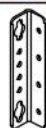














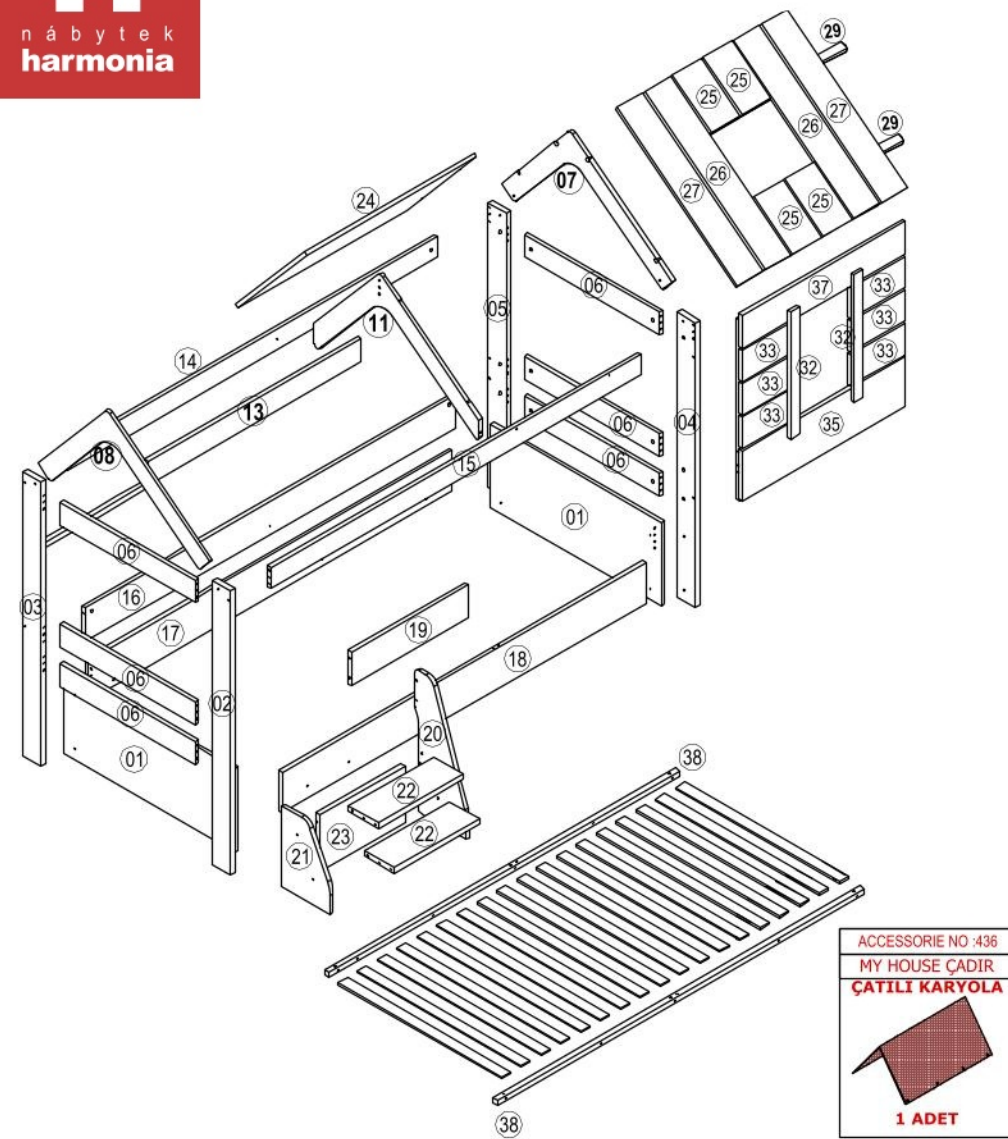


Domeçková postel se schůdky 90x200 BOOM



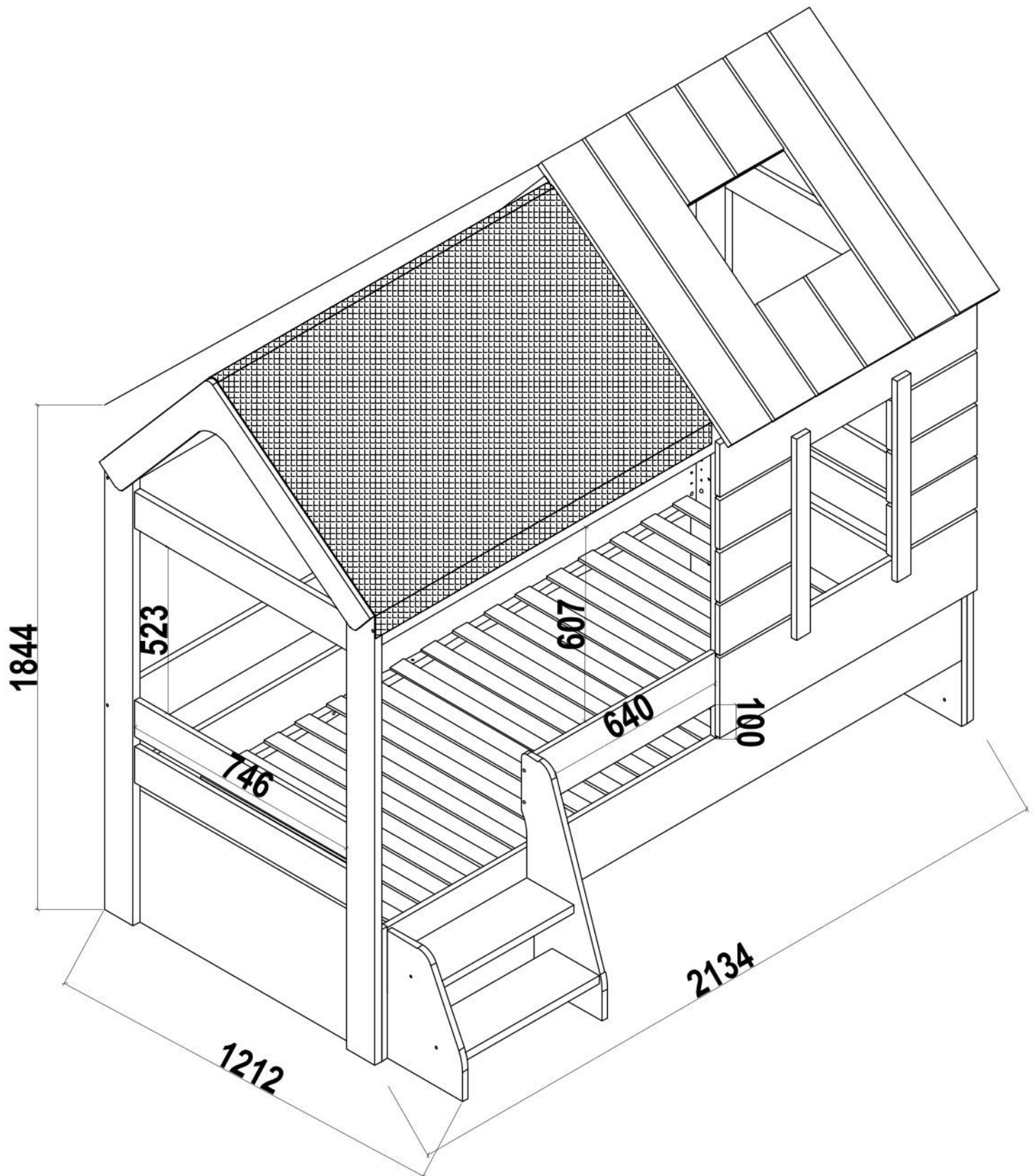
<p>ACCESSORIE NO : 031 KARYOLA MENTEŞE</p>  <p>4 ADET</p>	<p>ACCESSORIE NO : 114 M6*15 YSB VİDA</p>  <p>16 ADET</p>	<p>ACCESSORIE NO : 002 TİTUS MİNİFİX GÖVDE</p>  <p>27 ADET</p>	<p>ACCESSORIE NO : 041 MİNİFİX ARA MİL(68mm)</p>  <p>13 ADET</p>	<p>ACCESSORIE NO : 510 Ø15 METAL SİLİNDİRİK SOMUN</p>  <p>15 ADET</p>
<p>ACCESSORIE NO : 113 3.5*18 MM S. VİDASTI</p>  <p>20 ADET</p>	<p>ACCESSORIE NO : 001 MİNİFİX MİL 6 MM</p>  <p>1 ADET</p>	<p>ACCESSORIE NO : 131 4mm ALYAN ANAHTAR</p>  <p>2 ADET</p>	<p>ACCESSORIE NO : 238 M6*35 ALYAN VİDA</p>  <p>4 ADET</p>	<p>ACCESSORIE NO : 125 M6*60 ALYAN VİDA</p>  <p>15 ADET</p>
<p>ACCESSORIE NO : 376 M046 KORKULUK DESTEK</p>  <p>1 ADET</p>	<p>ACCESSORIE NO : 563 RAFİX MİL (11)</p>  <p>10 ADET</p>	<p>ACCESSORIE NO : 004 Ø8x30 KAVELA</p>  <p>54 ADET</p>	<p>ACCESSORIE NO : 105 M6*30 YSB VİDA</p>  <p>22 ADET</p>	<p>ACCESSORIE NO : 020 MİNİFİX TAPA KAYIN</p>  <p>27 ADET</p>

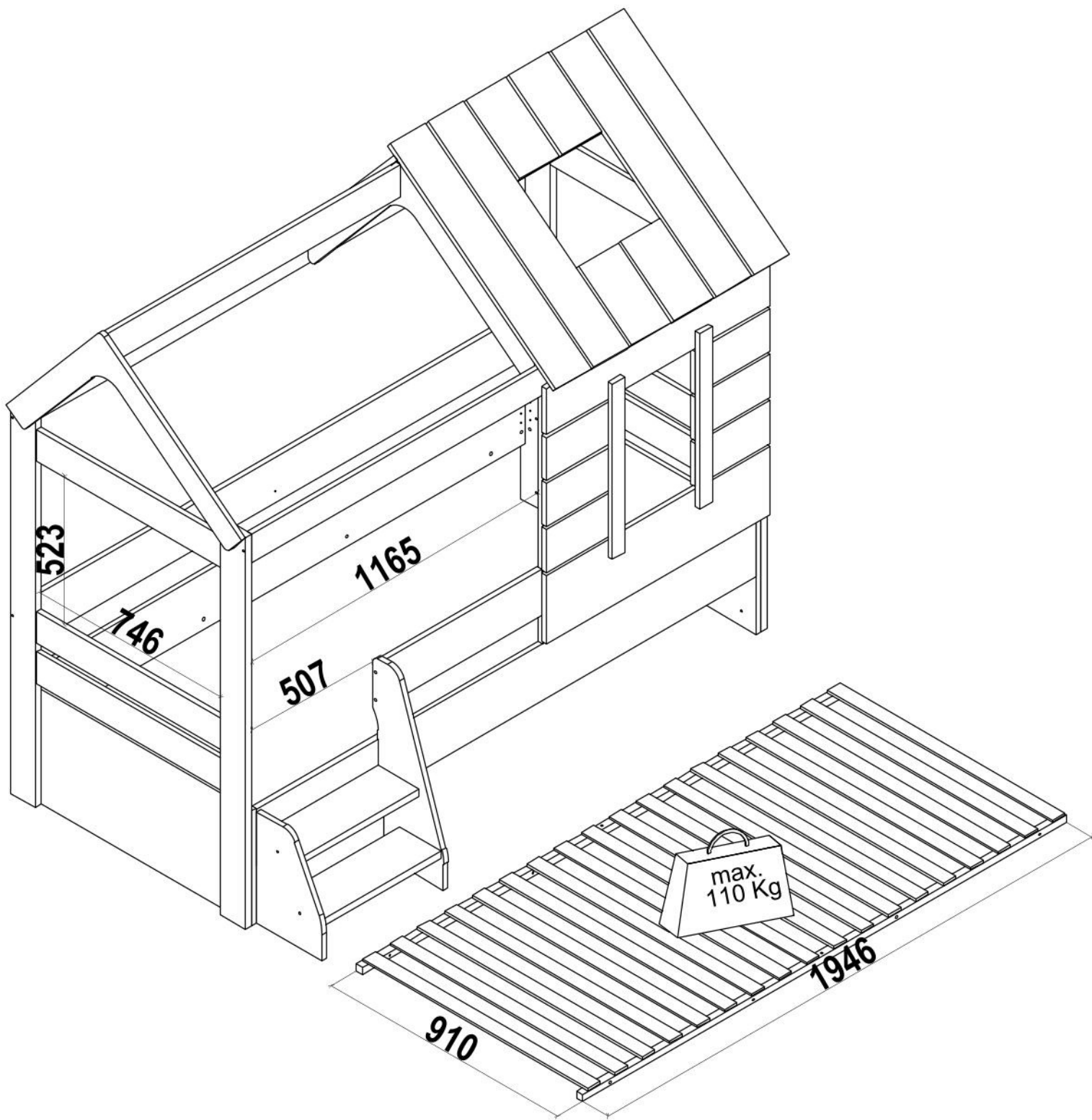


NO	ADET/PCS	ÖLÇÜ/DIMENSIONS	NO	ADET/PCS	ÖLÇÜ/DIMENSIONS	NO	ADET/PCS	ÖLÇÜ/DIMENSIONS
01	2	400 X 946	14	1	2046 X 100	24	1	940 X 588
02	1	1363 X 100	15	1	2046 X 100	25	4	273 X 161
03	1	1363 X 100	16	1	2046 X 160	26	2	846 X 147
04	1	1363 X 100	17	1	2010 X 196	27	2	846 X 147
05	1	1363 X 100	18	1	2010 X 196	29	2	896 X 64
06	6	746 X 110	19	1	644 X 160	30	1	867 X 80
07	1	721 X 617	20	1	676 X 285	31	1	828 X 50
08	1	721 X 617	21	1	387 X 266	32	2	610 X 50
11	1	756 X 667	22	2	470 X 166	33	6	300 X 155
13	1	1178 X 112	23	1	470 X 270	35	1	900 X 241
						37	1	900 X 160
						38	2	1944 X 35

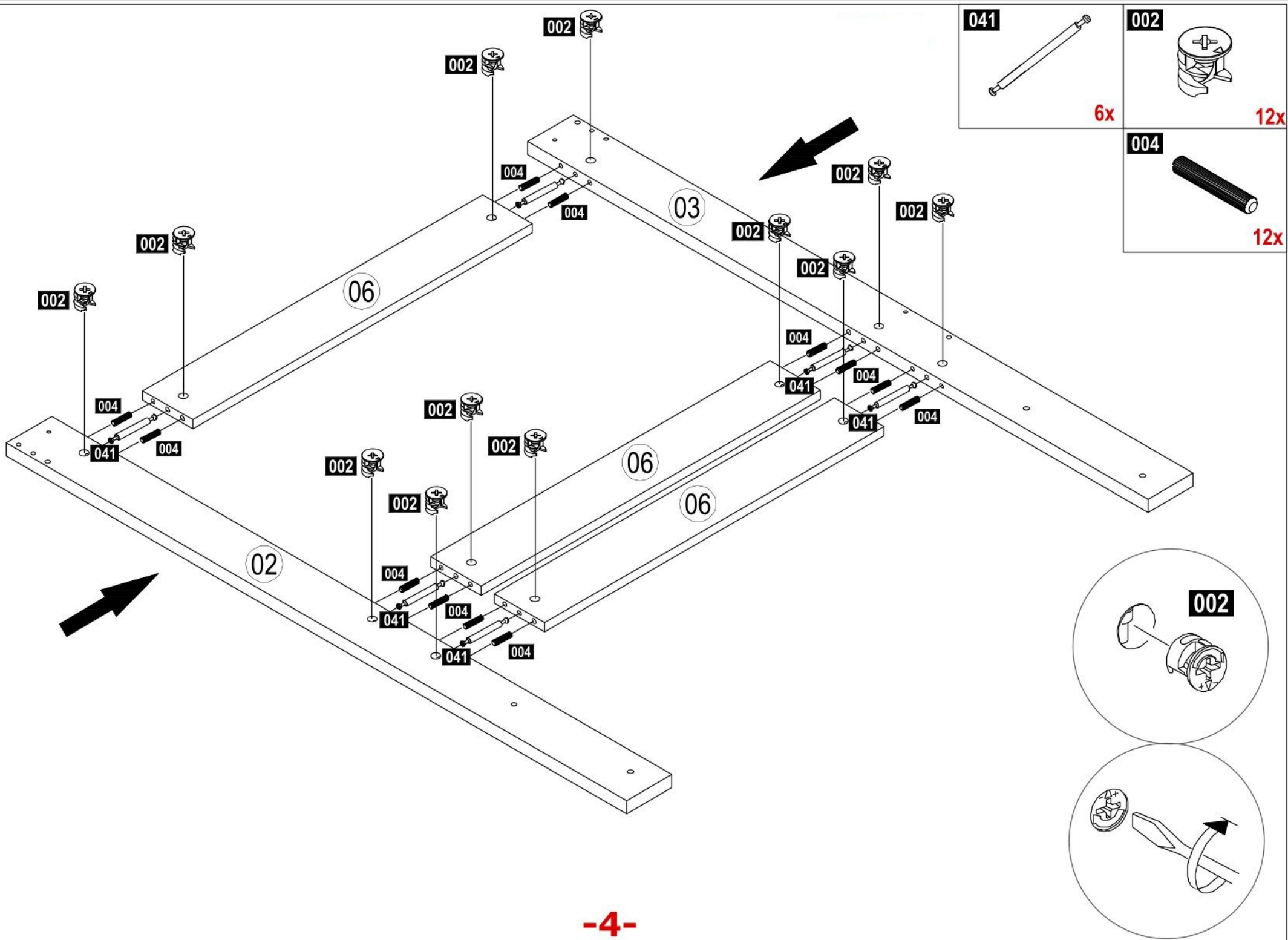
PLEASE ORDER THE ACCESSORIES ACCORDING TO THE REFERENCE NUMBER ON THE DRAWING(EXAMPLE ACCESSORIE NO-008 RAFİX MİL 1.PCS.)

PLEASE ORDER THE SPARE PARTS ACCORDING TO THE REFERENCE NUMBER ON THE DRAWING

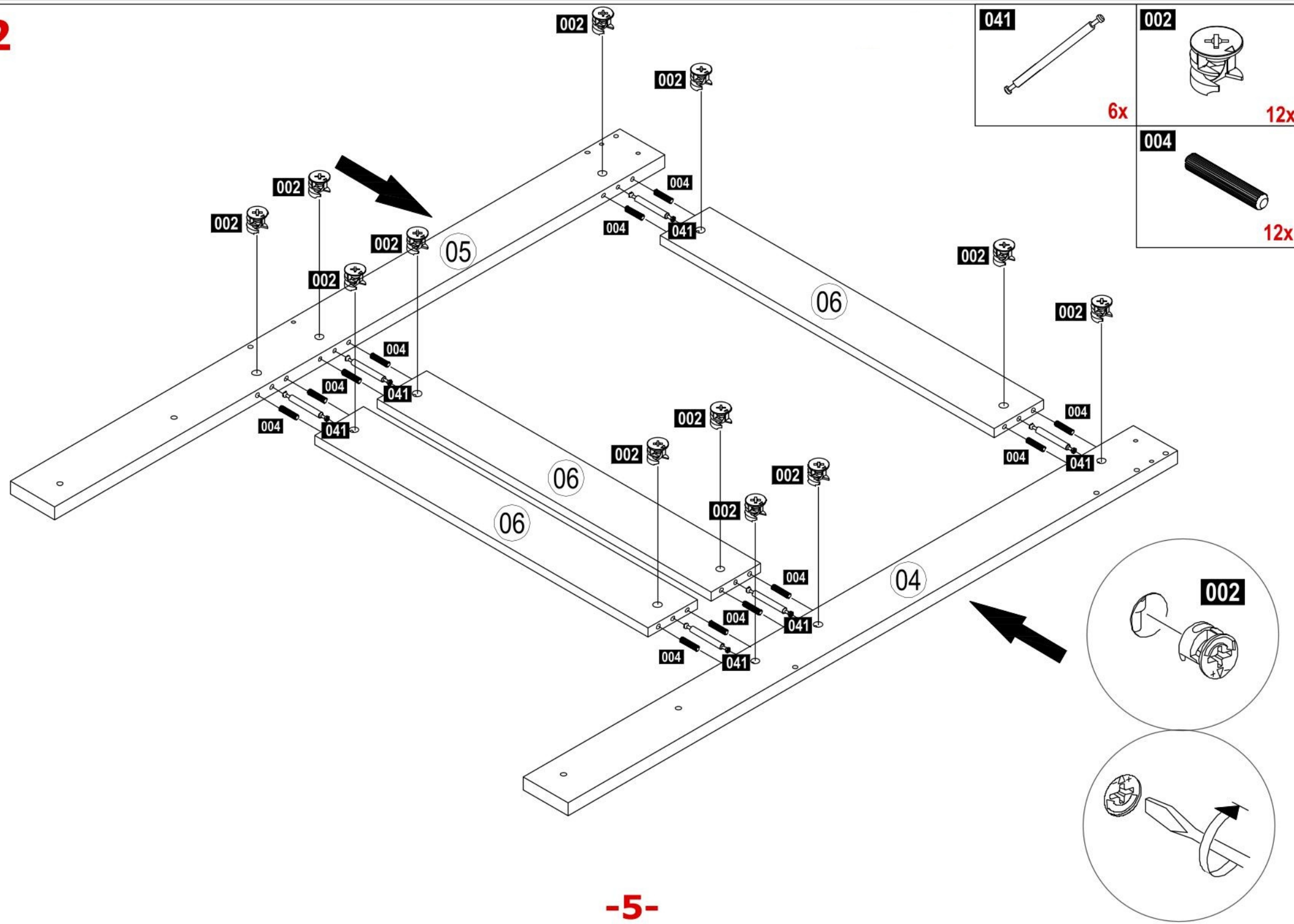




1



2

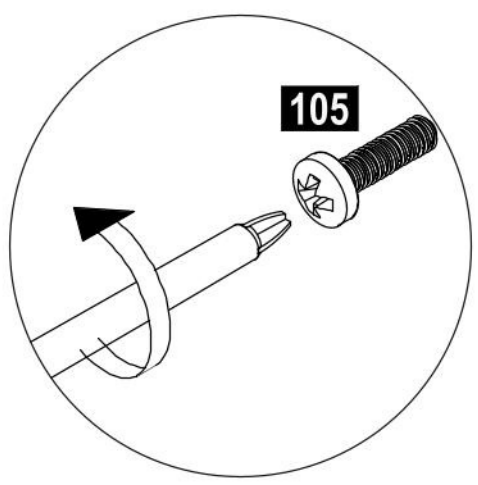


3

105



4x



105

105

01

105

105

05

04

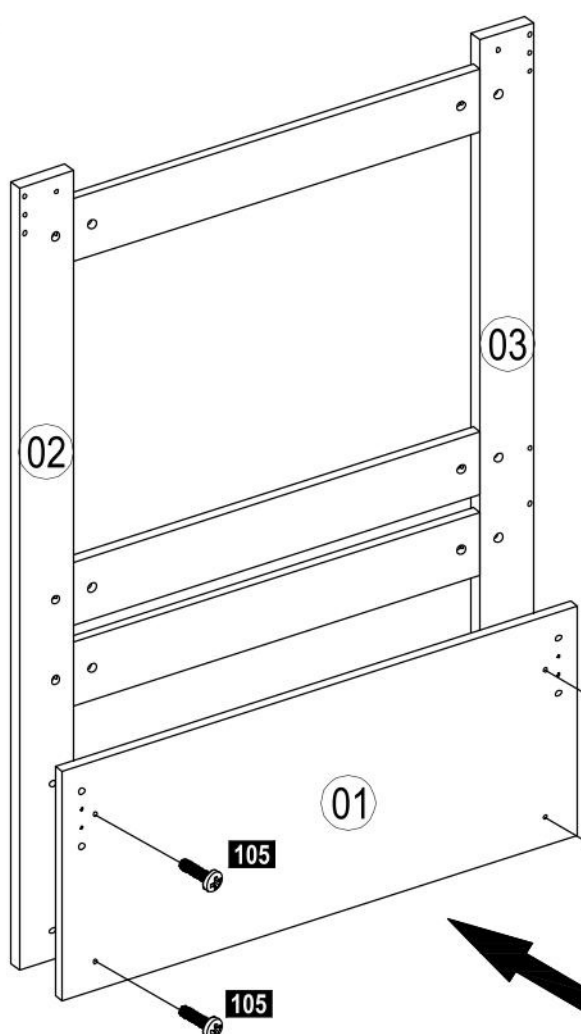


4

105



4x



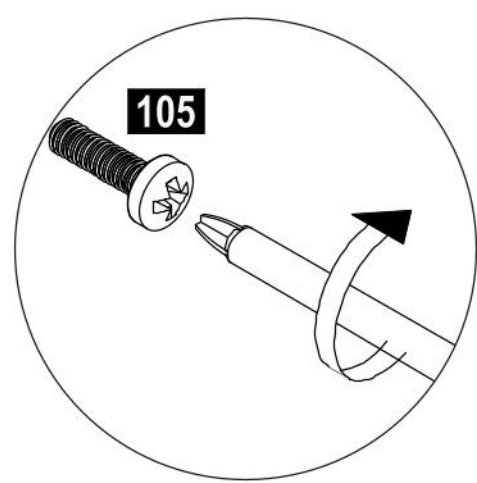
105

105

01

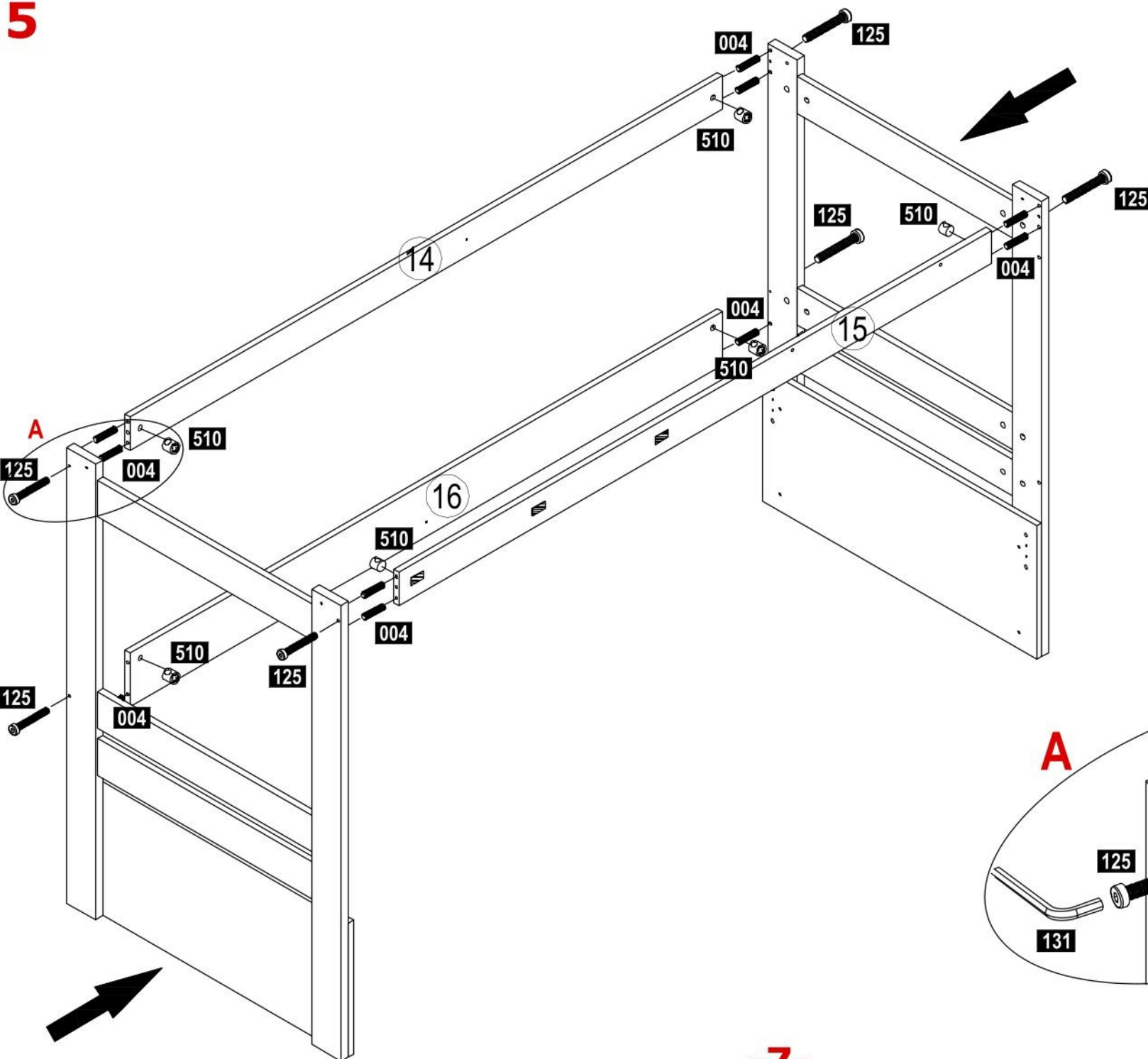
105





105

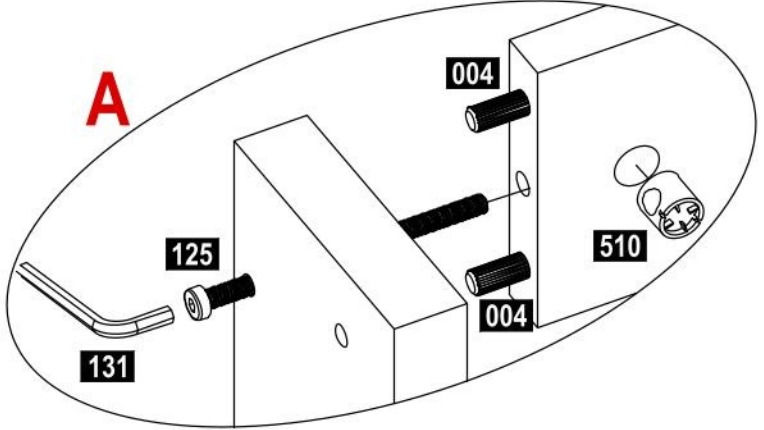


105

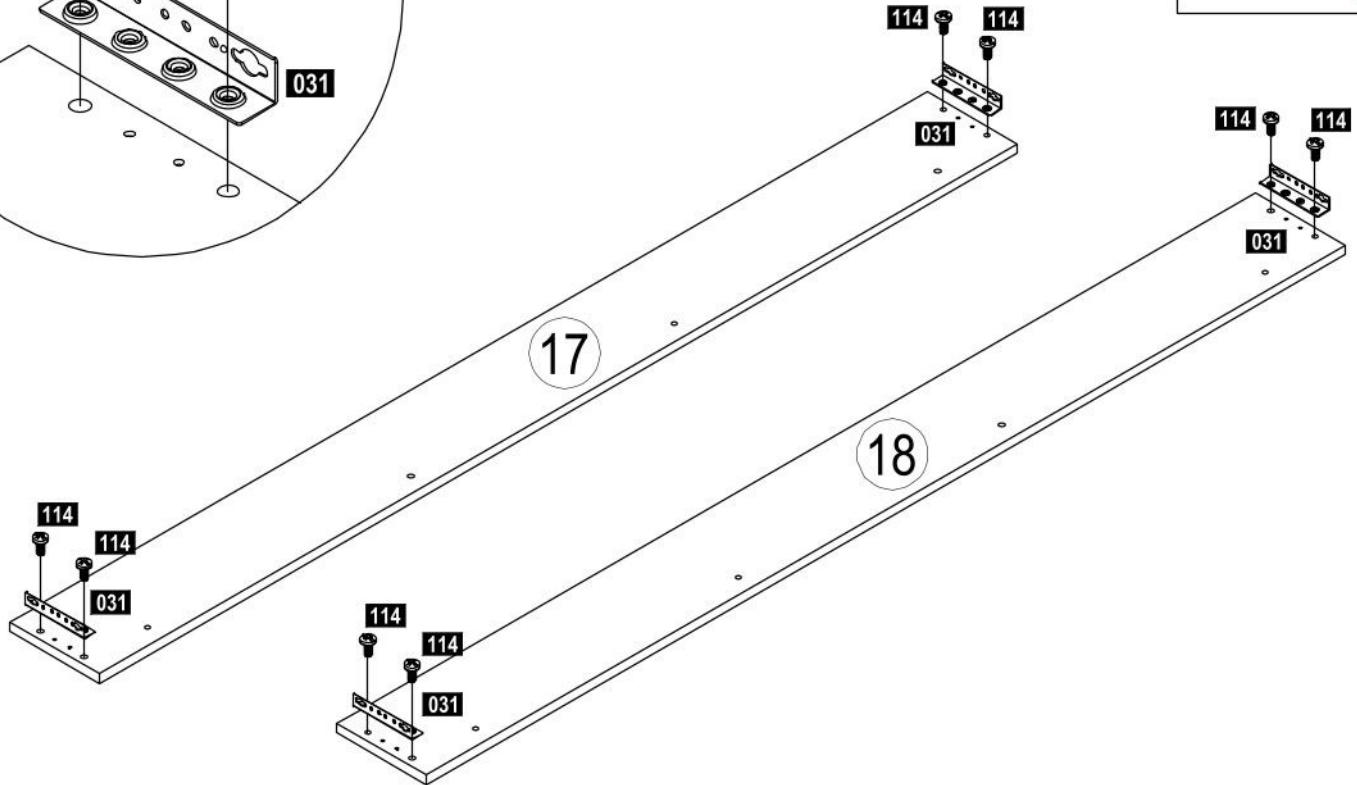
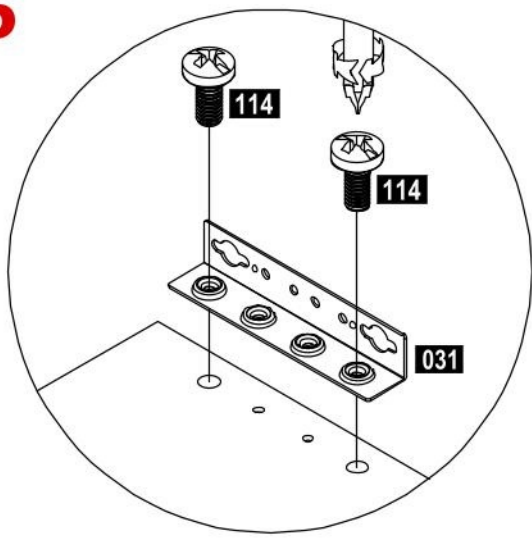
5



125  6x	510  6x
004  10x	131  1x



6



114



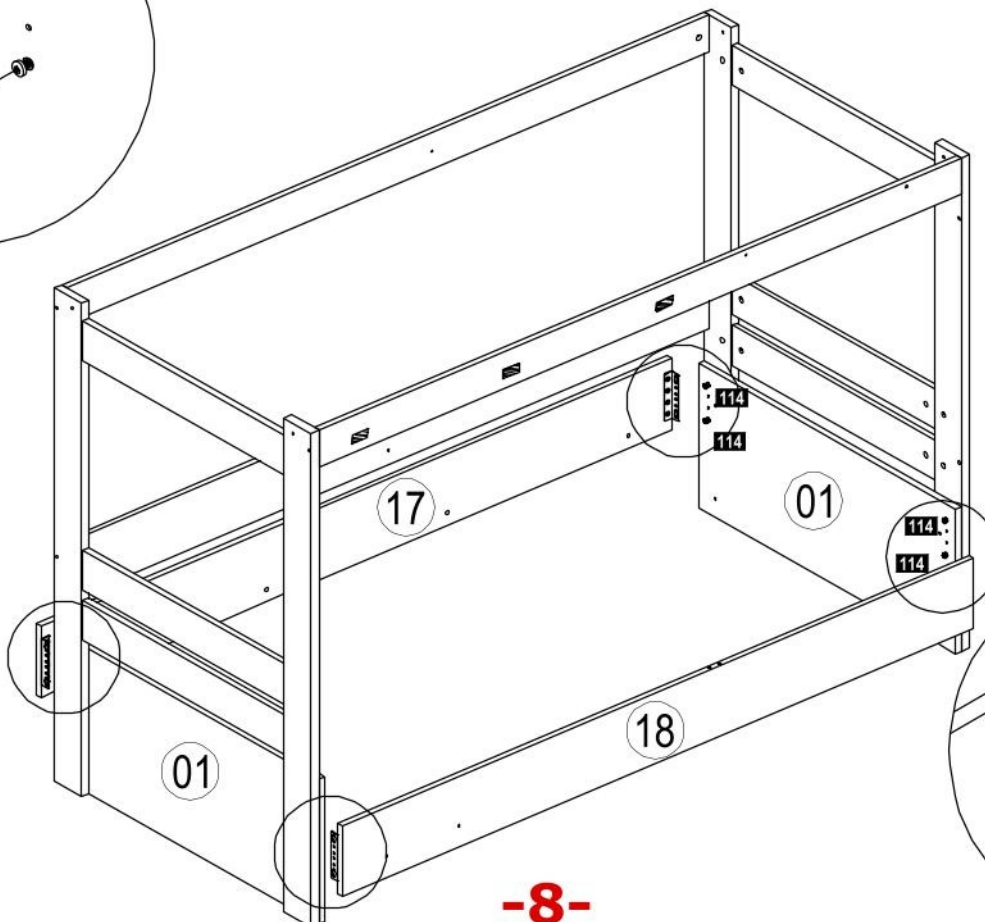
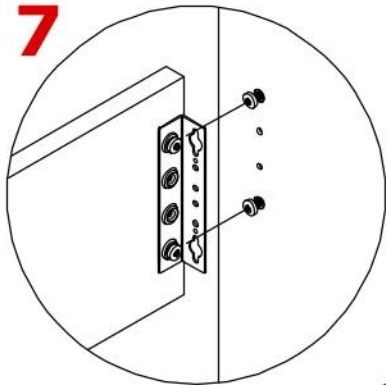
8x

031



4x

7



114



8x

113



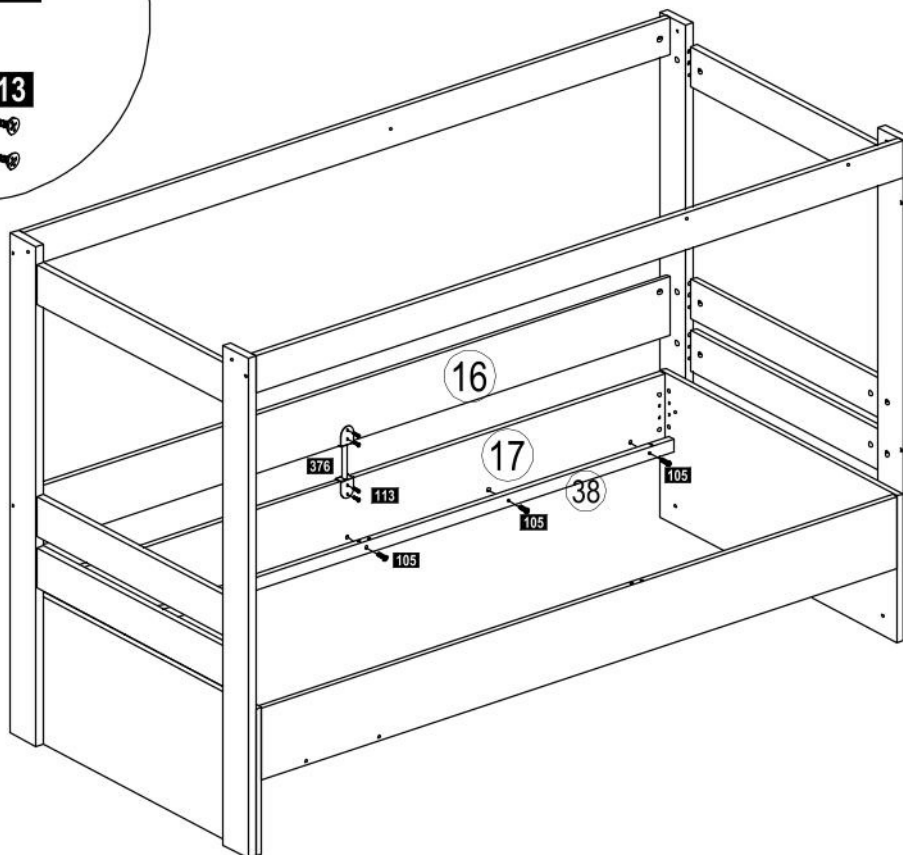
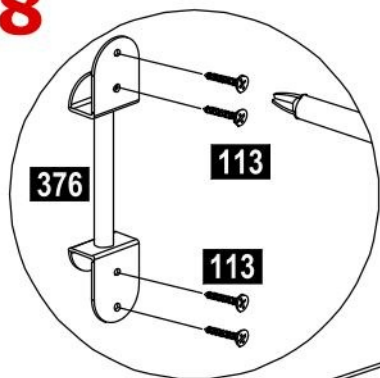
16x

092



092

8



376



1x

105

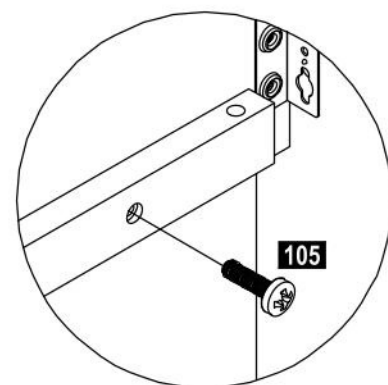


5x

113

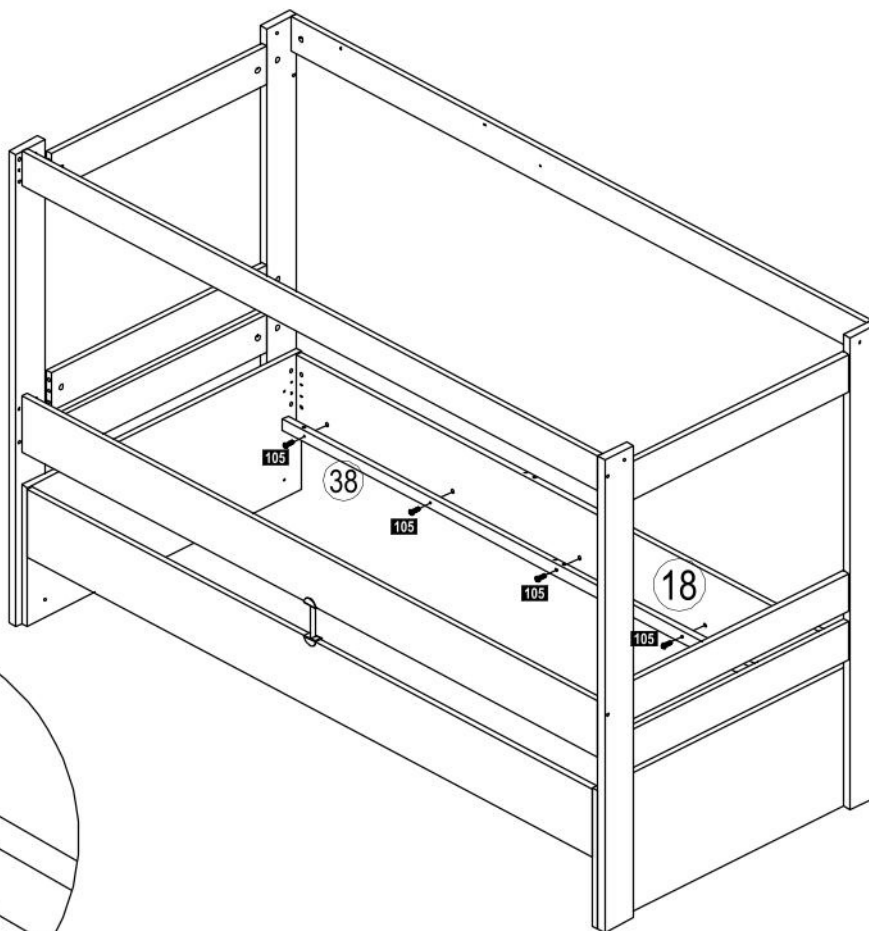


4x



105

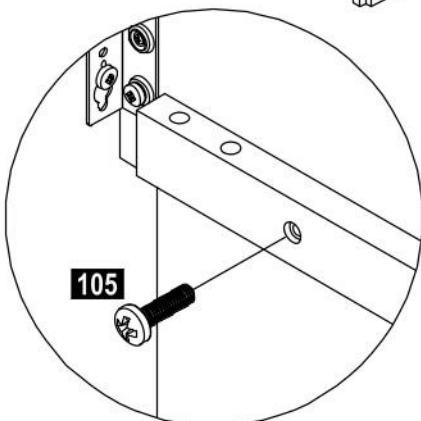
9



105

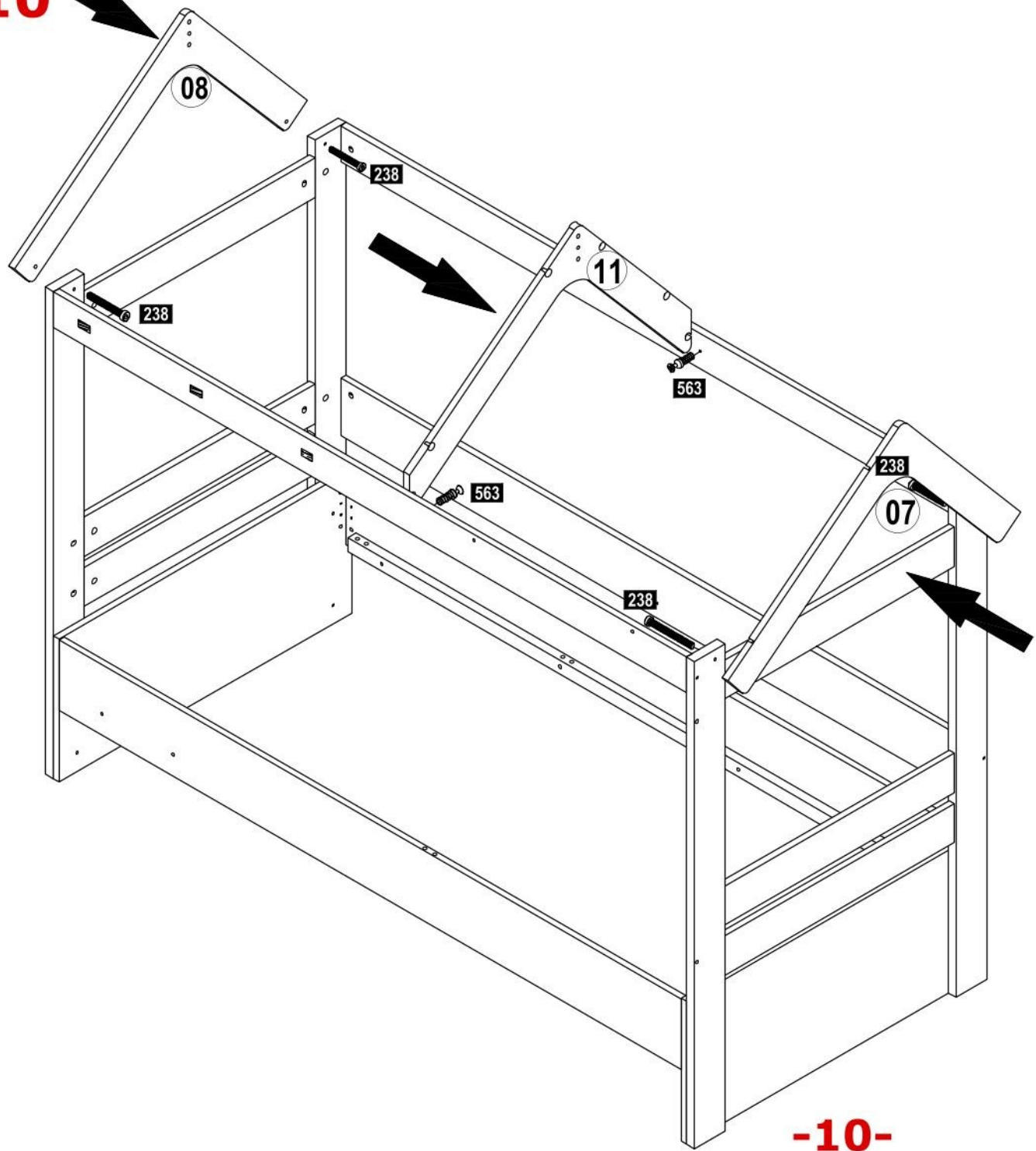


5x



105

10

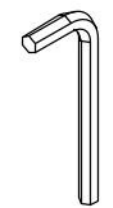


238



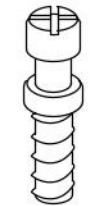
4x

131

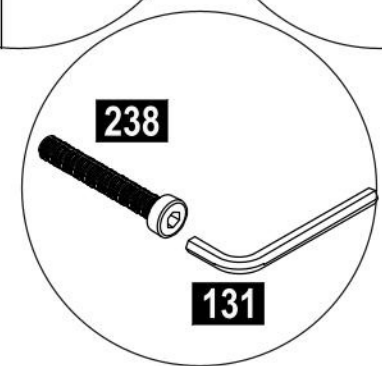
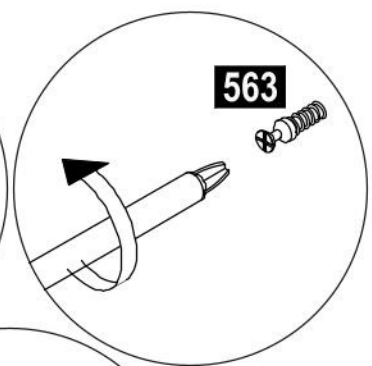
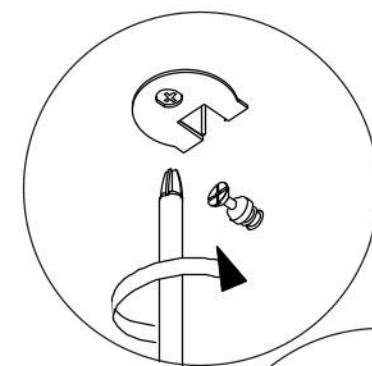


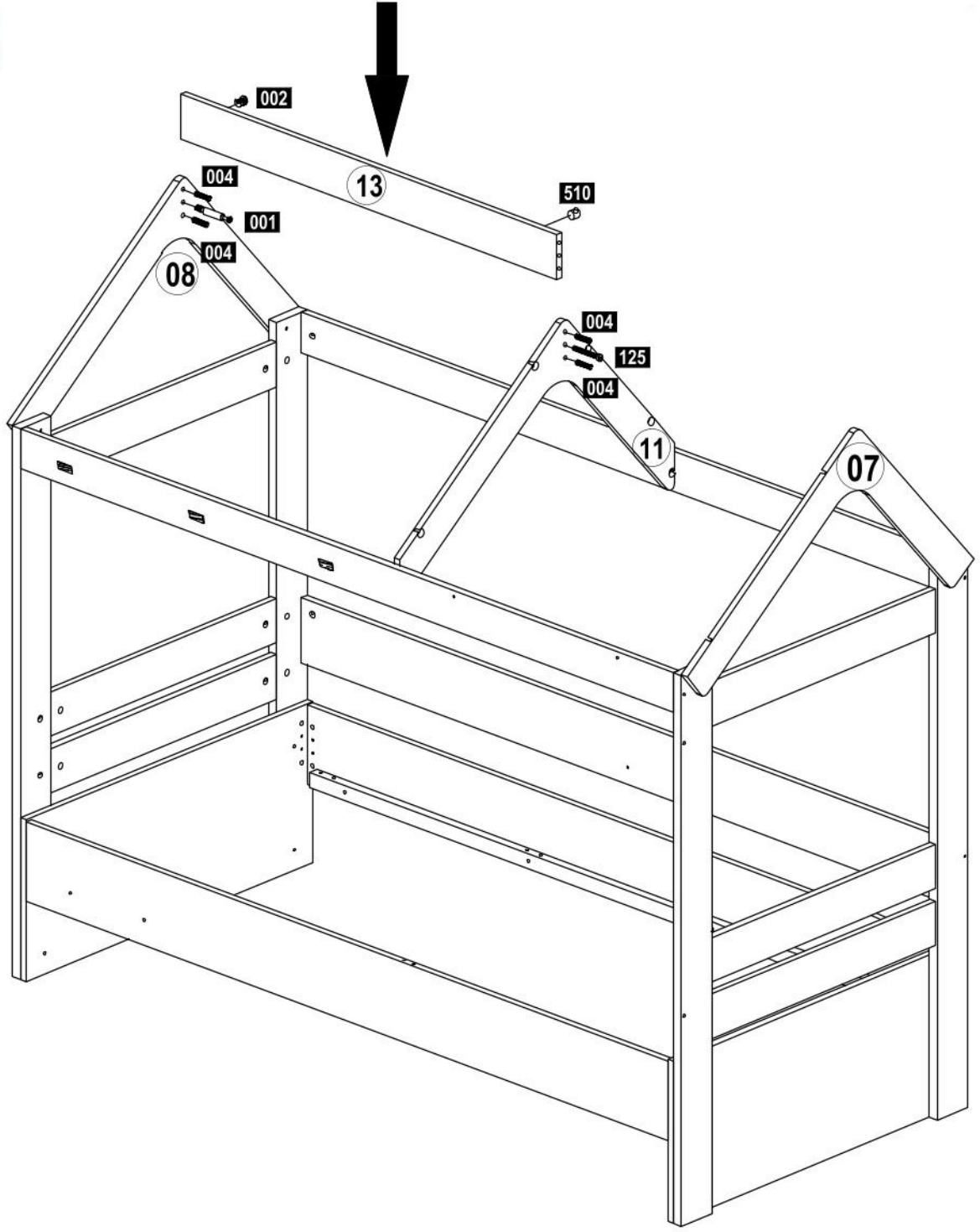
1x







563

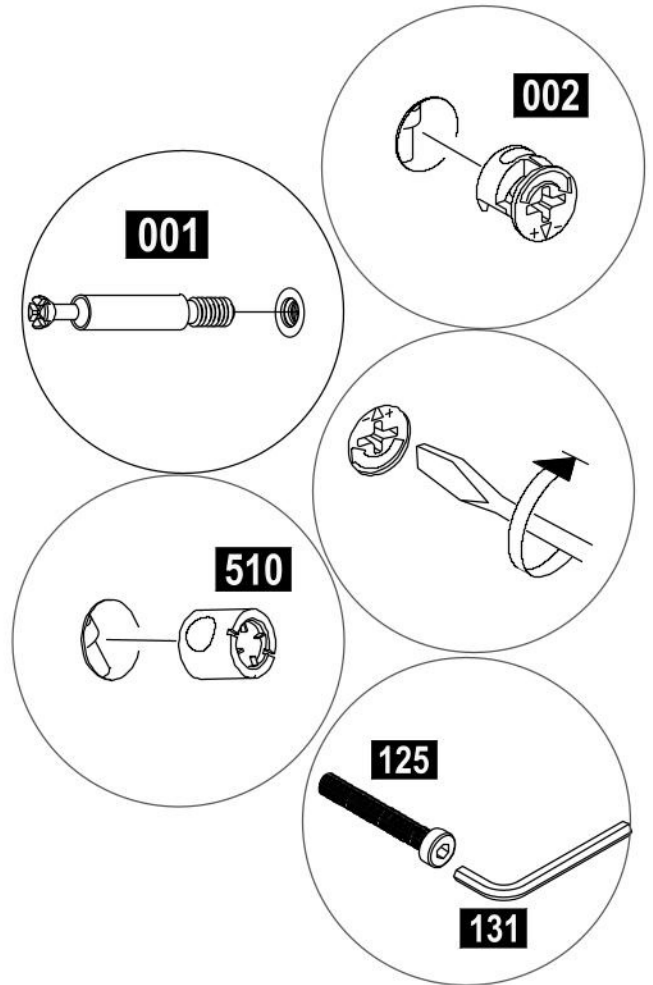


2x

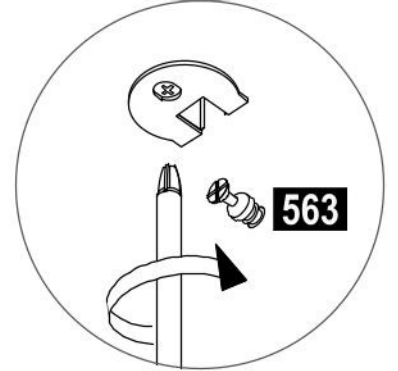
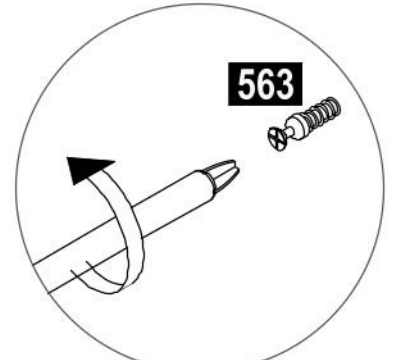
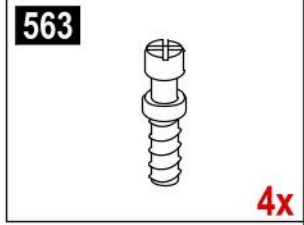
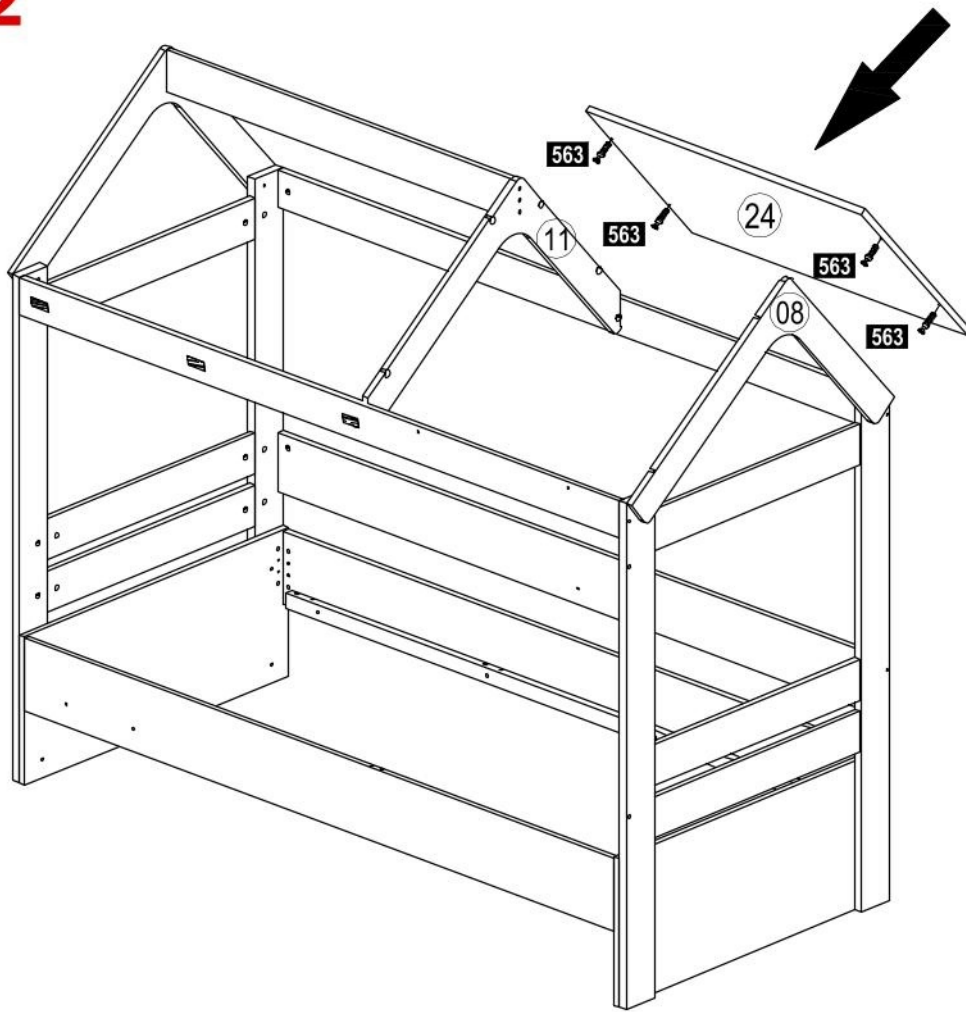




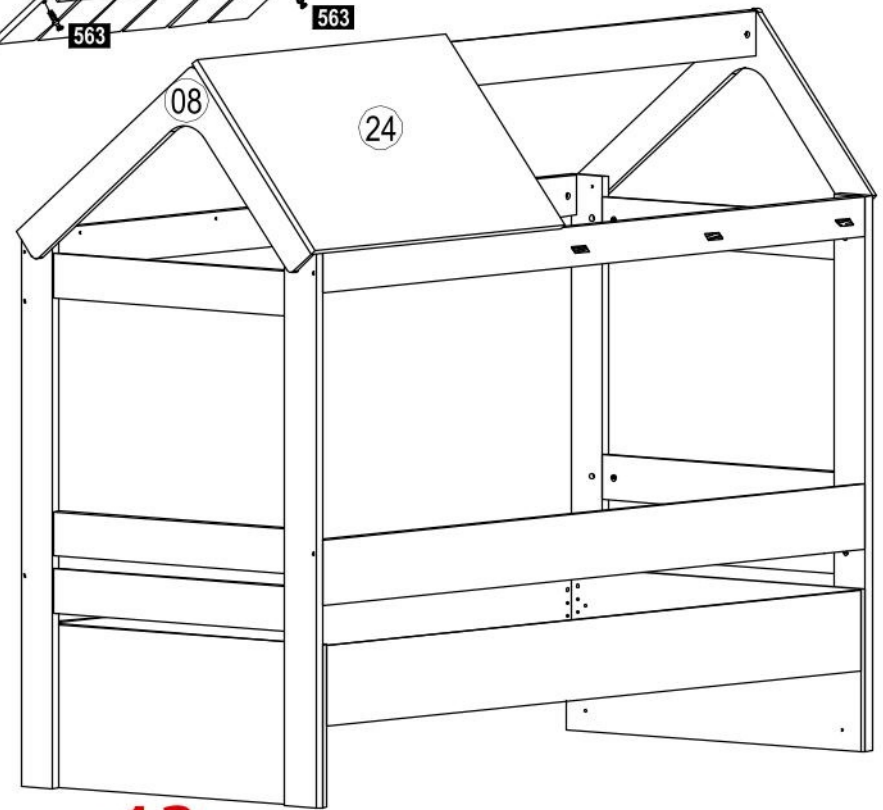
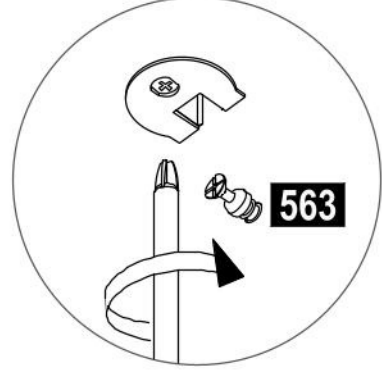
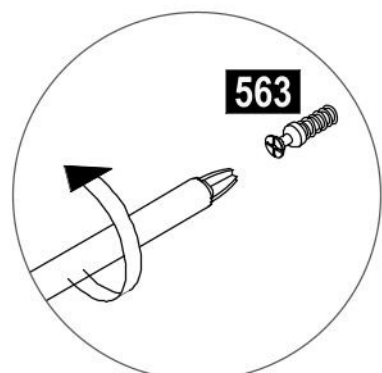
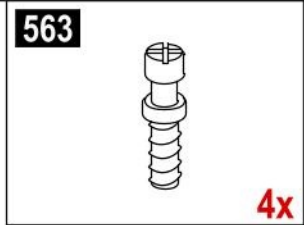
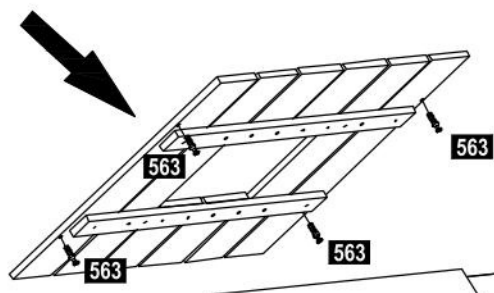
<p>004</p>  <p>4x</p>	<p>510</p>  <p>1x</p>	<p>125</p>  <p>1x</p>
<p>131</p>  <p>1x</p>	<p>001</p>  <p>1x</p>	<p>002</p>  <p>1x</p>

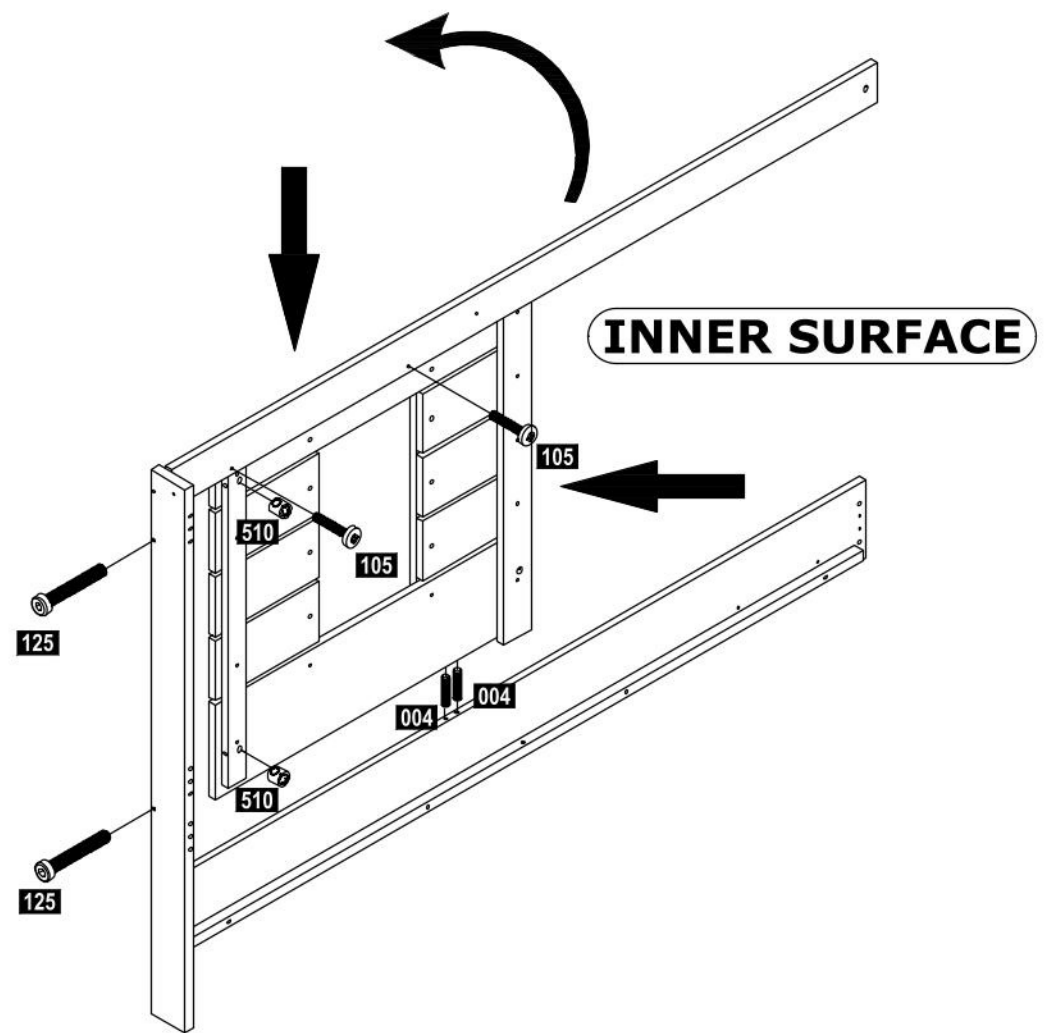
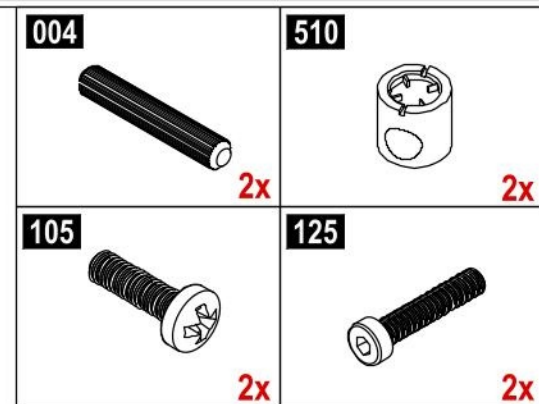
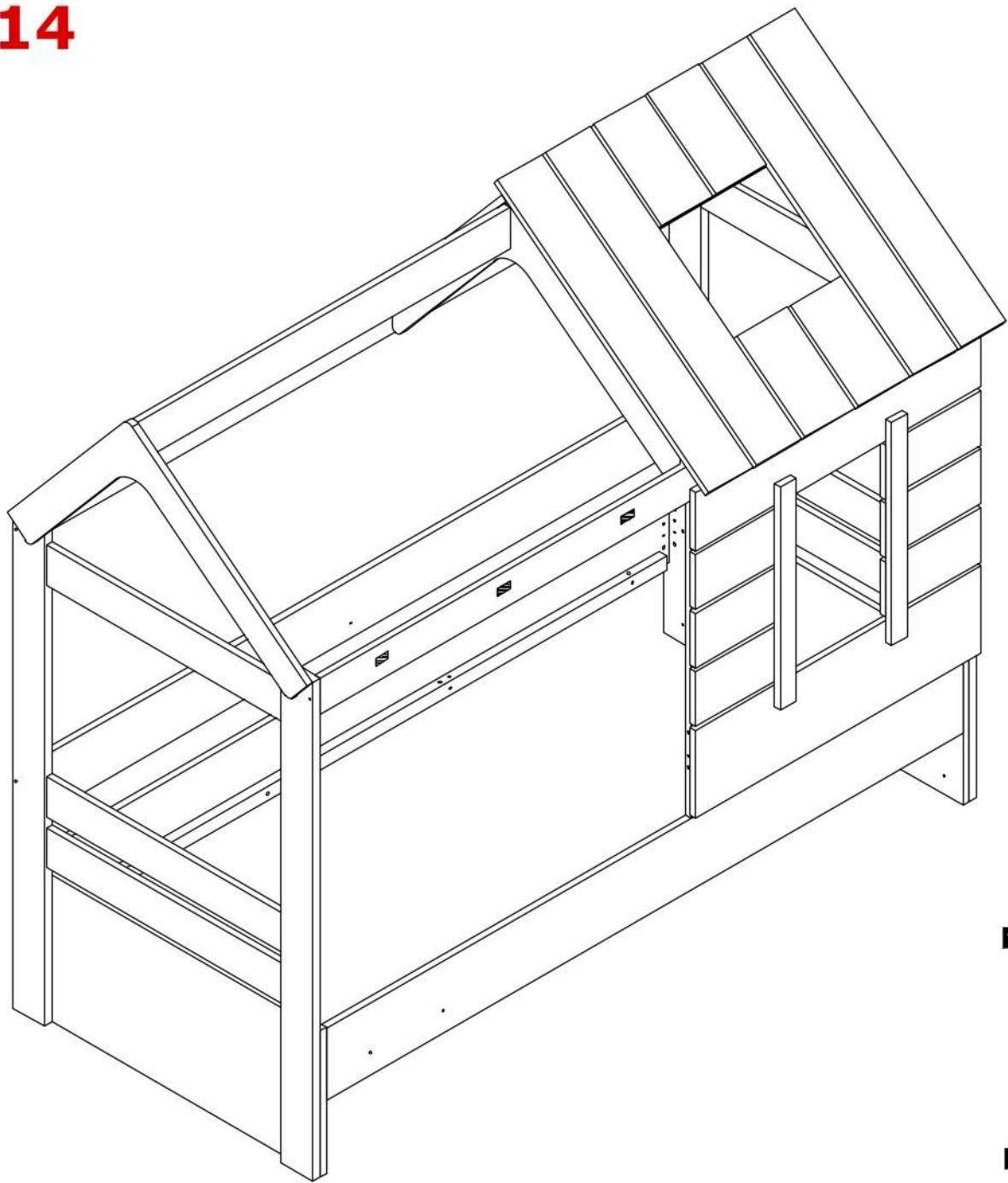


12

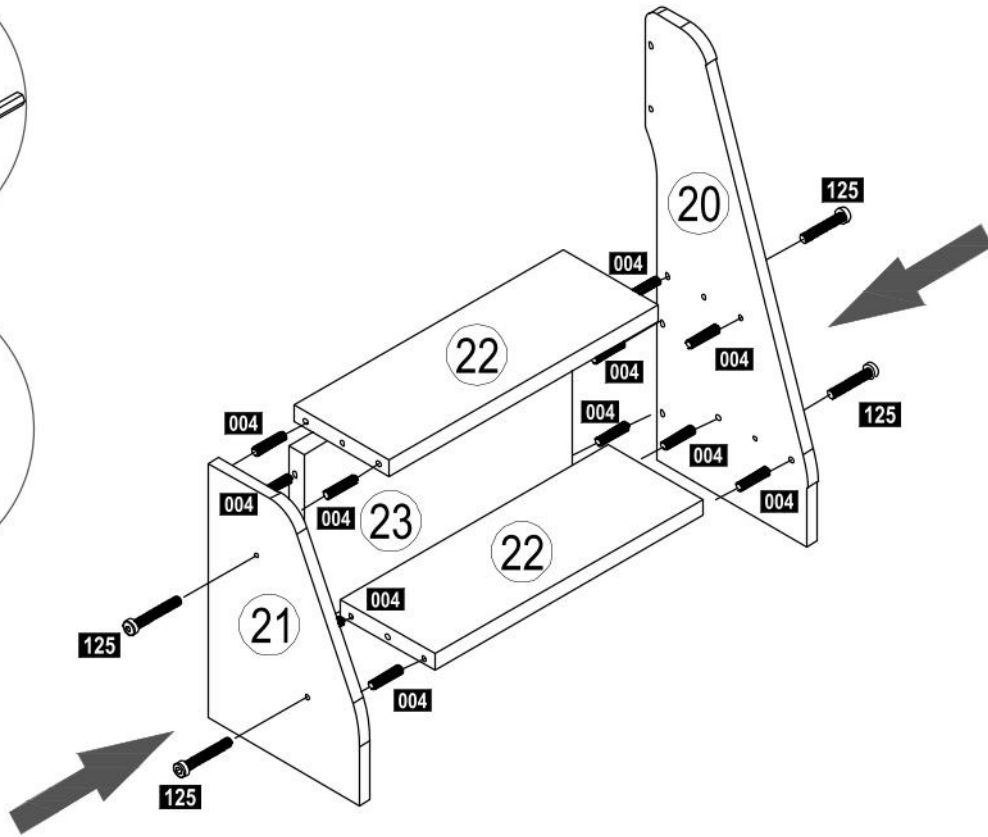
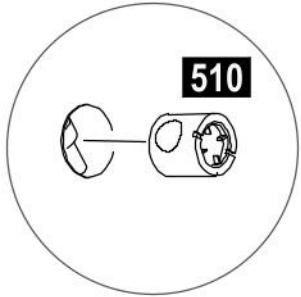


13

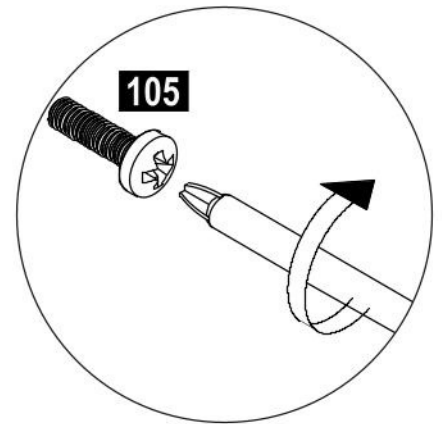
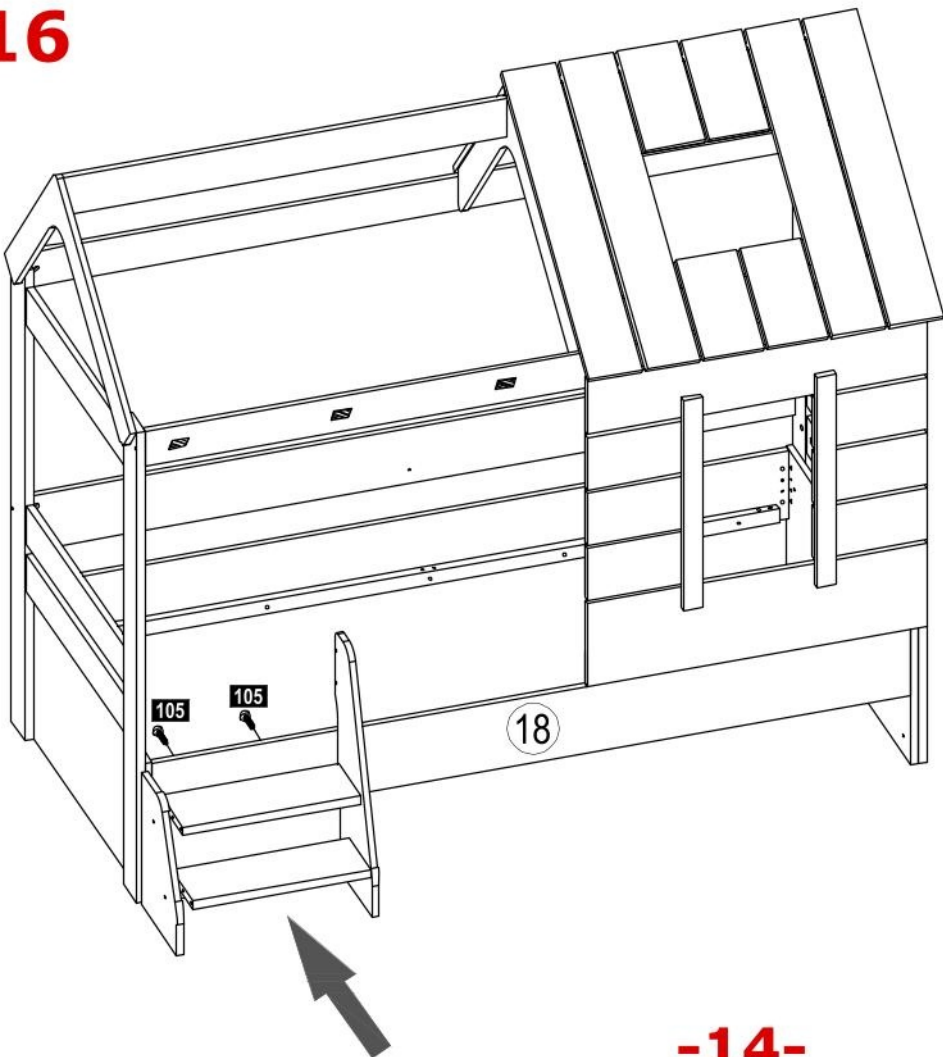


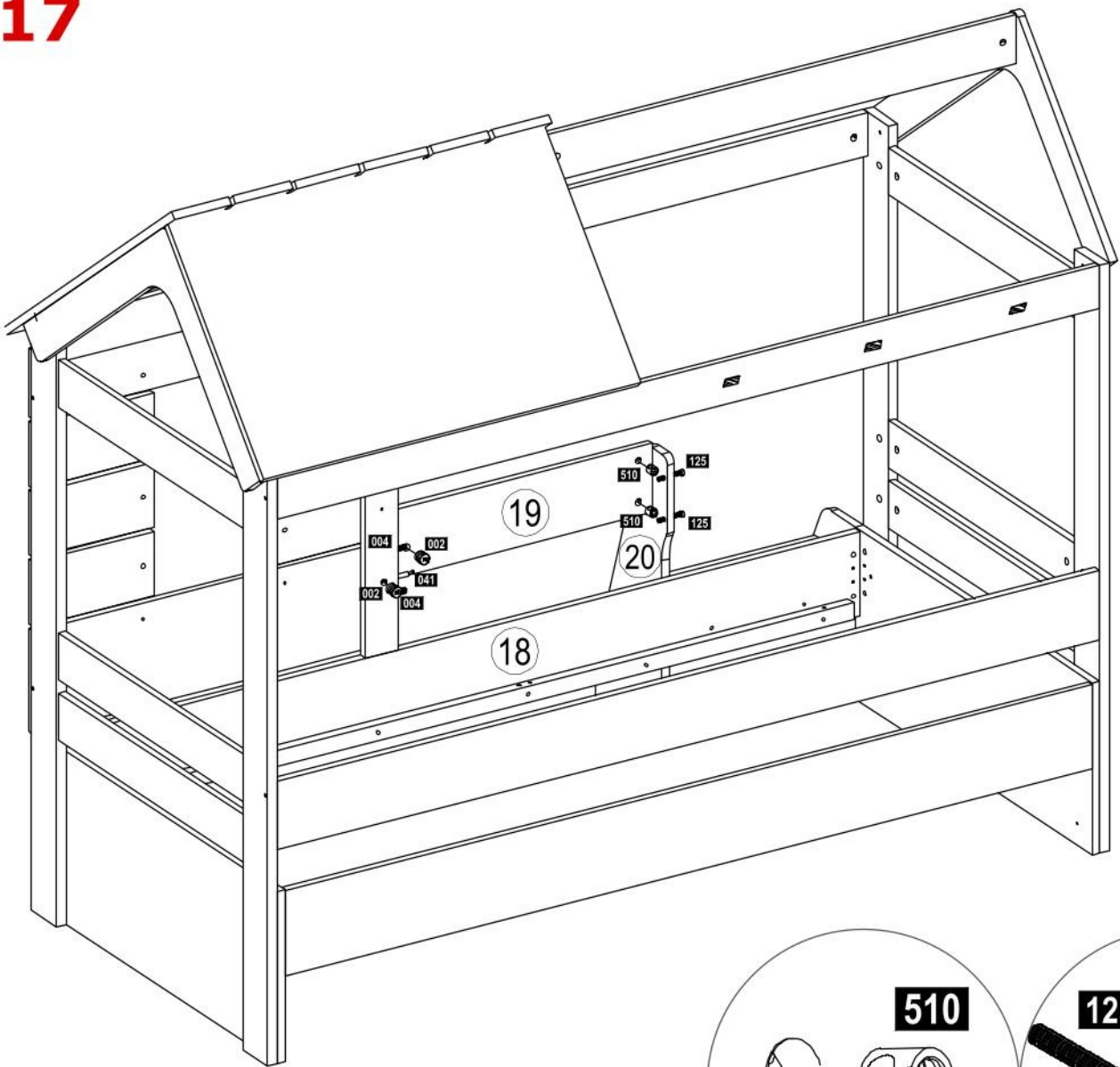




15

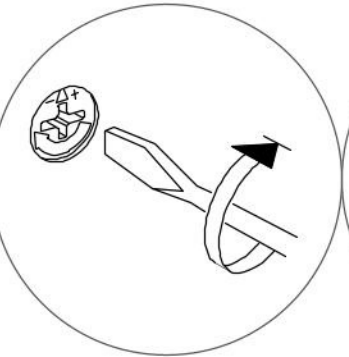
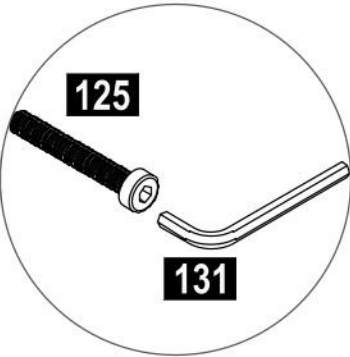
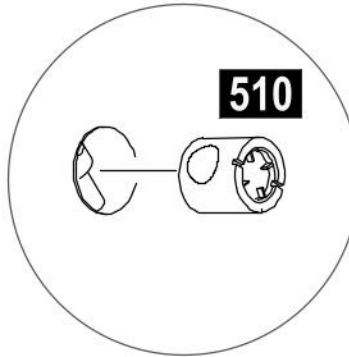


16

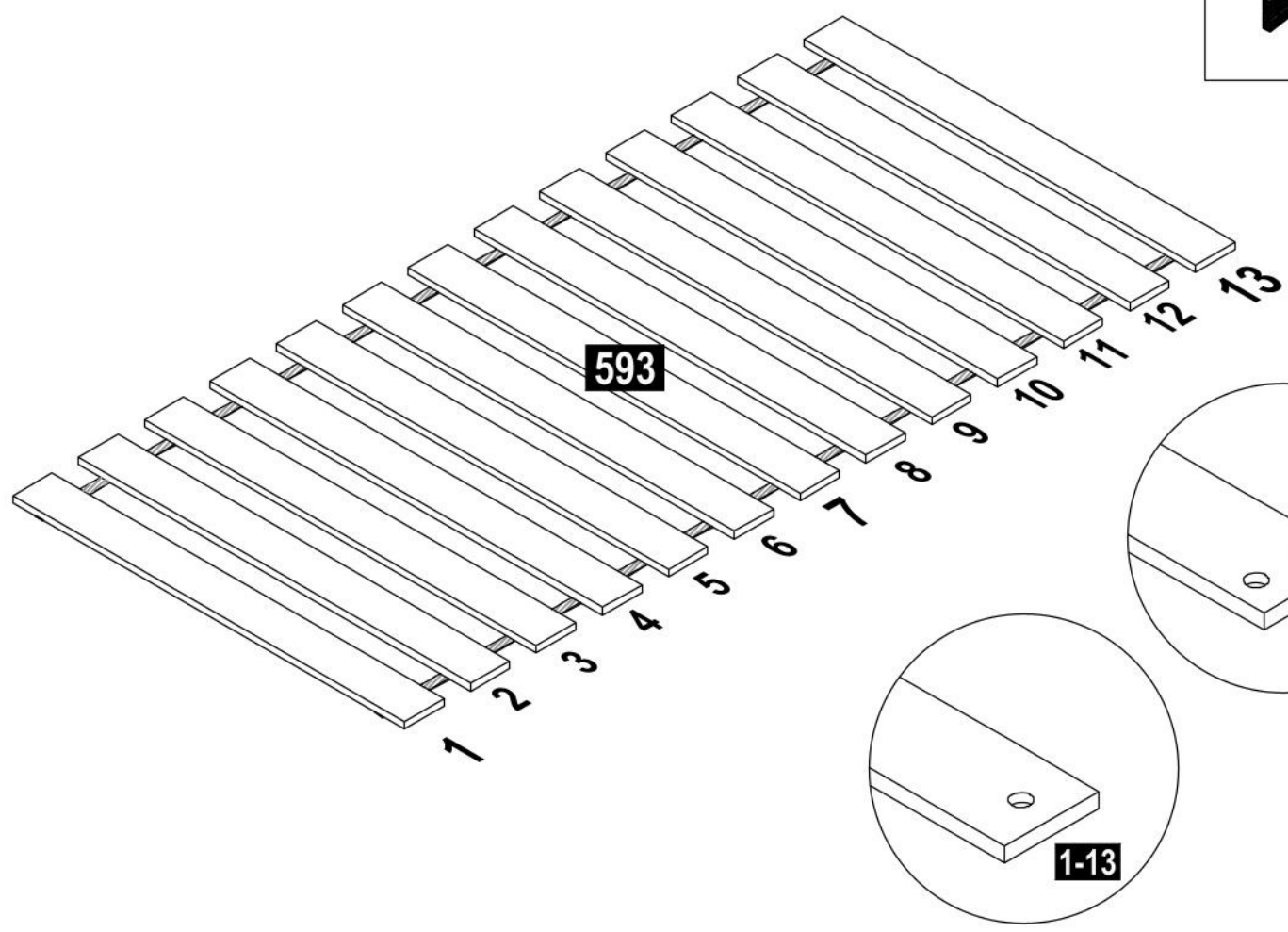
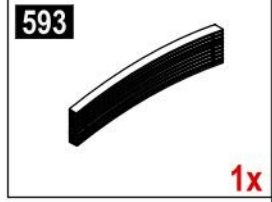




004  2x	510  2x
131  1x	125  2x
041  1x	002  2x



18



19

