






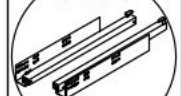

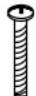


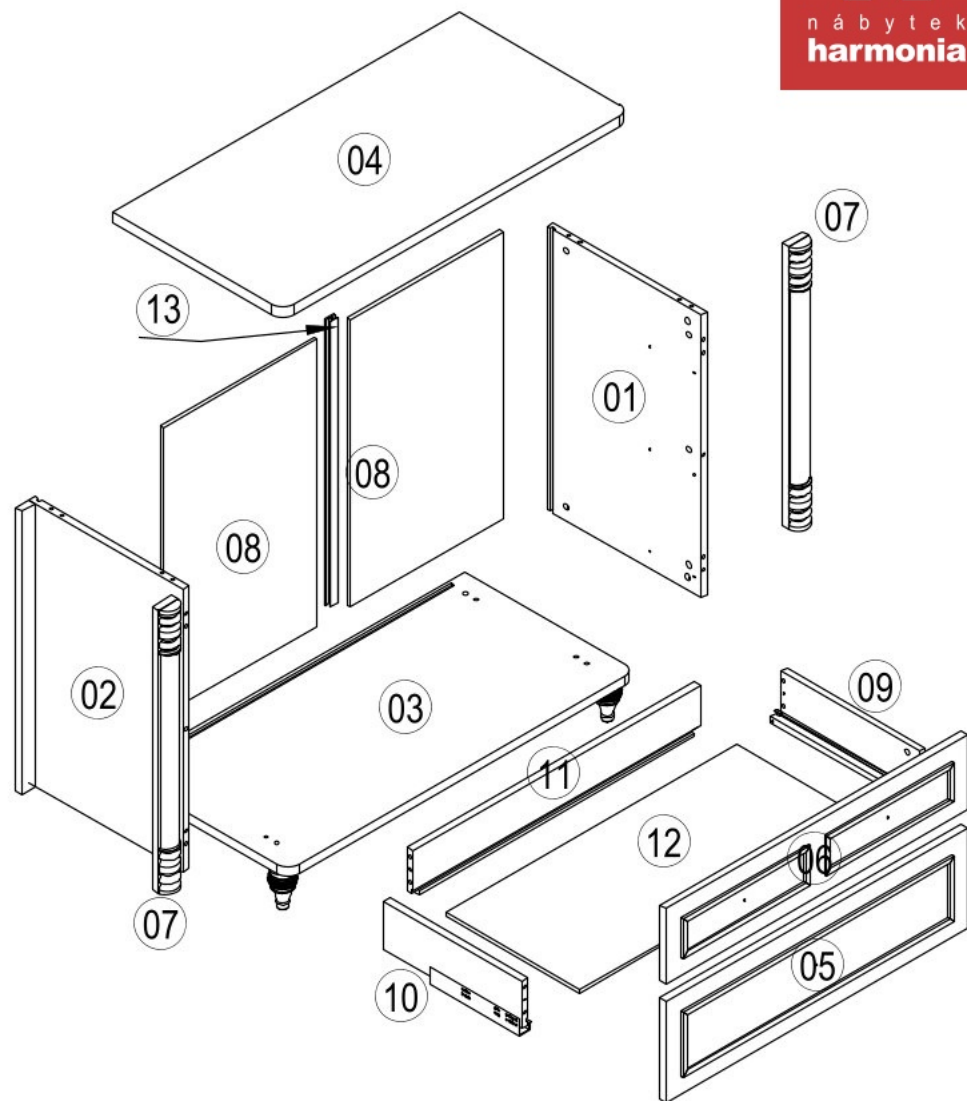


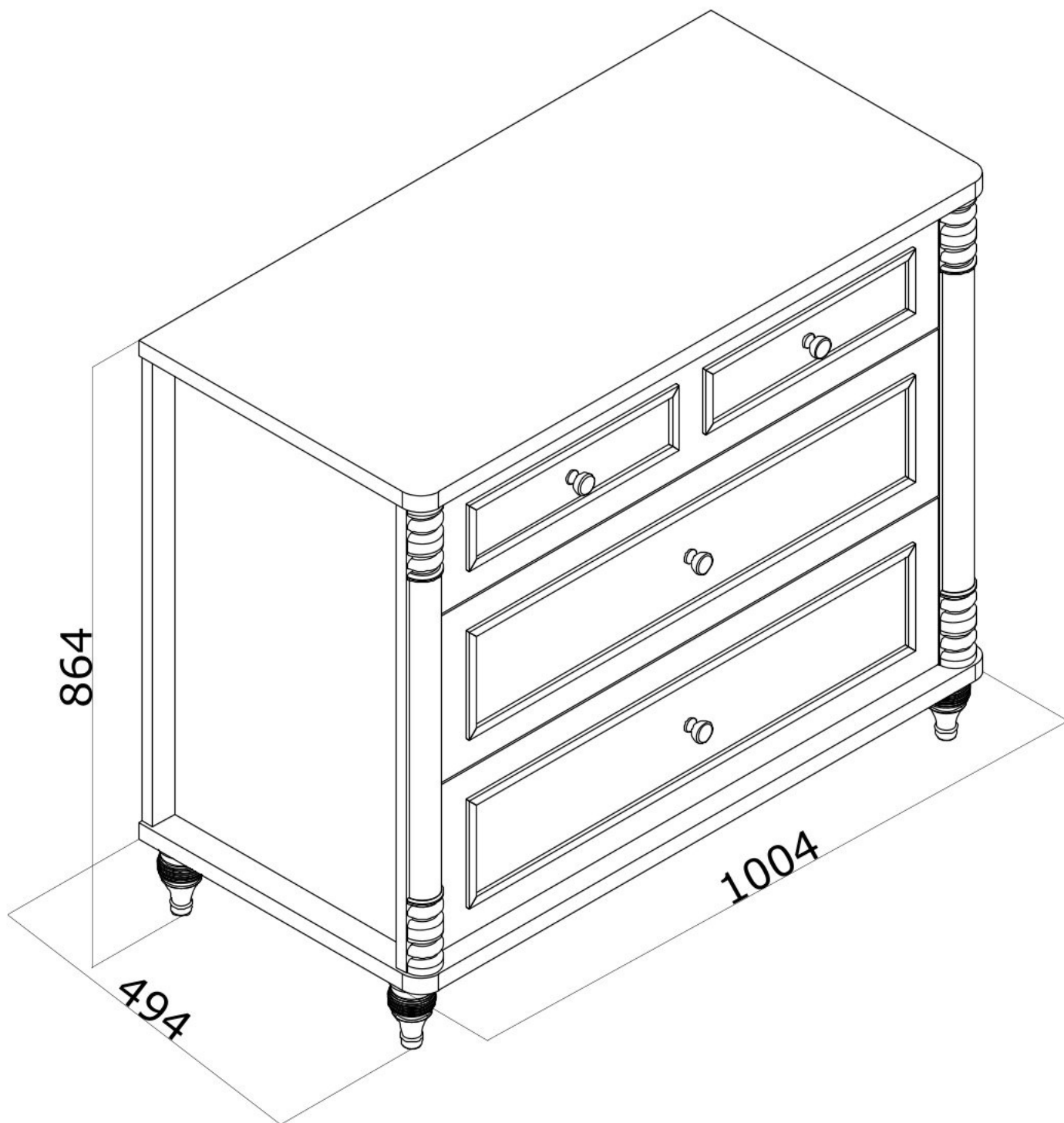
Zásuvková komoda LUXOR

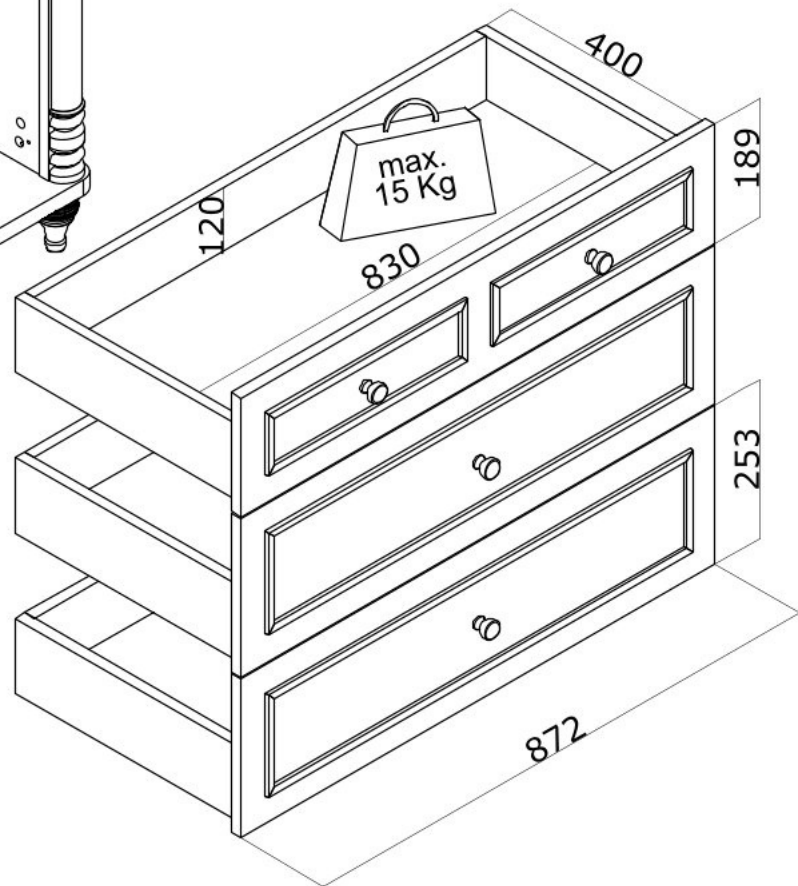
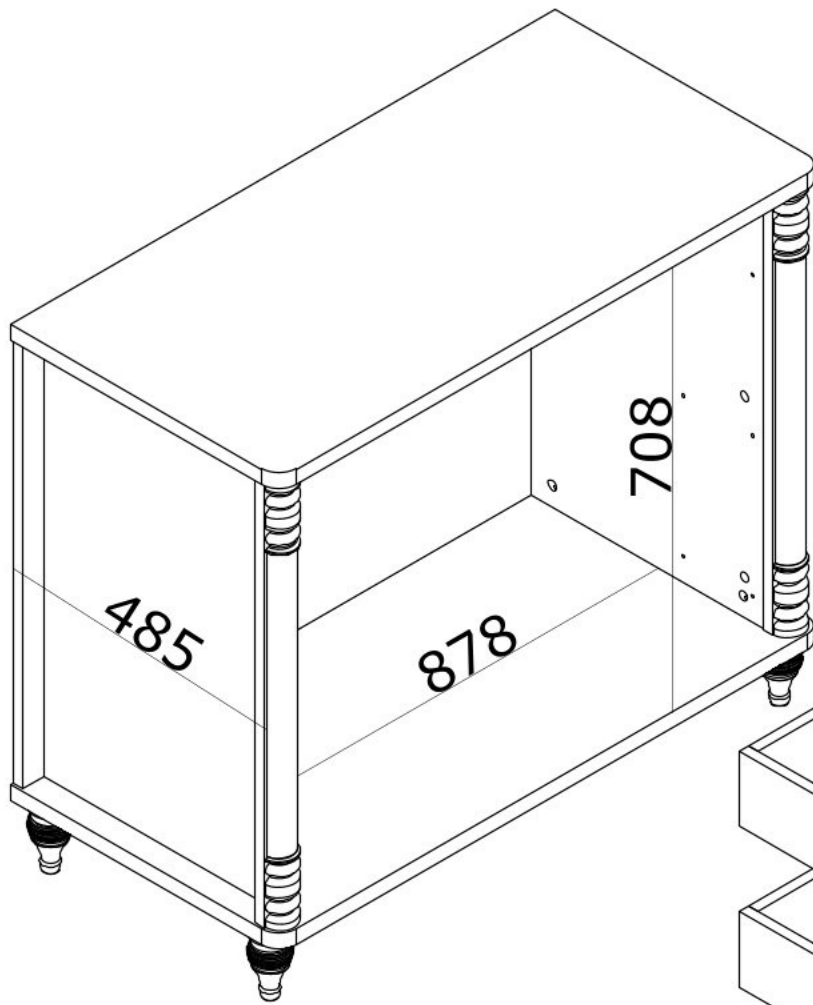


<p>ACCESSORIE NO : 317 10'LUK MINIFIX MIL</p>  <p>32 ADET</p>	<p>ACCESSORIE NO : 002 TITUS MINIFIX GÖVDE</p>  <p>32 ADET</p>	<p>ACCESSORIE NO : 004 Ø8x30 KAVELA</p>  <p>30 ADET</p>	<p>ACCESSORIE NO : 020 MINIFIX TAPA</p>  <p>12 ADET</p>	<p>ACCESSORIE NO : 011 ARKALIK SABİTLEME 3.5x25 S.VİDASI</p>  <p>8 ADET</p>
<p>ACCESSORIE NO : 406 PLS. RAF PİMİ EURO VİDALI</p>  <p>6 ADET</p>	<p>ACCESSORIE NO : 120 6.3*13 MM EURO VİDA</p>  <p>18 ADET</p>	<p>ACCESSORIE NO : 351 TANDEM RAY 400 (SAMET)</p>  <p>3 TAKIM</p>	<p>ACCESSORIE NO : 484 NİL TEKLİ KULP BEYAZ</p>  <p>6 ADET</p>	<p>ACCESSORIE NO : 533 3,9*28 MM PLS.VİDA</p>  <p>6 ADET</p>
<p>ACCESSORIE NO : 485 NİL AYAK 10LUK BEYAZ</p>  <p>4 ADET</p>	<p>ACCESSORIE NO : 093 4*25 MM S. VİDASI</p>  <p>12 ADET</p>			



NO	ADET/PCS	ÖLÇÜ/DIMENSIONS	NO	ADET/PCS	ÖLÇÜ/DIMENSIONS	NO	ADET/PCS	ÖLÇÜ/DIMENSIONS
01	1	708 X 445	11	2	818 X 120			
02	1	708 X 445	12	2	842 X 387			
03	1	1004 X 494	13	1	X			
04	1	1004 X 494						
05	2	872 X 189						
06	1	872 X 189						
07	2	708 X 58						
08	2	719 X 441						
09	2	400 X 120						
10	2	400 X 120						





1

485

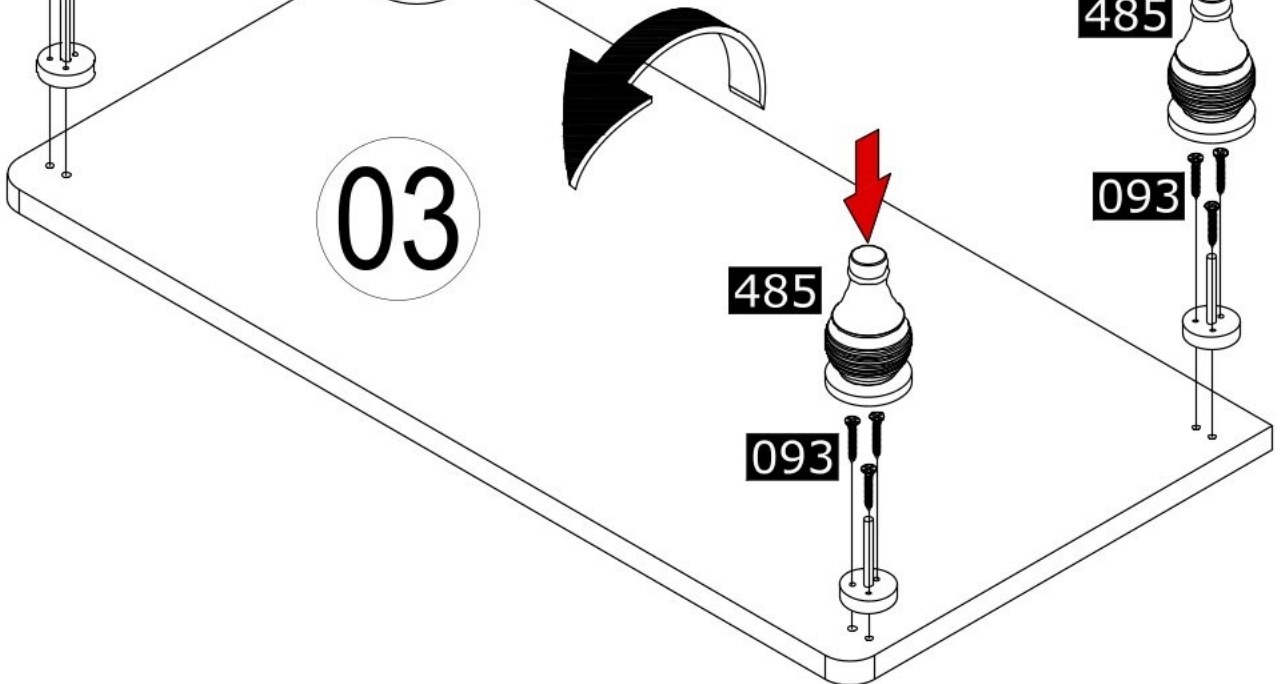
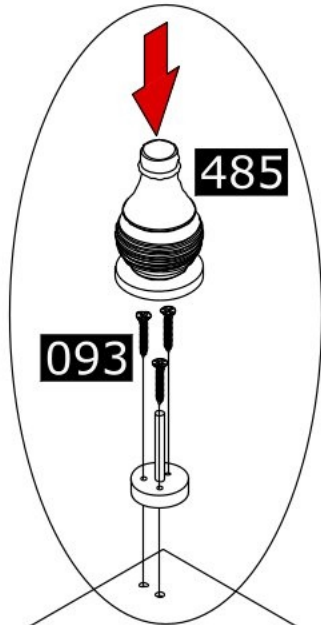
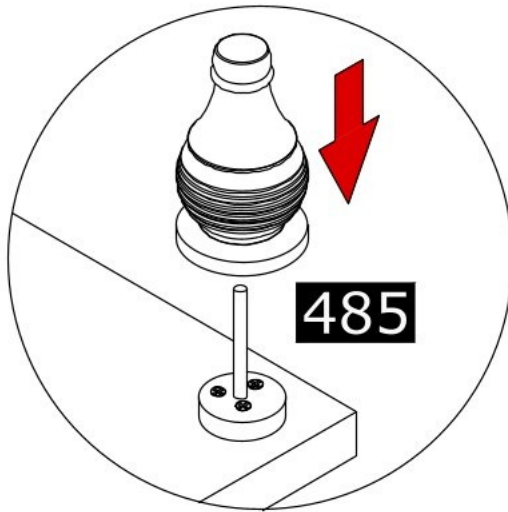
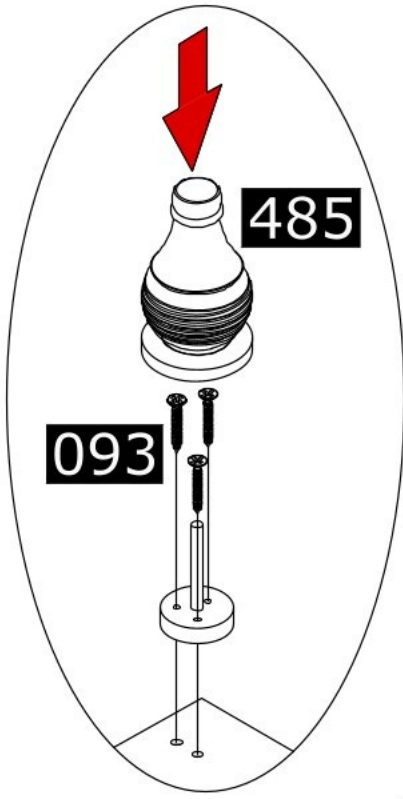


4x

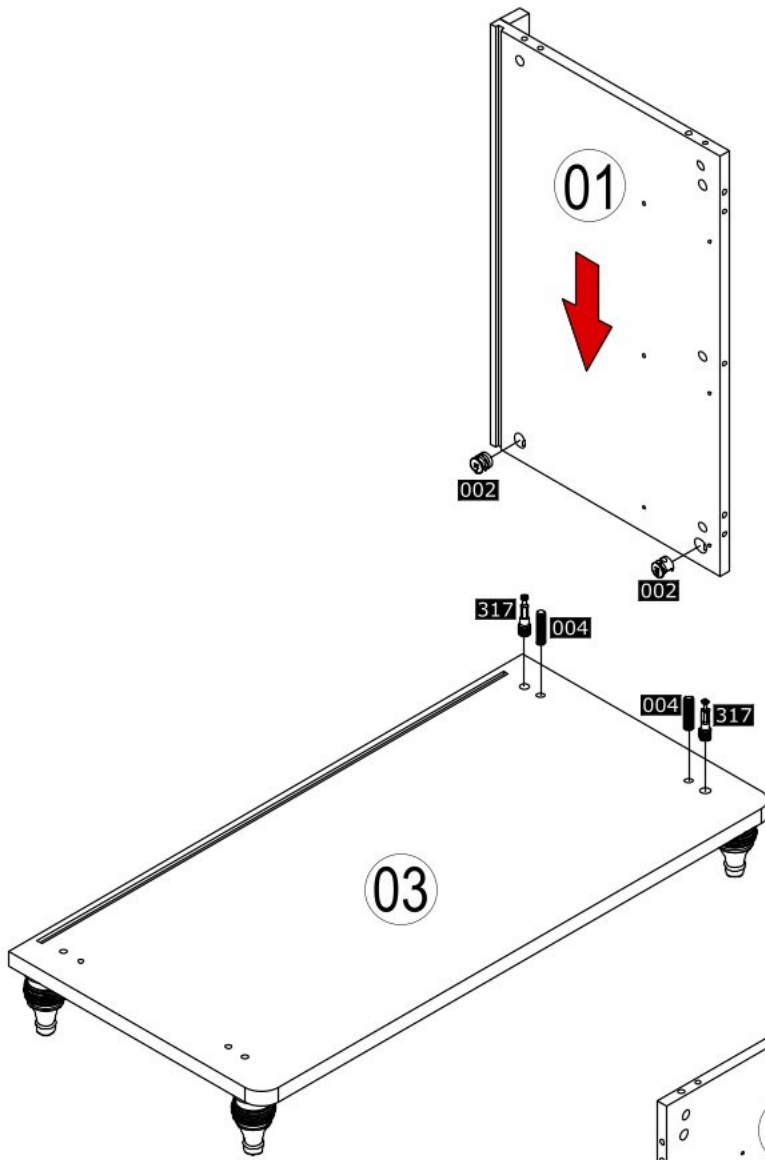
093



12x



2



002



4x

317



4x

004



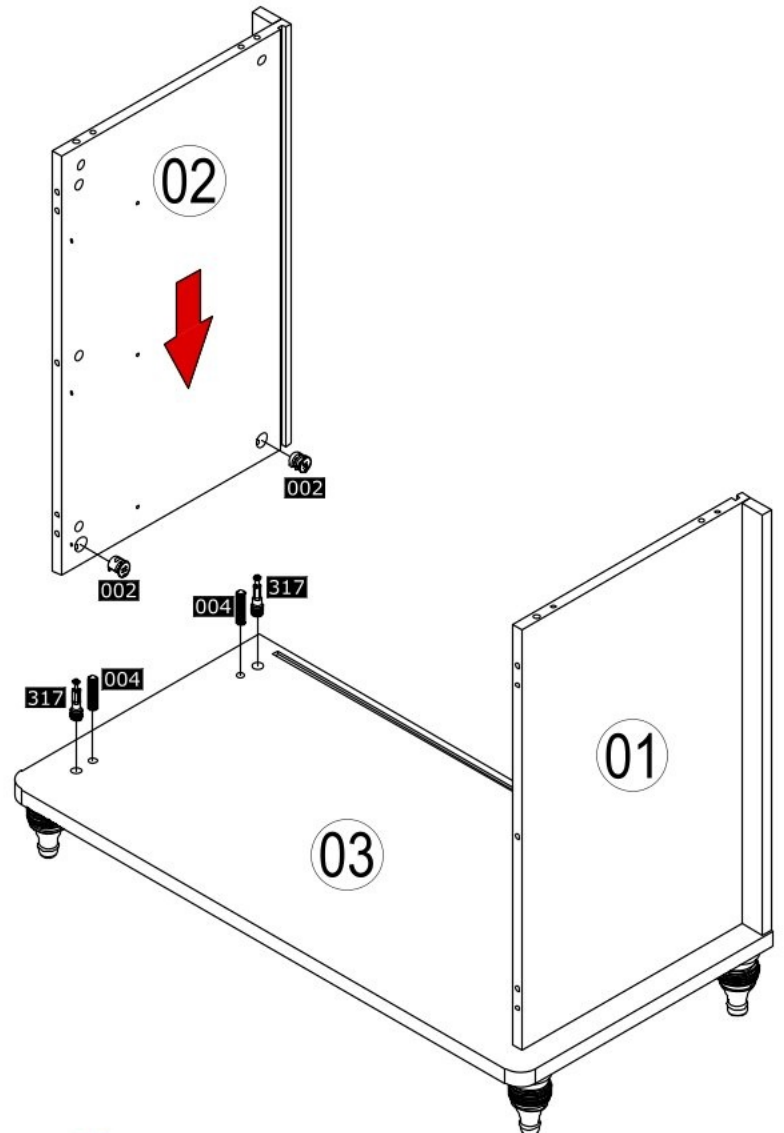
4x






002

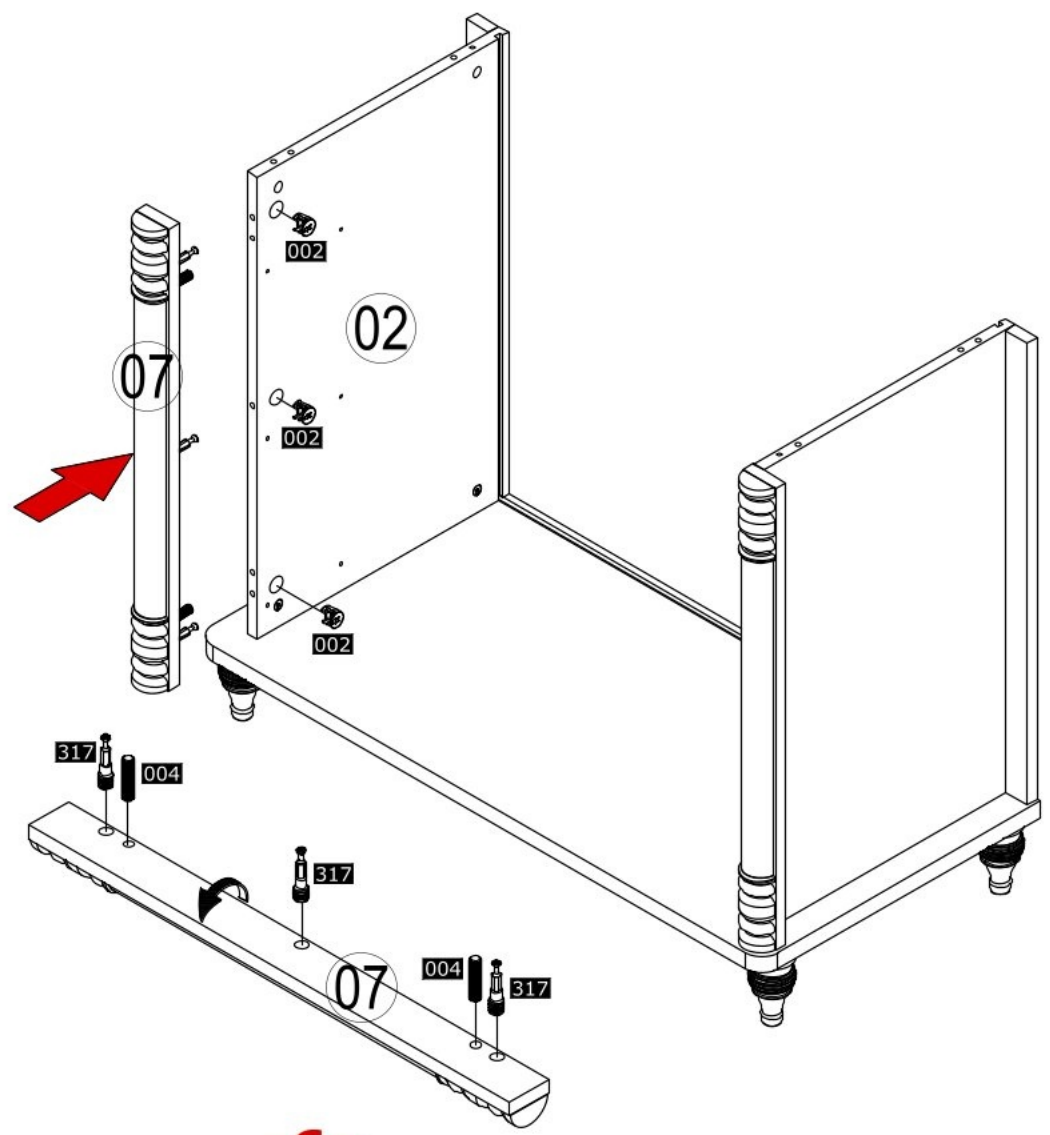
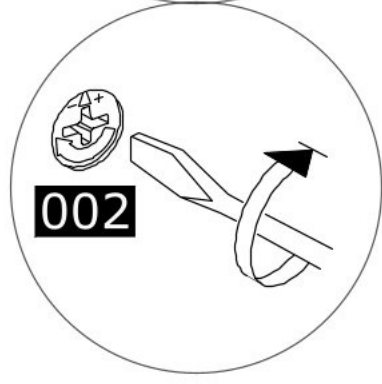
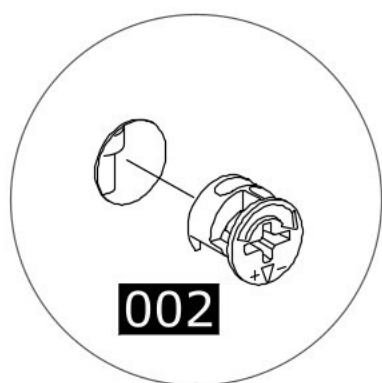
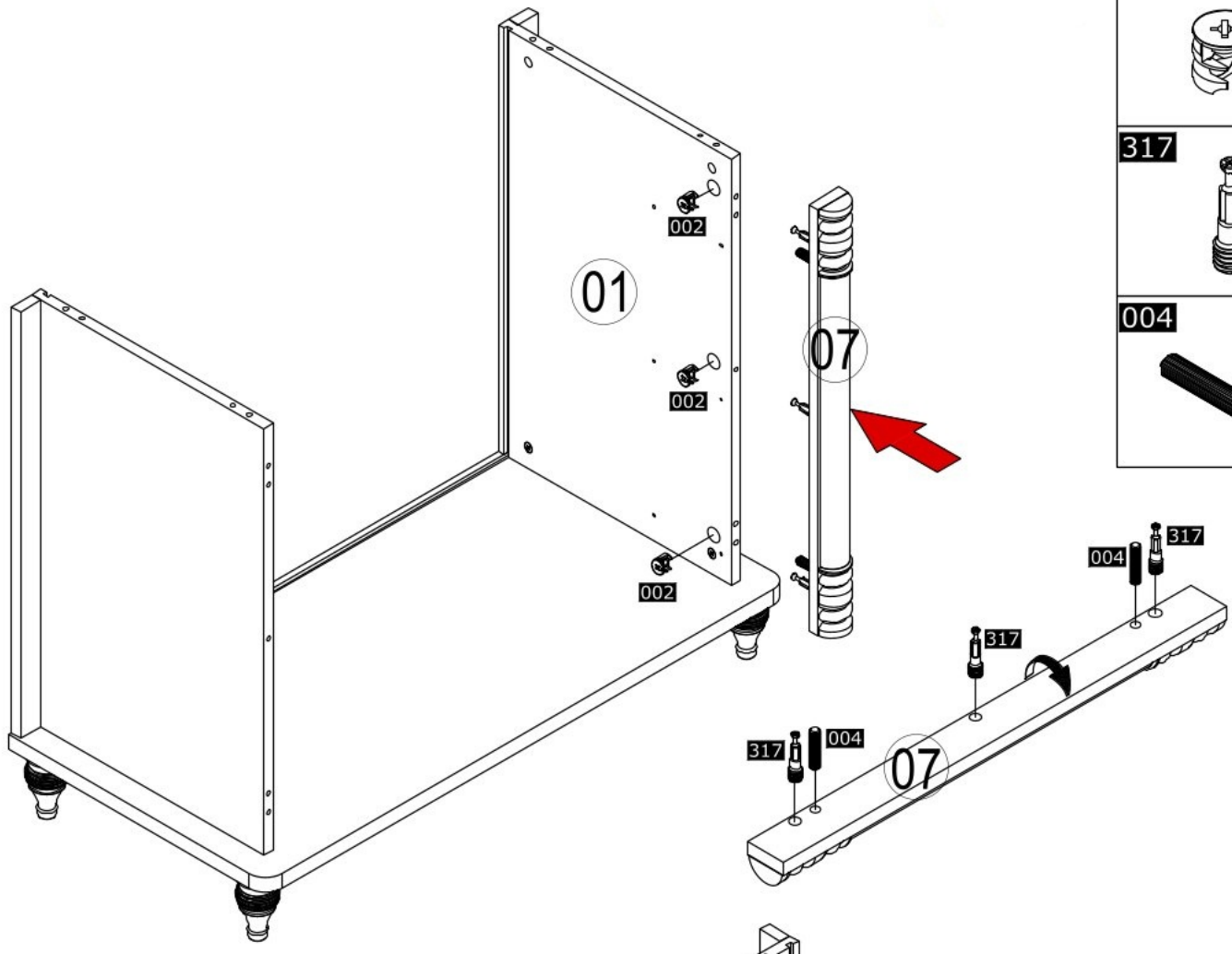


002

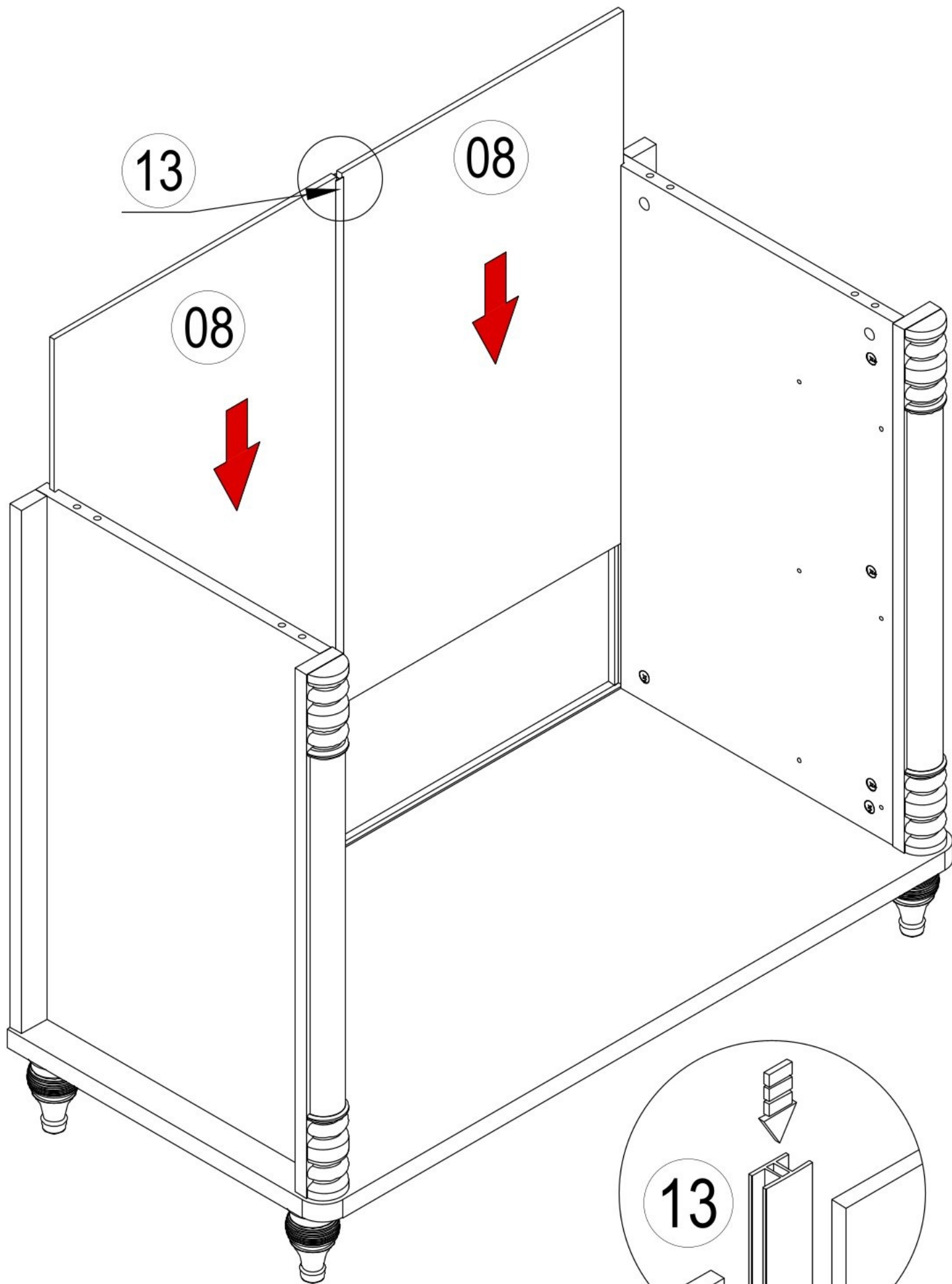


3

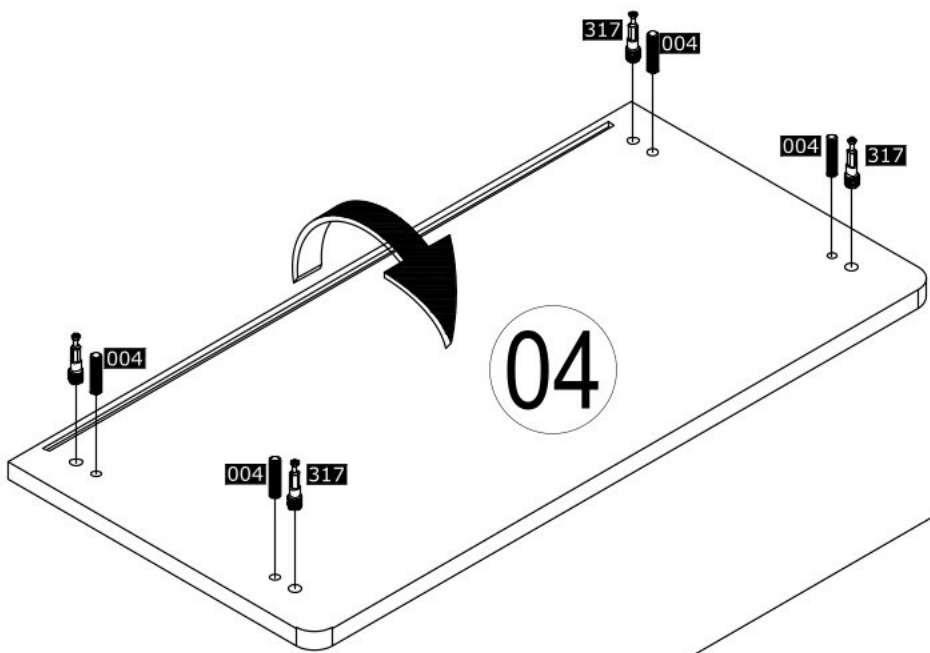
- 002**

6x
- 317**

6x
- 004**

4x



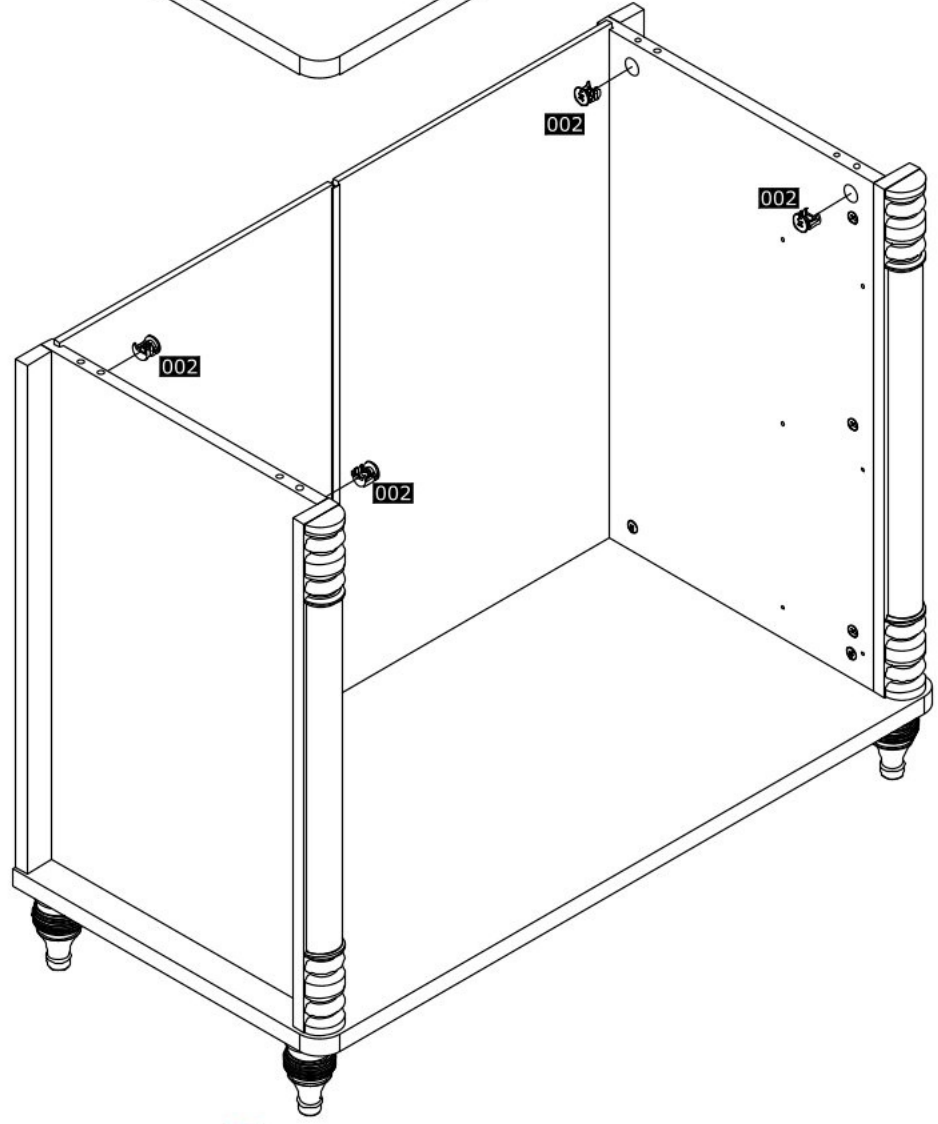
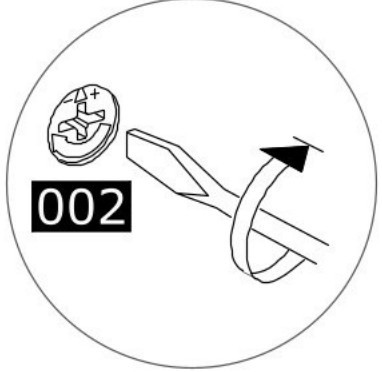
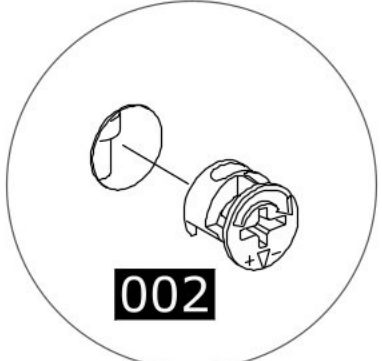
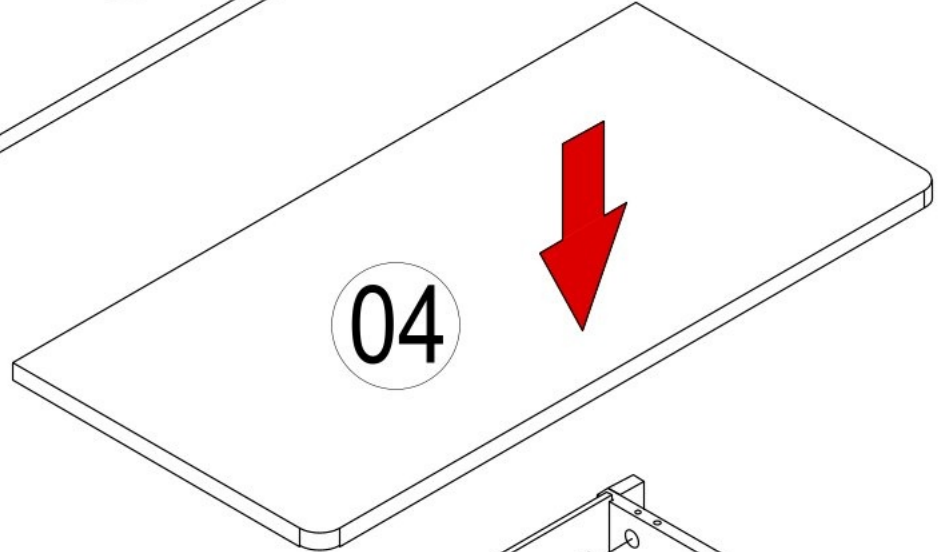
4



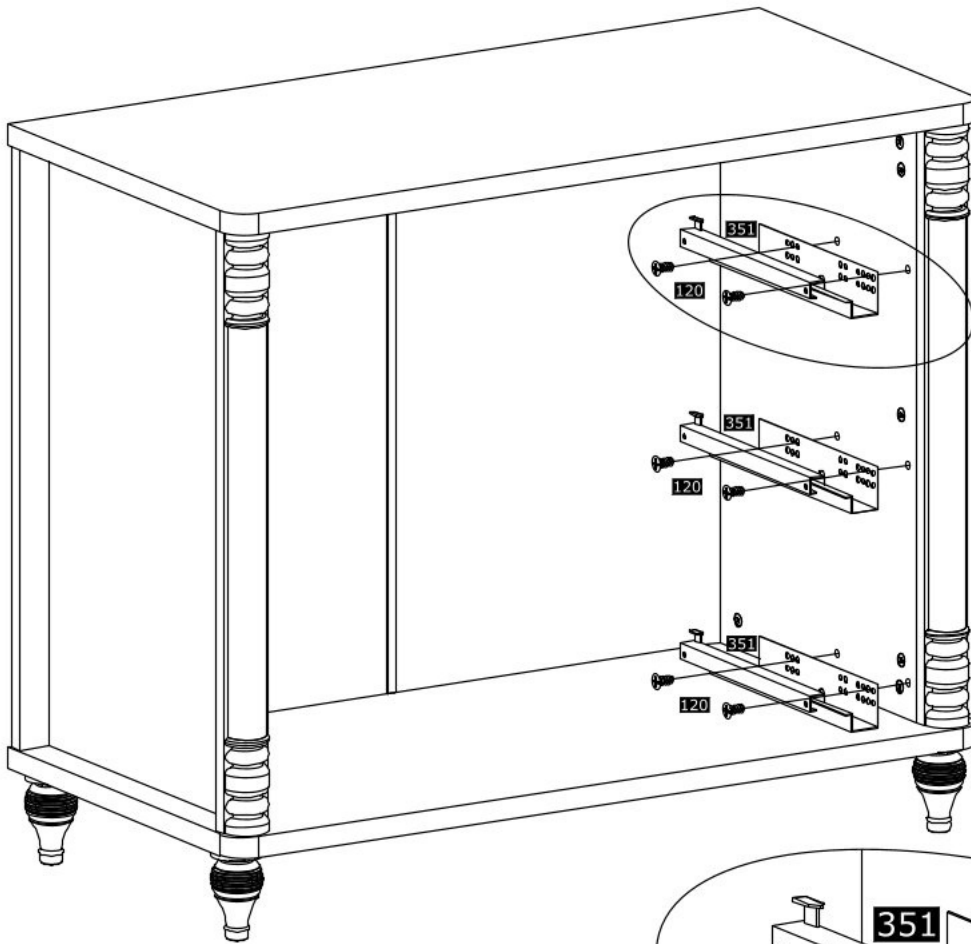
5



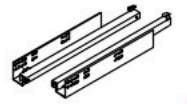
002		4x
317		4x
004		4x



6



351

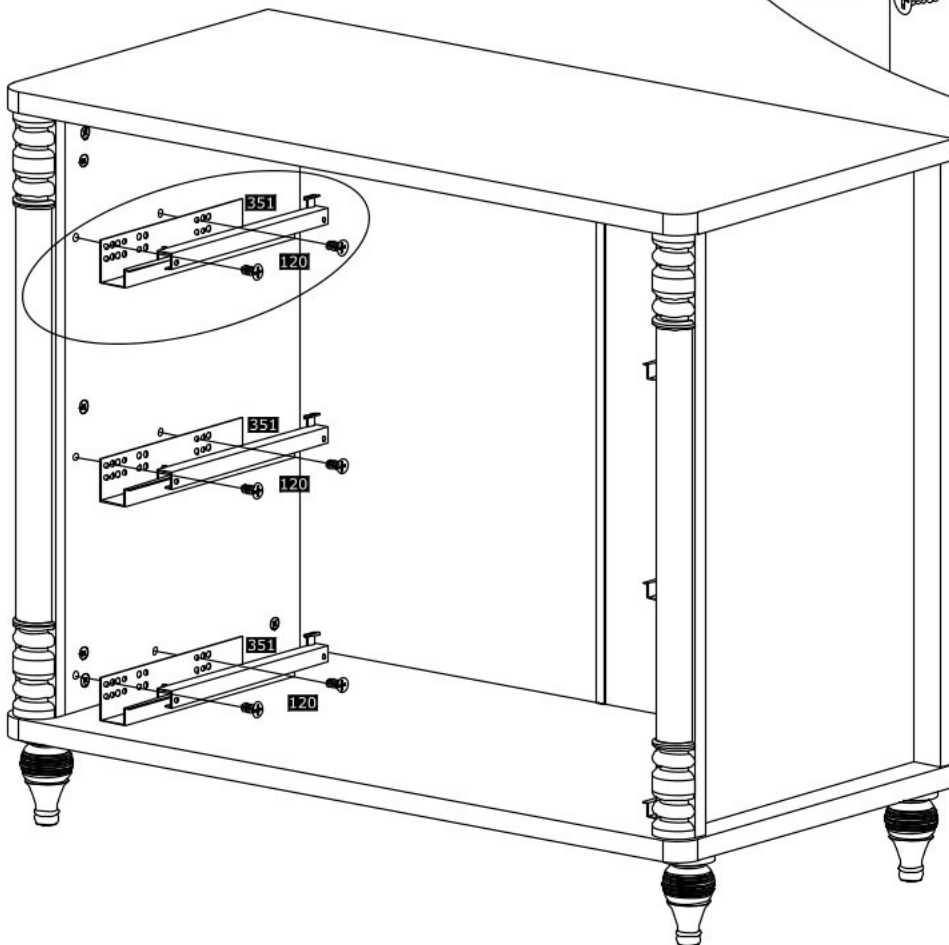
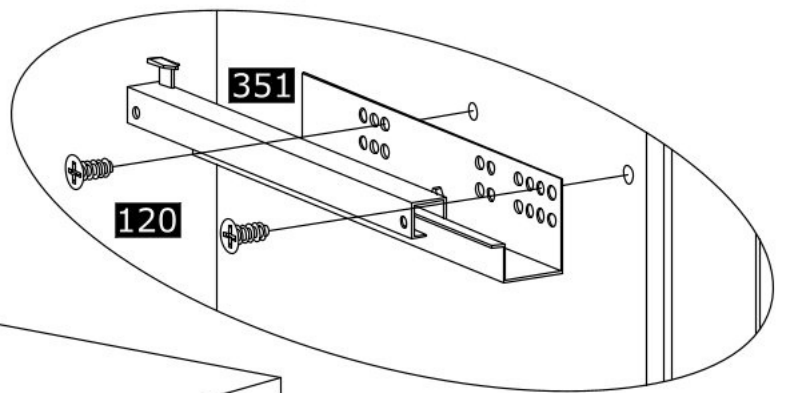


3x

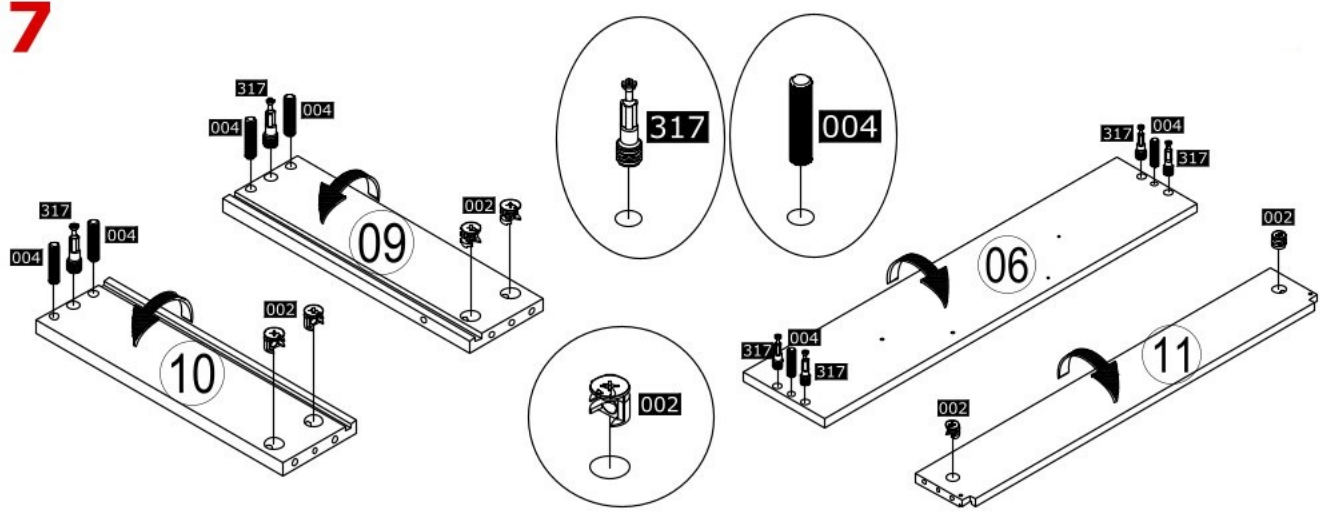
120






12x

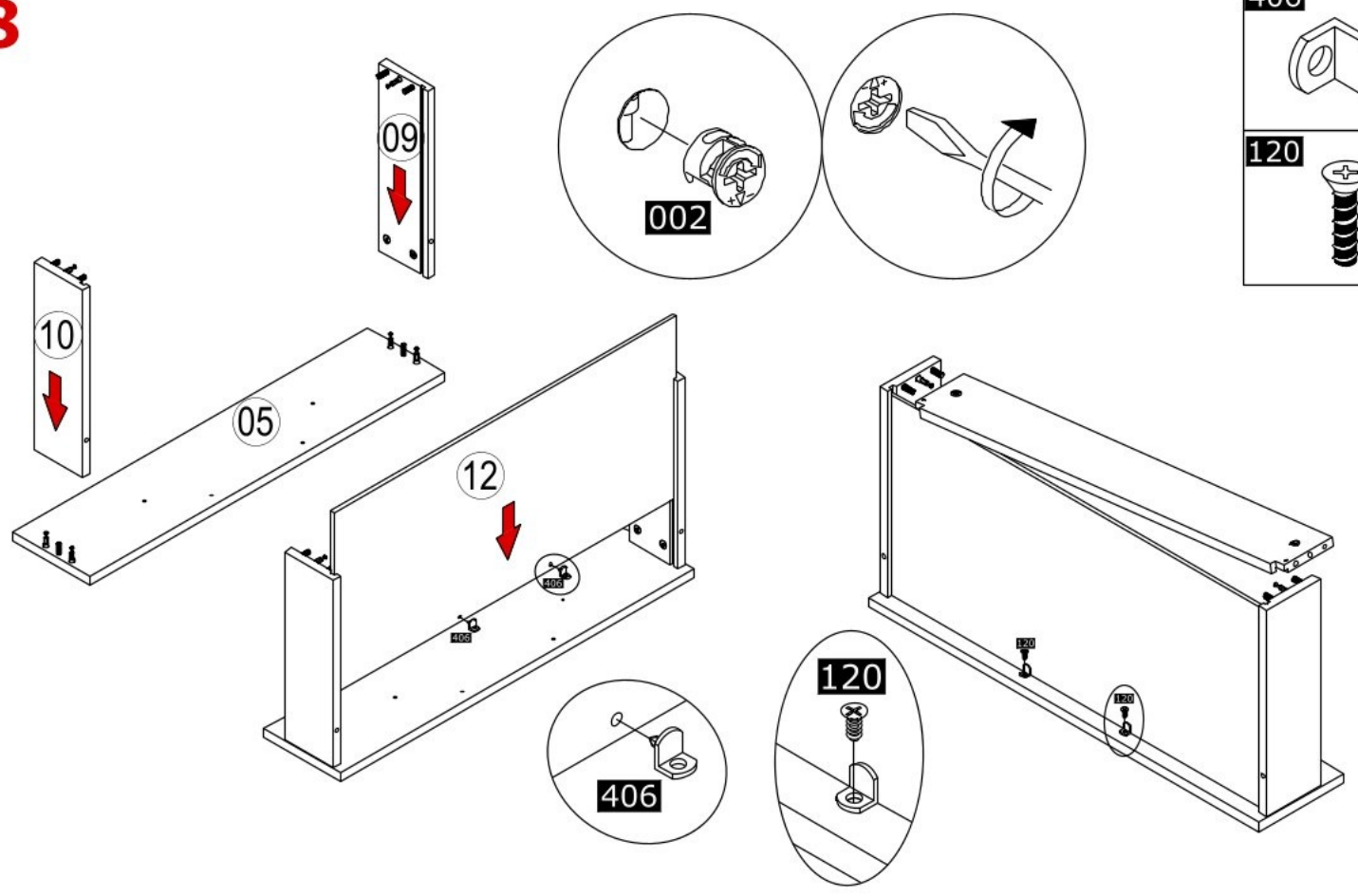




7



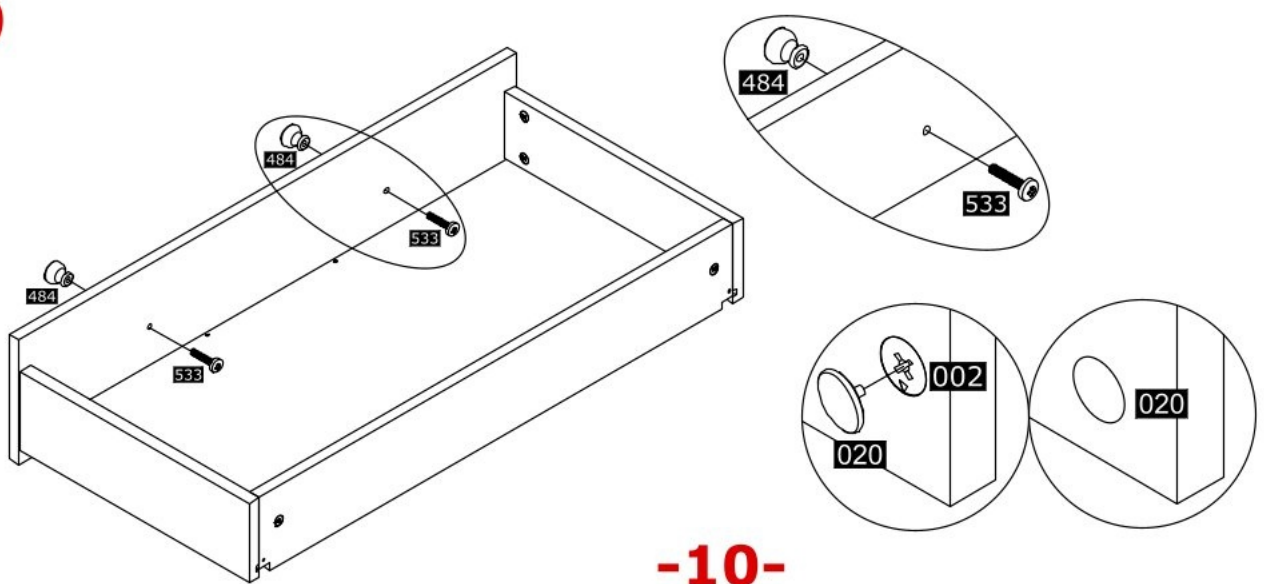
- 002**  6x
- 317**  6x
- 004**  6x




8



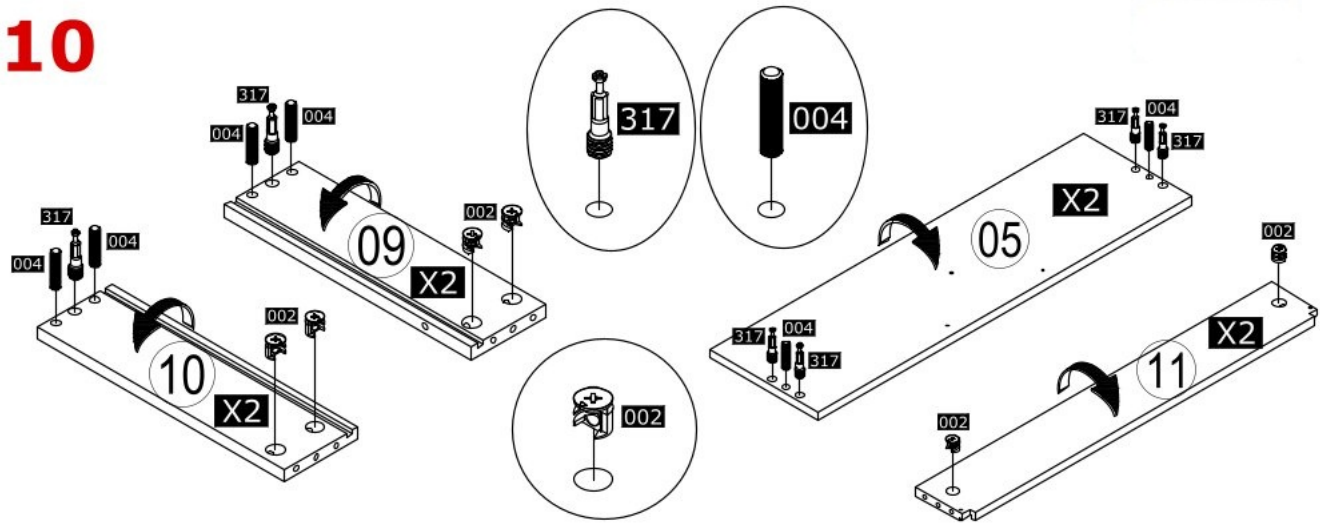
- 406**  2x
- 120**  2x




9



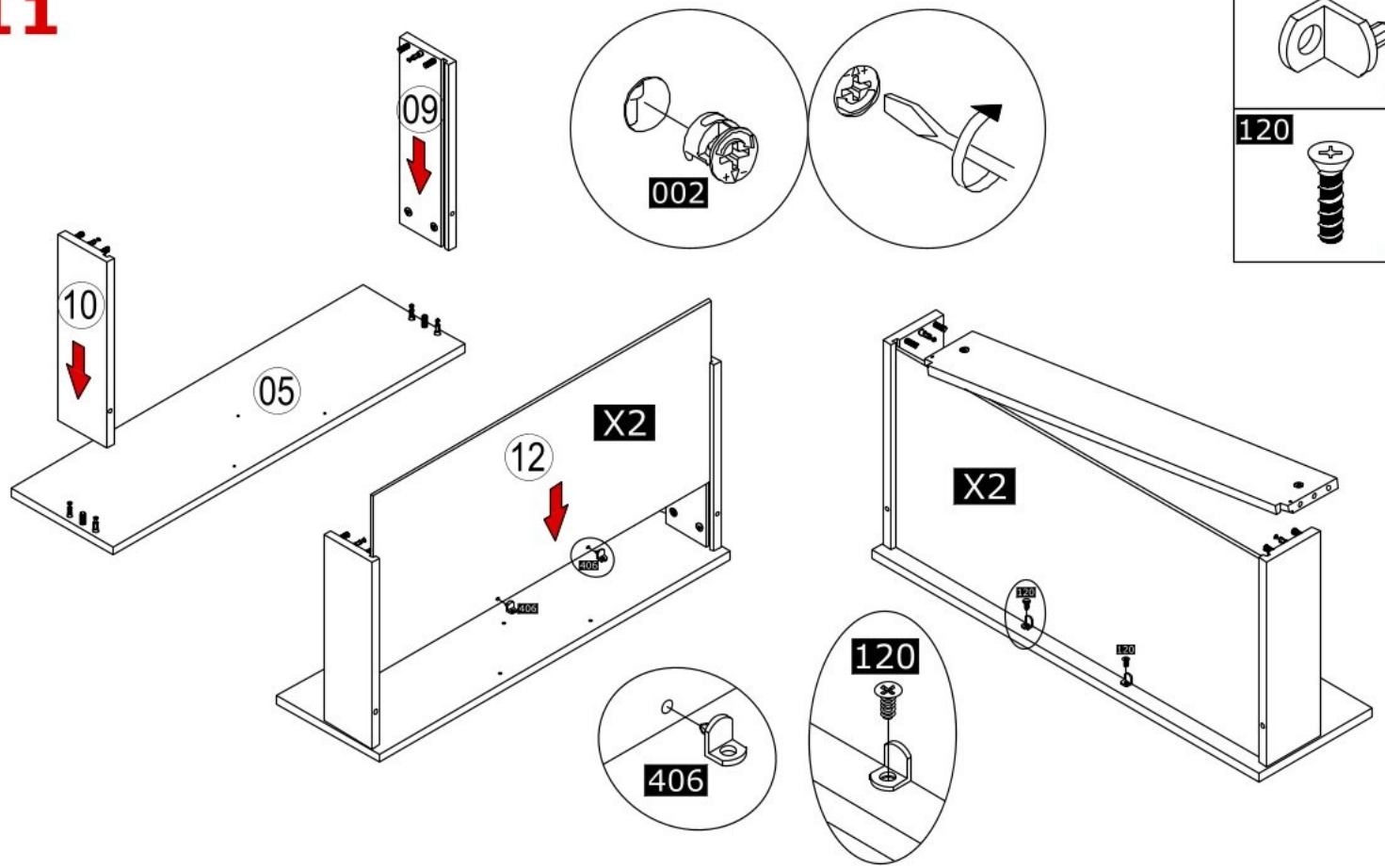
- 484**  2x
- 533**  2x
- 020**  4x



10



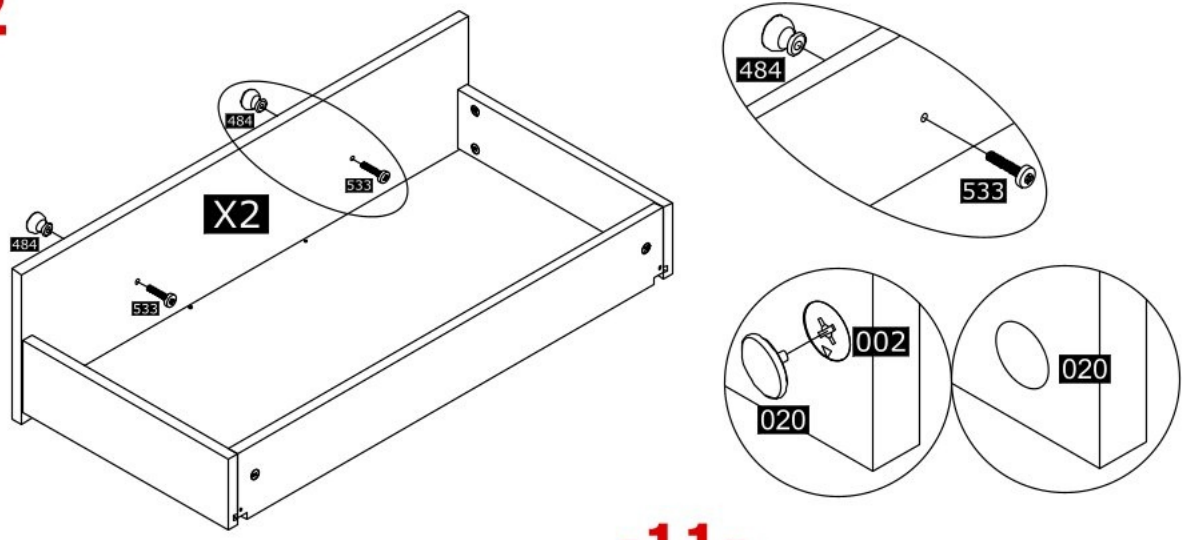
- 002**  12x
- 317**  12x
- 004**  12x




11

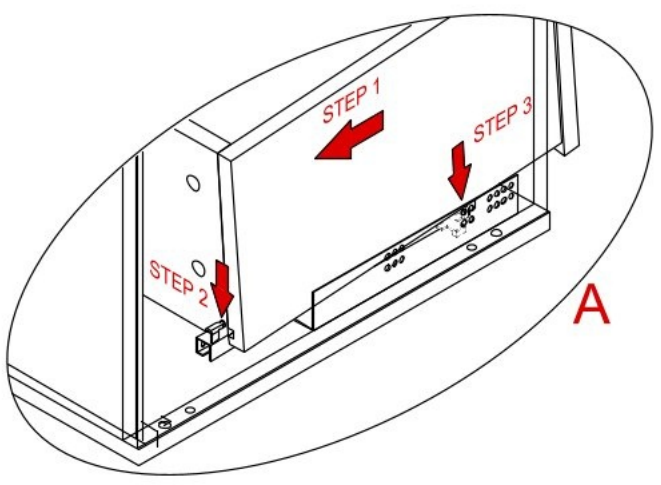
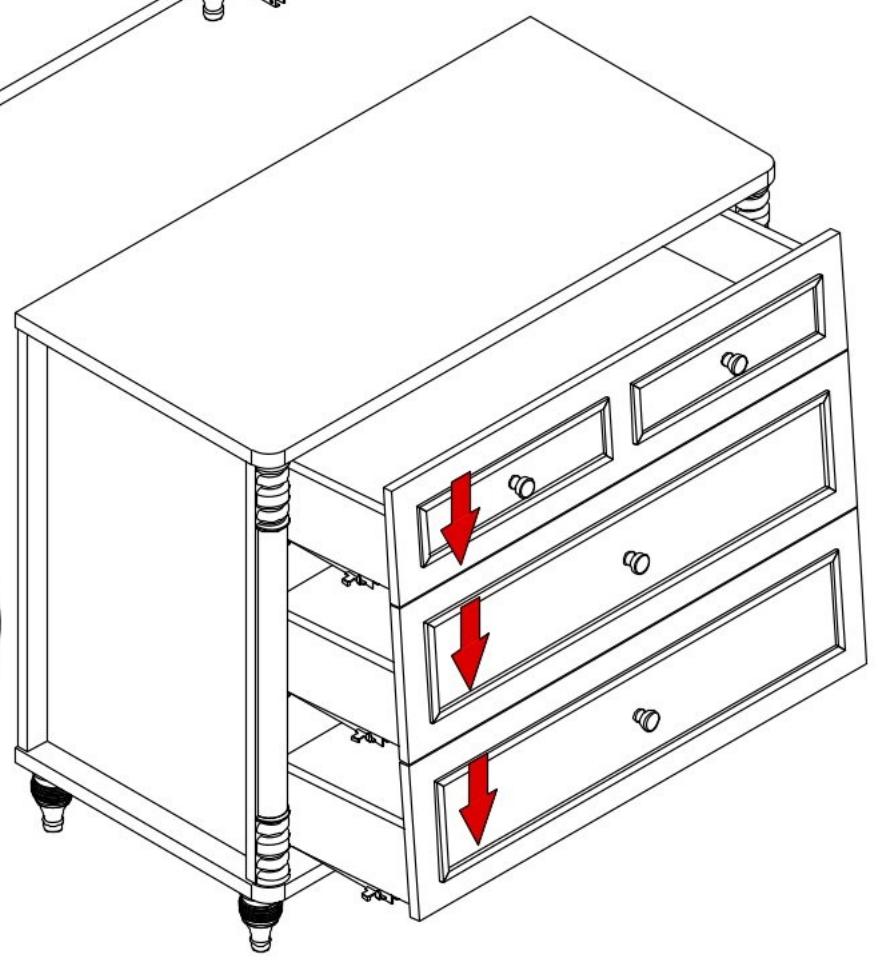
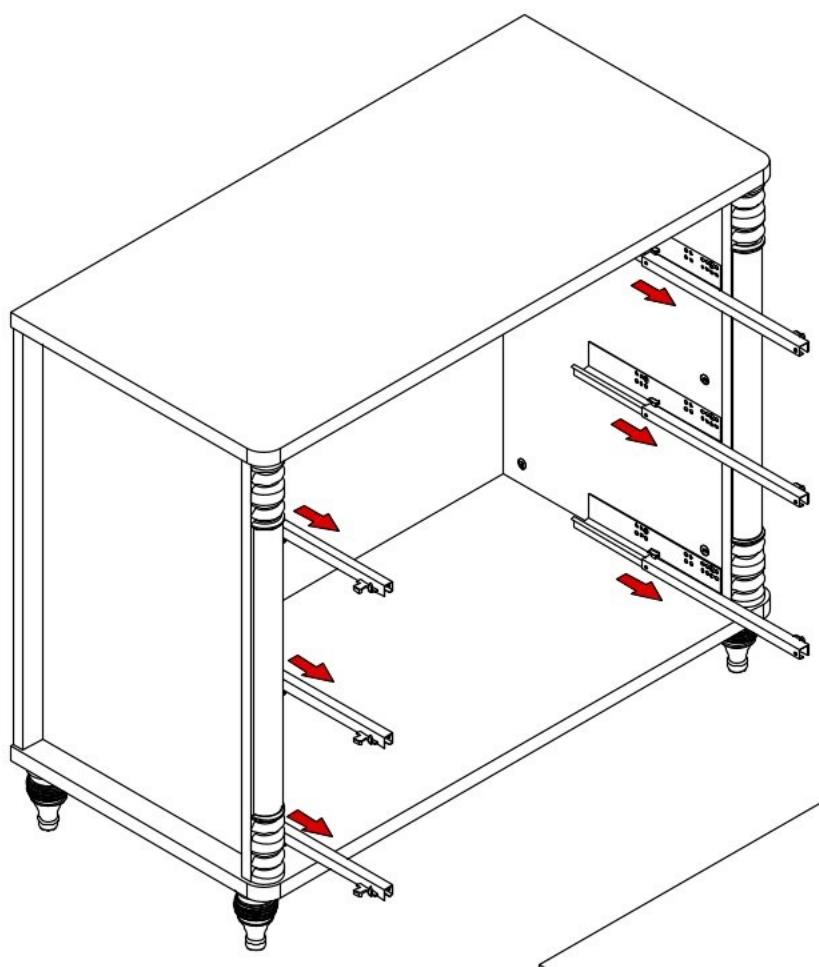


- 406**  4x
- 120**  4x

12



- 484**  4x
- 533**  4x
- 020**  8x



STEP 2-3

STEP 4

STEP 5

STEP 6

