



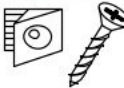

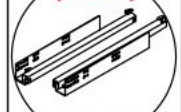



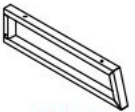



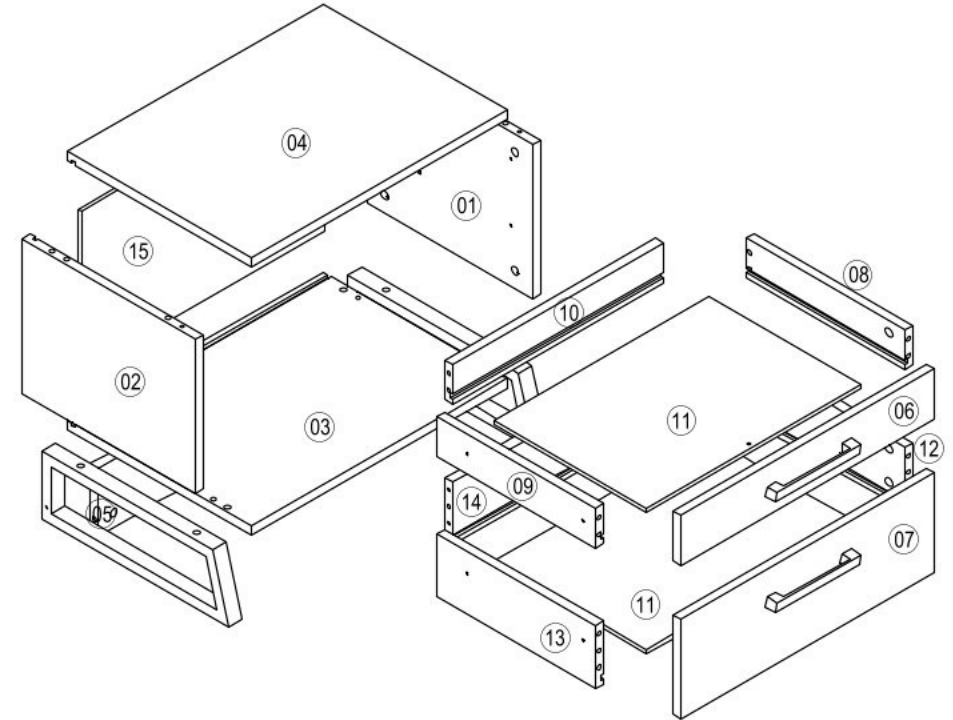


Noční stolek se šuplíky FALKO



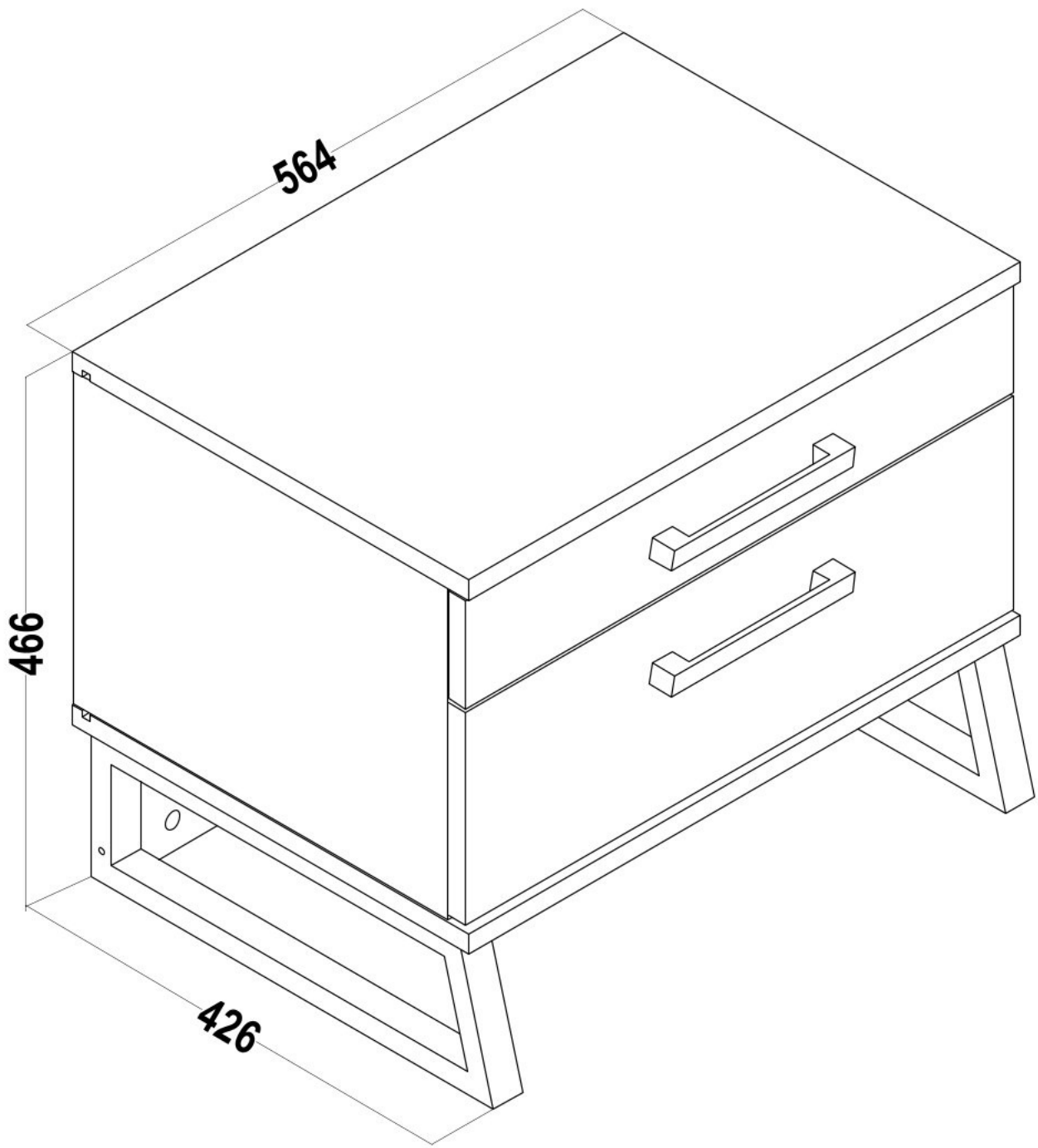
<p>ACCESSORIE NO : 317 10'LUK MİNİFİK MİL</p>  <p>18 ADET</p>	<p>ACCESSORIE NO : 002 TİTUS MİNİFİK GÖVDE</p>  <p>19 ADET</p>	<p>ACCESSORIE NO : 001 MİNİFİK MİL 6 MM</p>  <p>1 ADET</p>	<p>ACCESSORIE NO : 004 Ø8x30 KAVELA</p>  <p>18 ADET</p>	<p>ACCESSORIE NO : 213 M6*70 ALYAN VİDA</p>  <p>2 ADET</p>
<p>ACCESSORIE NO : 011 ARKALIK SABİTLEME 3.5x25 S.VİDASI</p>  <p>4 ADET</p>	<p>ACCESSORIE NO : 020 MİNİFİK TAPA BEYAZ</p>  <p>6 ADET</p>	<p>ACCESSORIE NO : 410 TANDEM RAY 350 (SAMET)</p>  <p>2 TAKIM</p>	<p>ACCESSORIE NO : 238 M6*35 ALYAN VİDA</p>  <p>4 ADET</p>	<p>ACCESSORIE NO : 510 Ø15 METAL SİLİNDİRİK SOMUN</p>  <p>2 ADET</p>
<p>ACCESSORIE NO : 120 6.3*13 MM EURO VİDA</p>  <p>10 ADET</p>	<p>ACCESSORIE NO : 406 PLS. RAF PİMİ EURO VİDALI</p>  <p>2 ADET</p>	<p>ACCESSORIE NO : 513 AYAK(M079)</p>  <p>2 ADET</p>	<p>ACCESSORIE NO : 513 COSMOS KULP</p>  <p>2 ADET</p>	<p>ACCESSORIE NO : 115 M4*23 MM VİDA</p>  <p>4 ADET</p>
				<p>ACCESSORIE NO : 131 4mm ALYAN ANAHTAR</p>  <p>1 ADET</p>

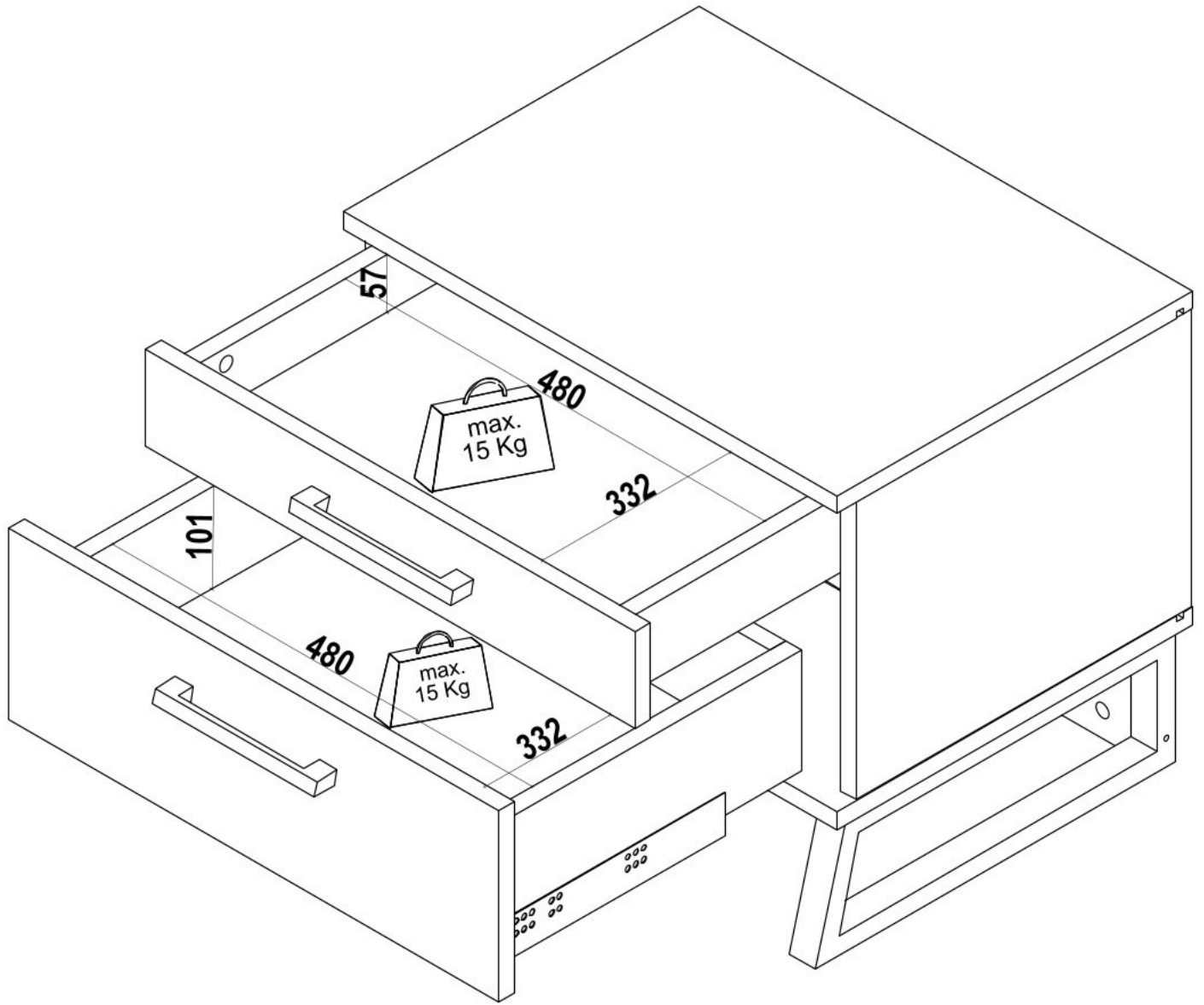


NO	ADET/PCS	ÖLÇÜ/DIMENSIONS	NO	ADET/PCS	ÖLÇÜ/DIMENSIONS	NO	ADET/PCS	ÖLÇÜ/DIMENSIONS
01	1	383 X 295	11	2	490 X 337			
02	1	383 X 295	12	1	350 X 120			
03	1	564 X 406	13	1	350 X 120			
04	1	564 X 406	14	1	480 X 120			
05	1	494 X 130	15	1	537 X 306			
06	1	560 X 96						
07	1	560 X 189						
08	1	350 X 76						
09	1	350 X 76						
10	1	480 X 76						



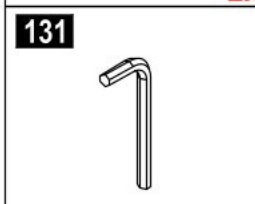

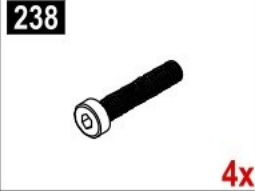
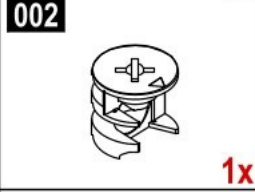
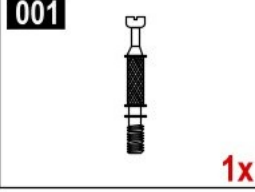
PLEASE ORDER THE ACCESSORIES ACCORDING TO THE REFERENCE NUMBER ON THE DRAWING(EXAMPLE ACCESSORIE NO-008 RAFIX MİL 1.PCS.)

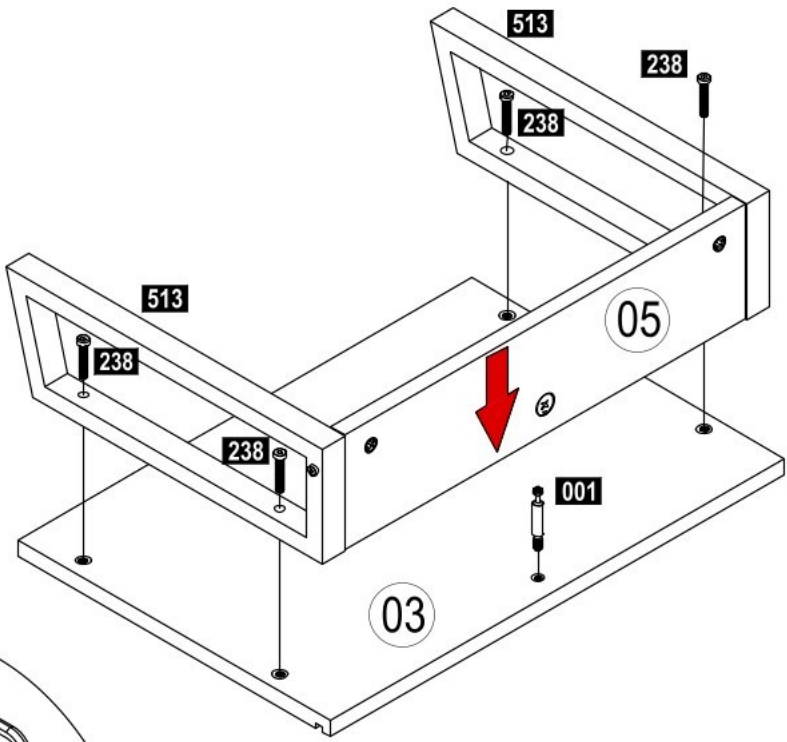
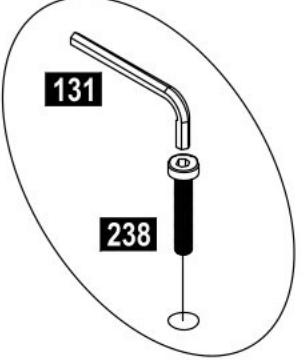
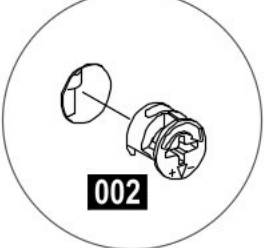
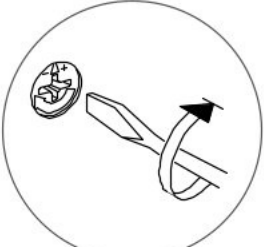
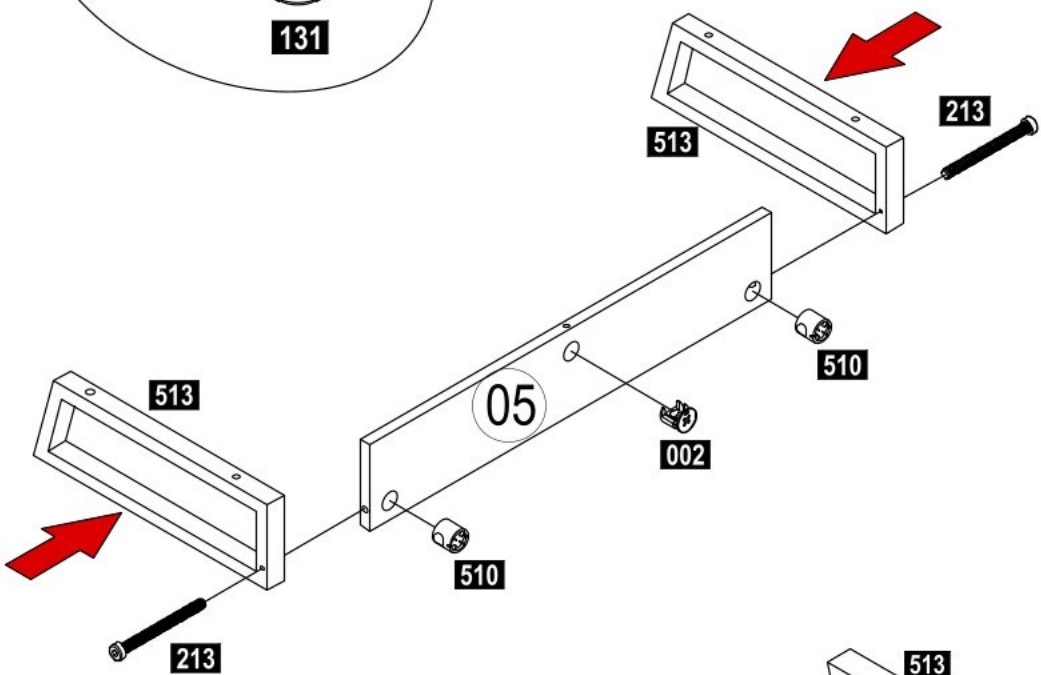
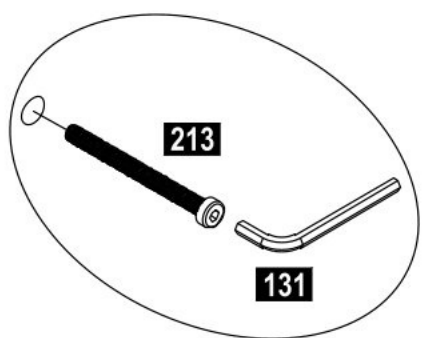
PLEASE ORDER THE SPARE PARTS ACCORDING TO THE REFERENCE NUMBER ON THE DRAWING

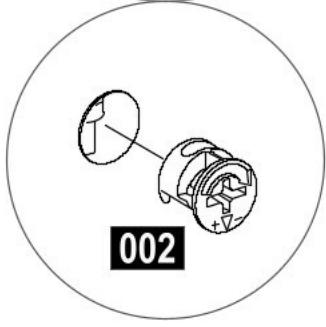
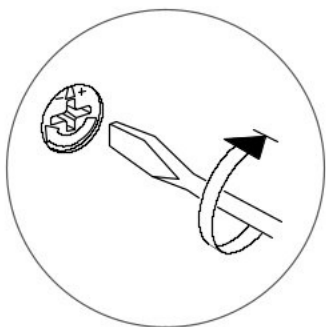
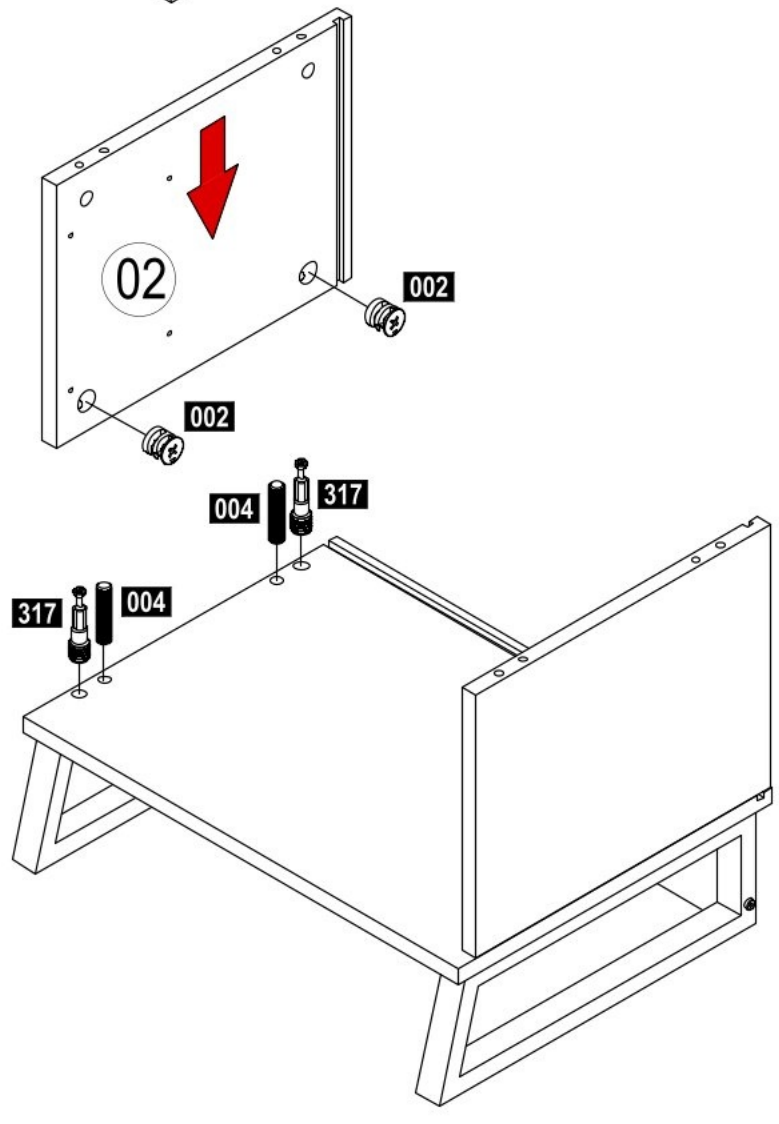
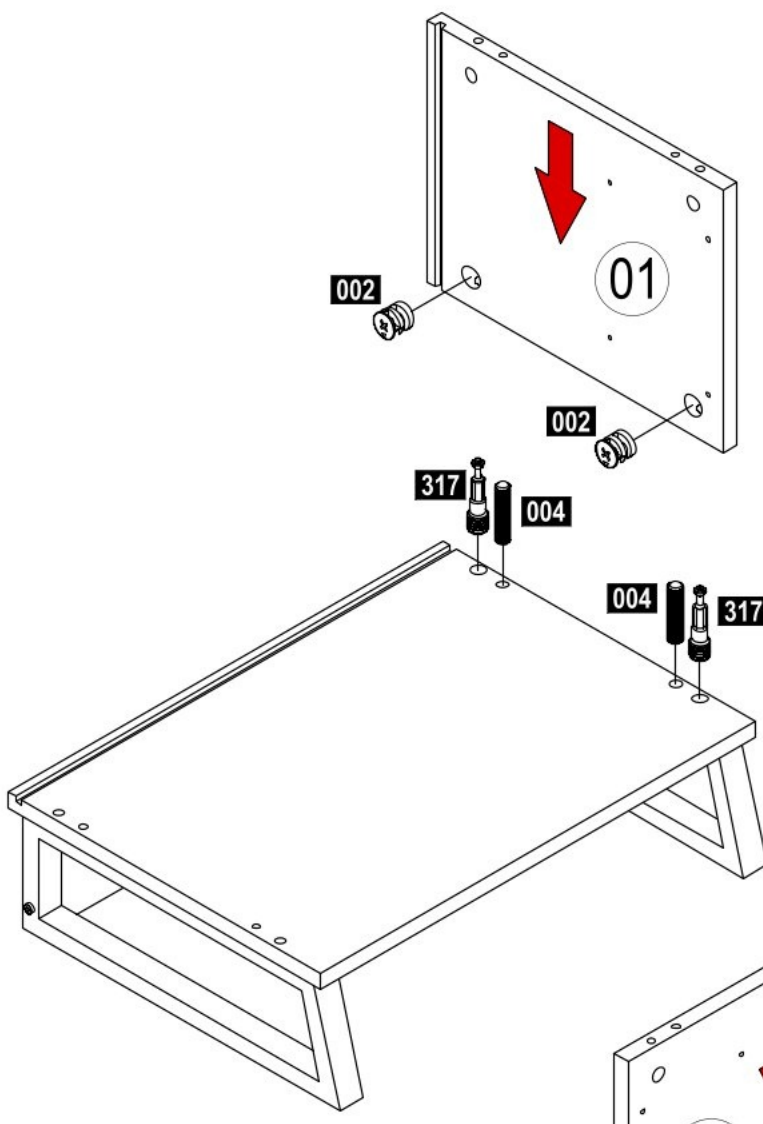



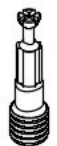



1

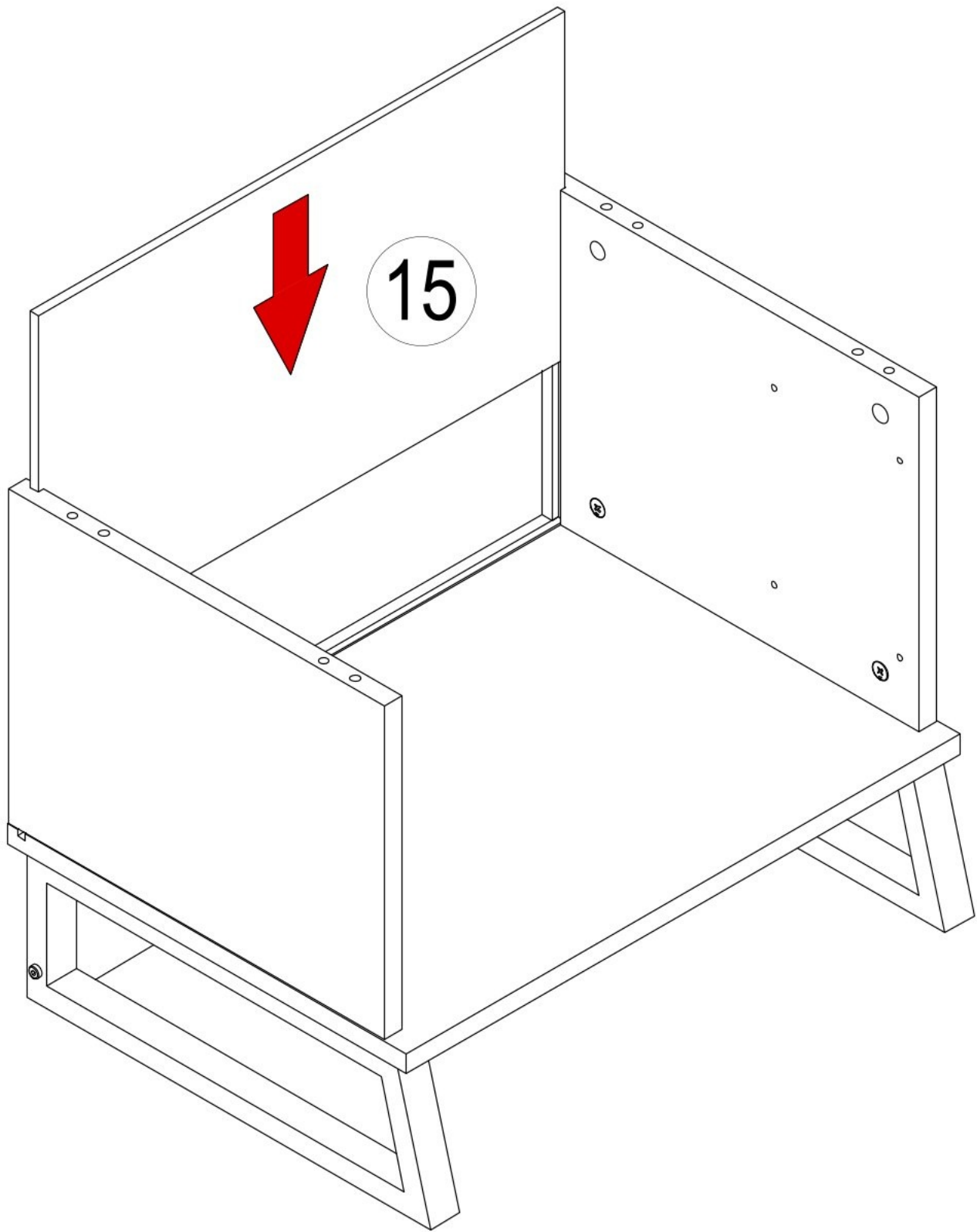
513  2x	510  2x
131  1	213  2x
238  4x	002  1x
001  1x	



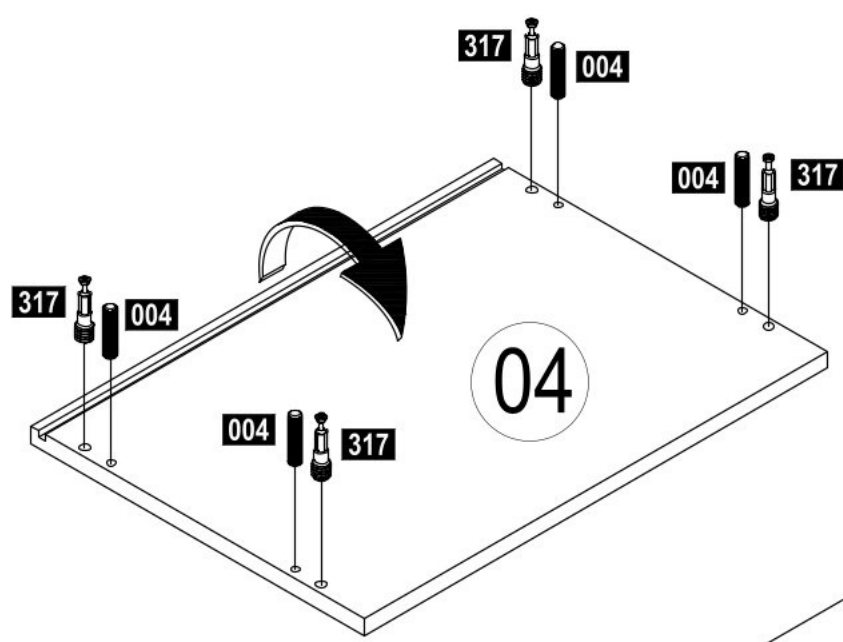





- 002  4x
- 317  4x
- 004  4x

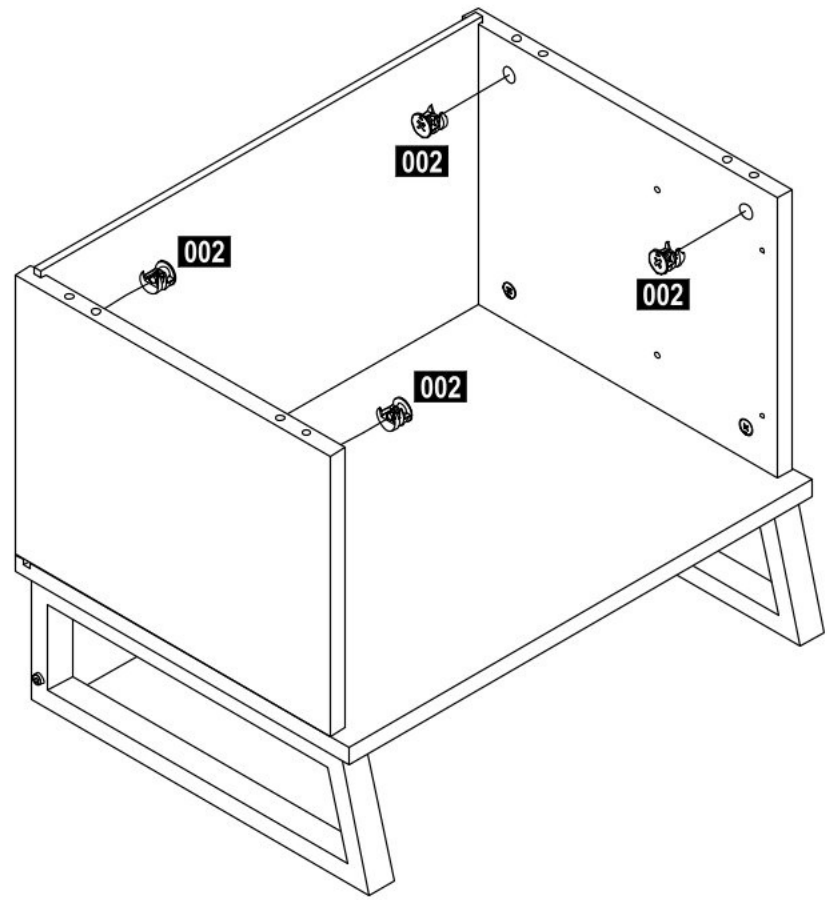
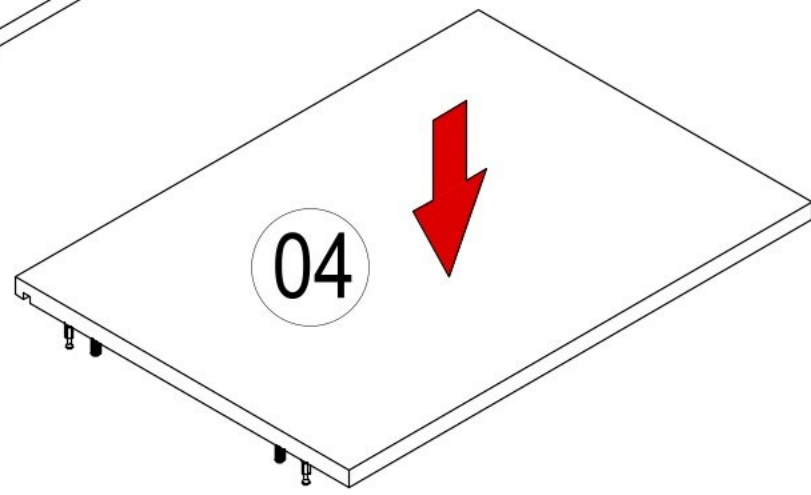
3



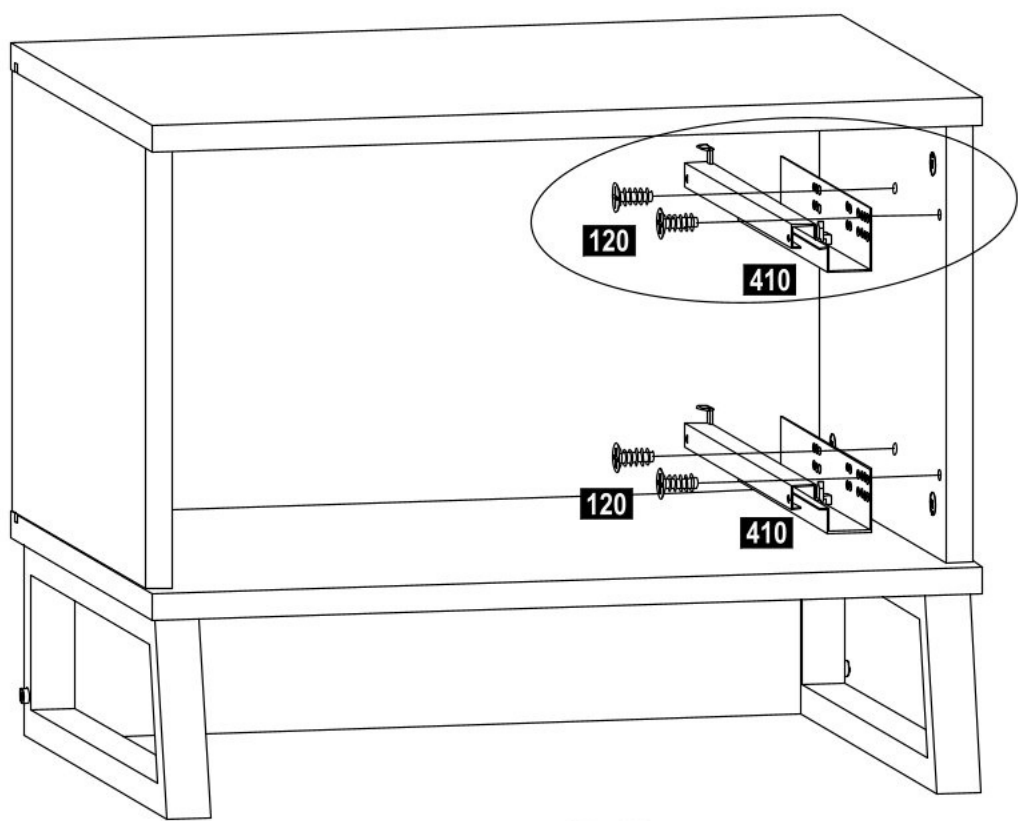
4



002		4x
317		4x
004		4x



5



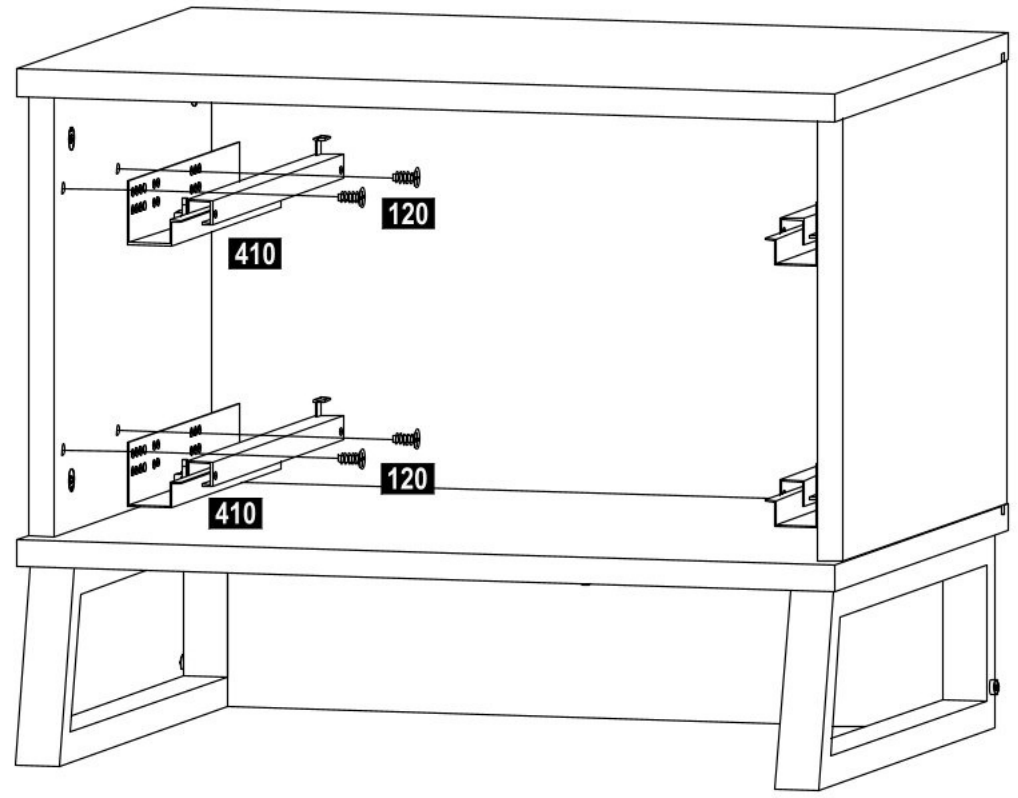
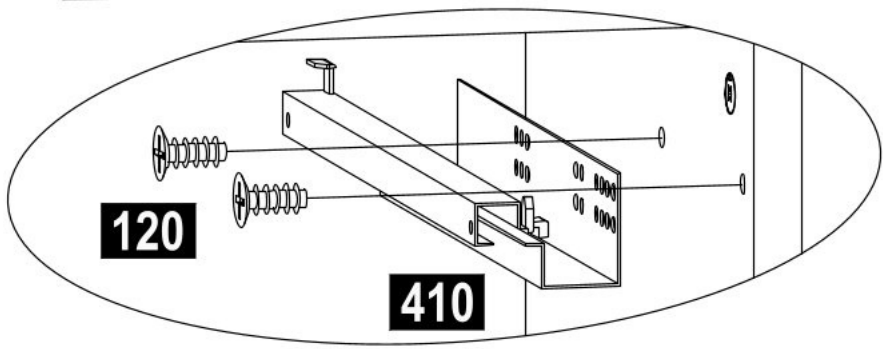
410

2x

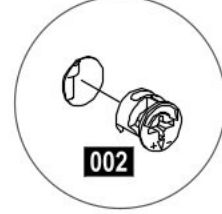
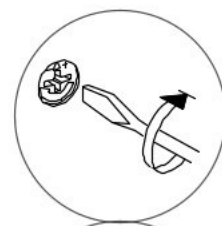
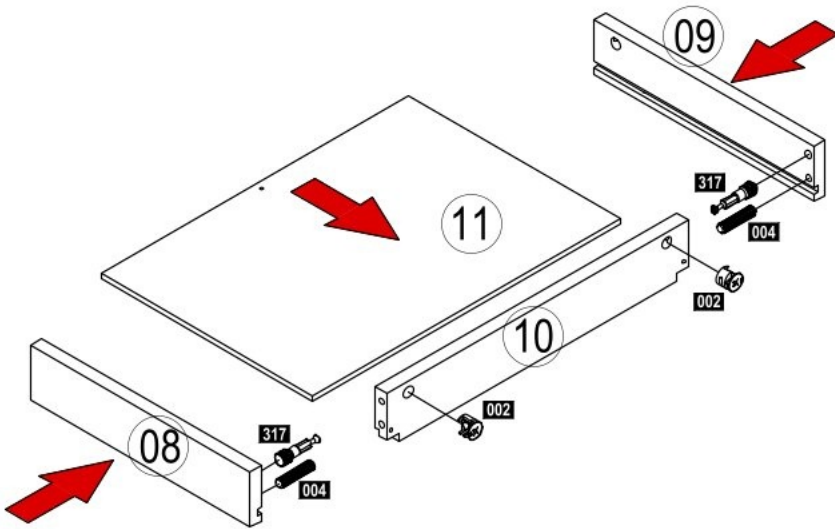
120




8x

This block contains two inset images. The top inset shows two brackets, labeled 410, with the quantity '2x' next to them. The bottom inset shows a single screw, labeled 120, with the quantity '8x' next to it.

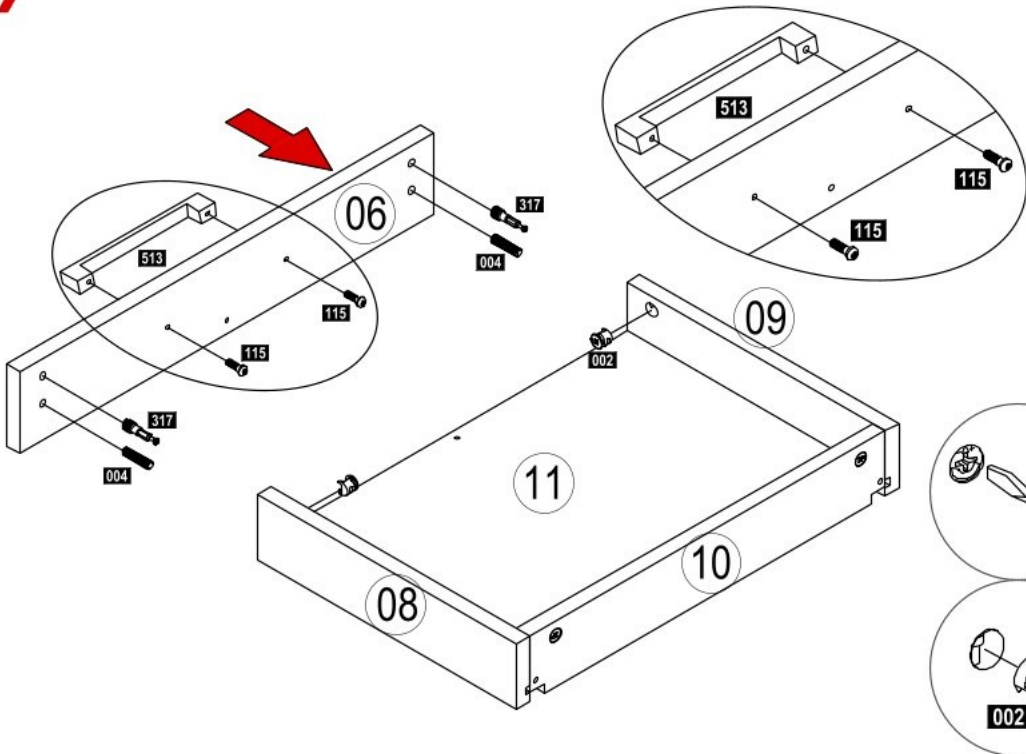


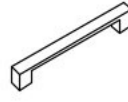





6

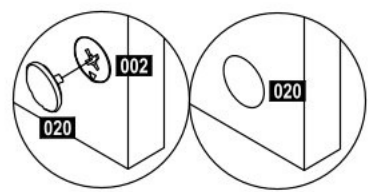
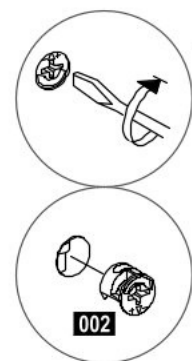


- 002**  2x
- 317**  2x
- 004**  2x

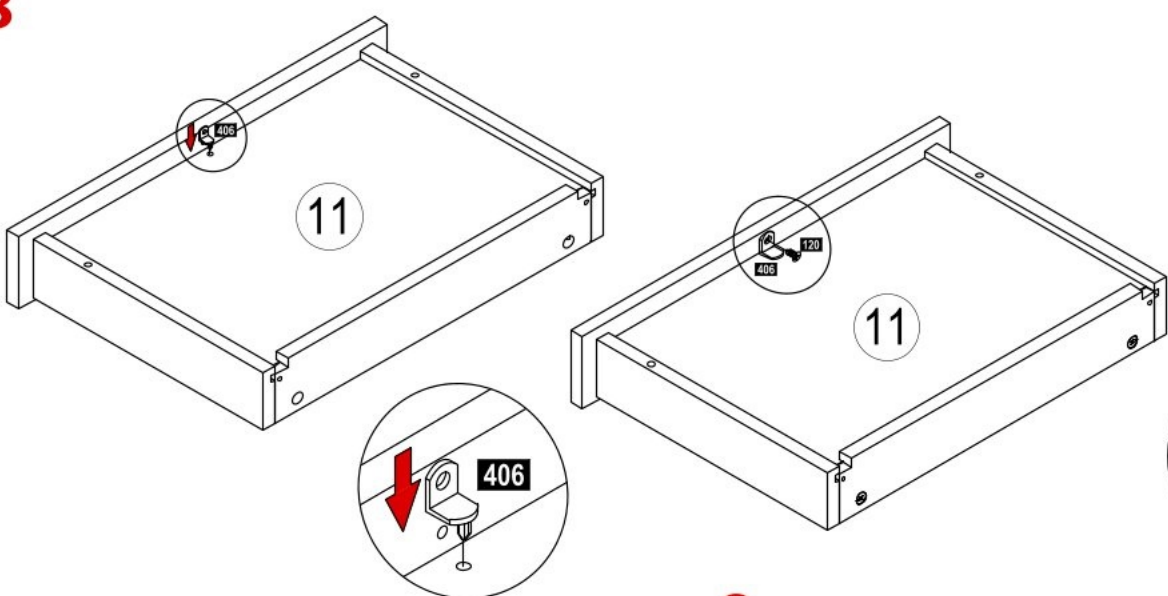
7





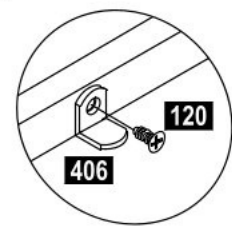
- 513**  1x
- 002**  2x
- 115**  2x
- 317**  2x
- 020**  2x
- 004**  2x



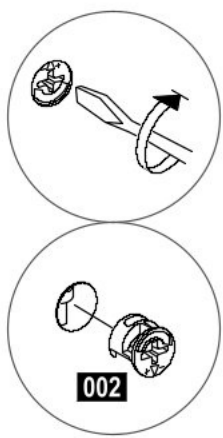
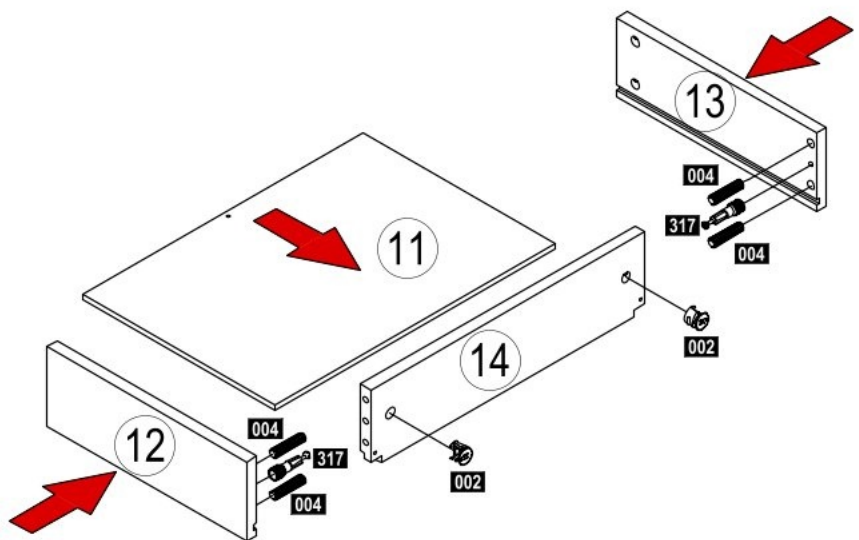
8



- 406**  1x
- 120**  1x

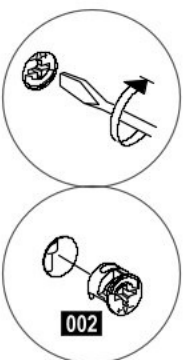
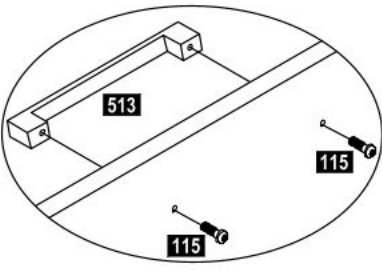
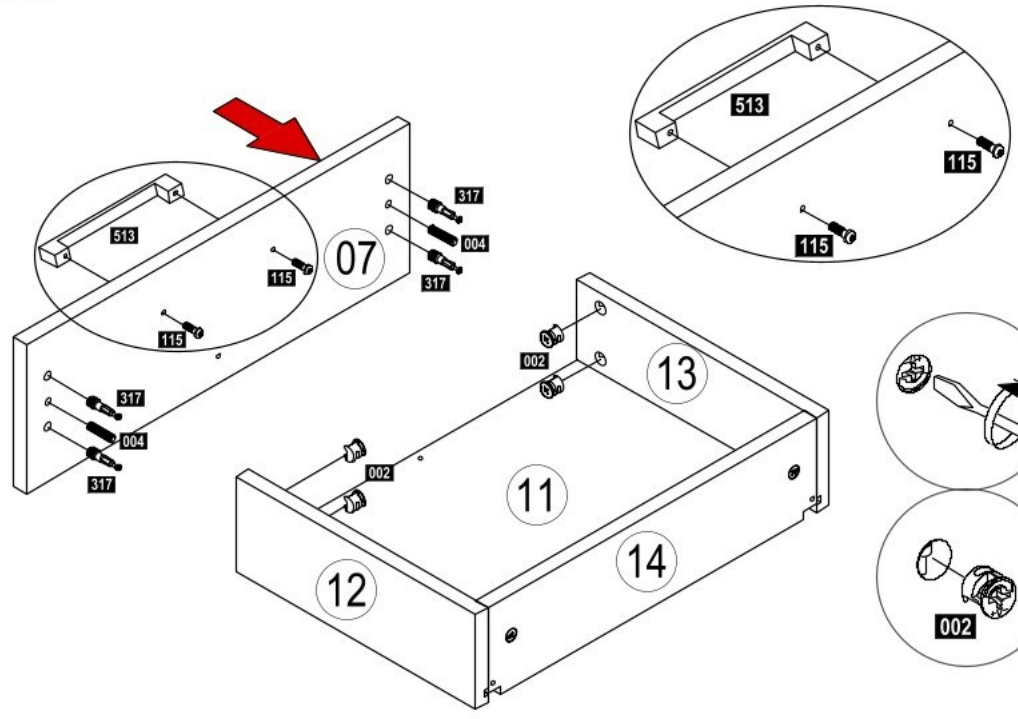


9



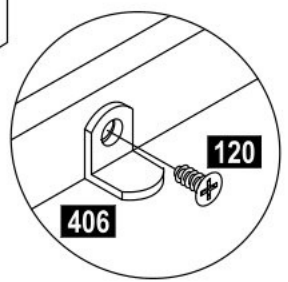
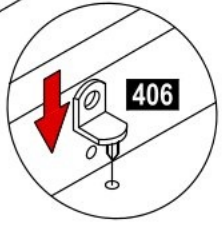
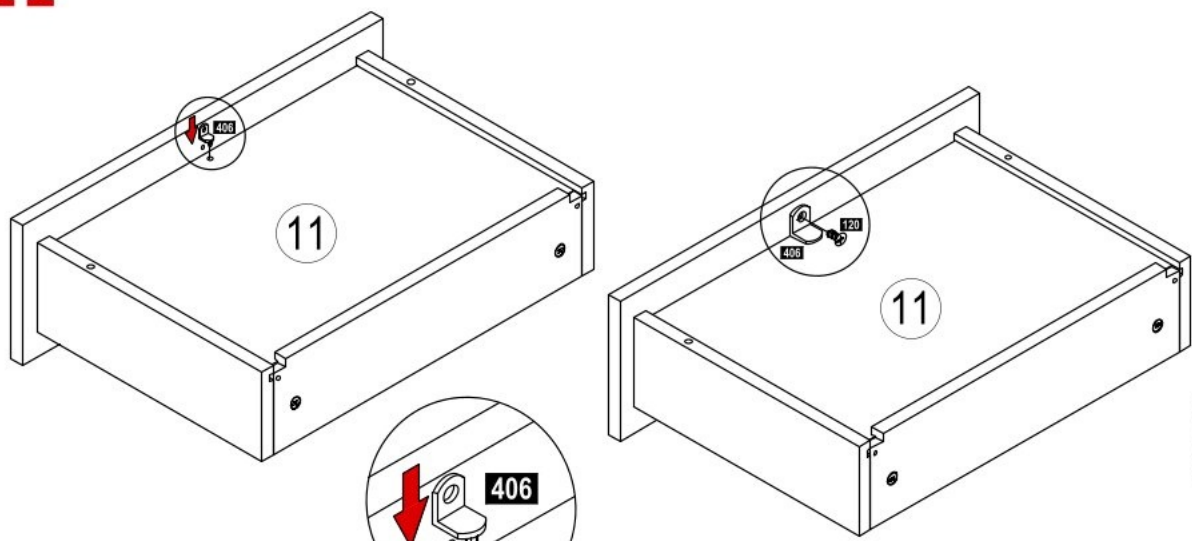
- 002** 2x
- 317** 2x
- 004** 4x

10

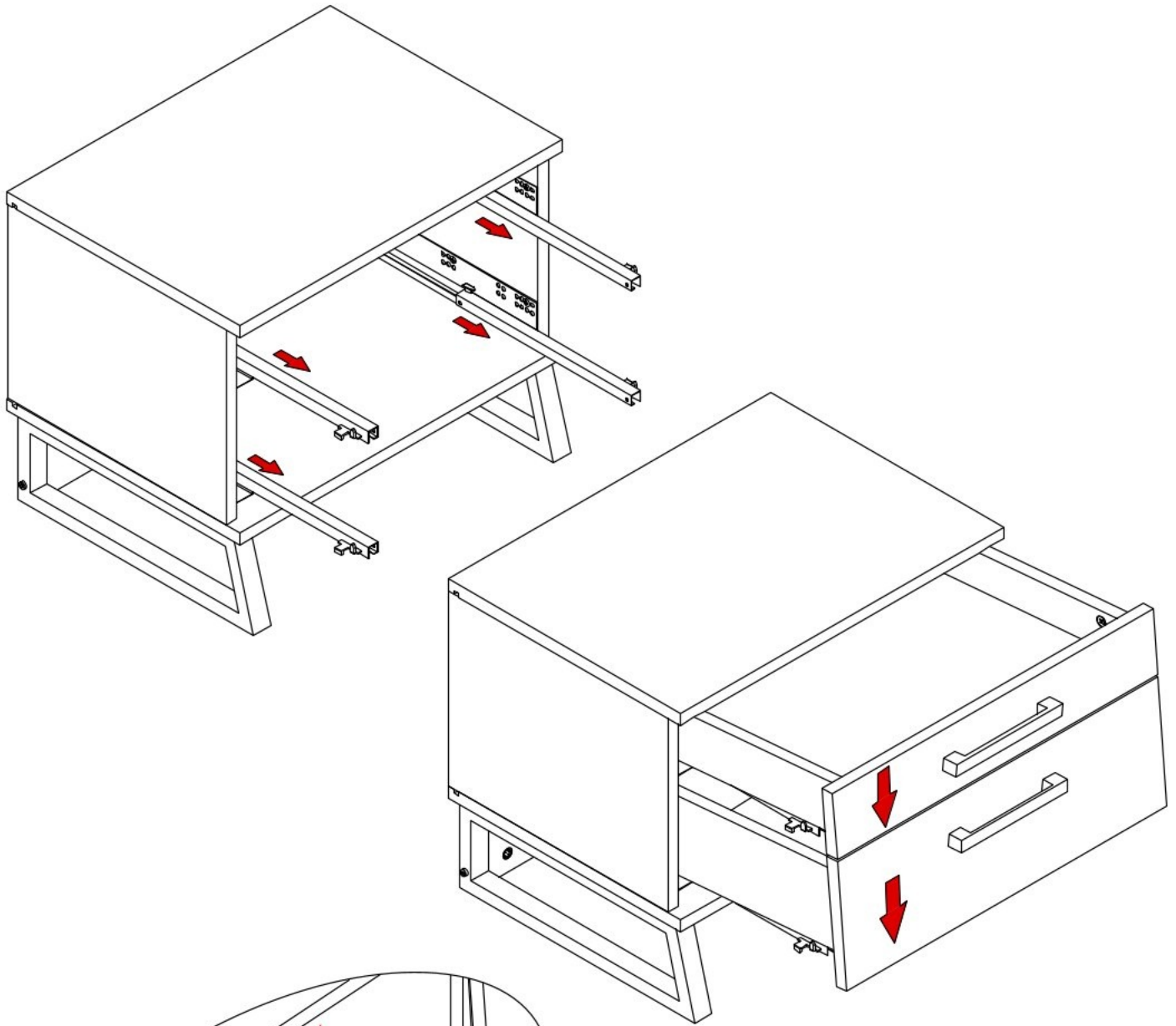


- 513** 1x
- 115** 2x
- 020** 4x
- 002** 4x
- 317** 4x
- 004** 2x

11



- 406** 1x
- 120** 1x



STEP 2-3

STEP 4

STEP 5

STEP 6

