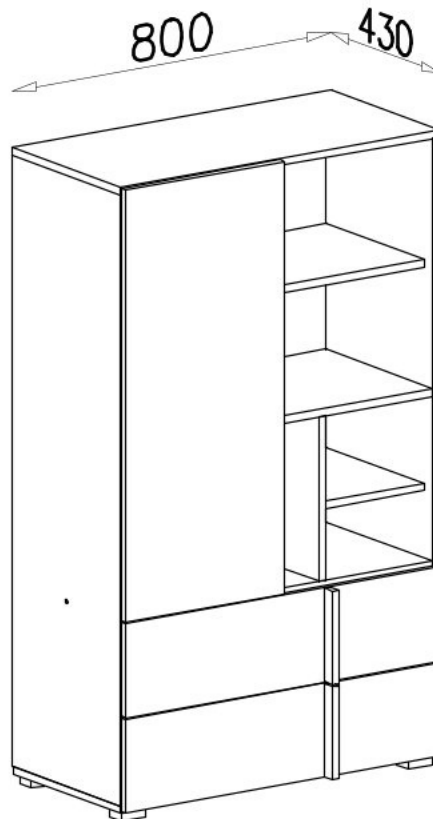
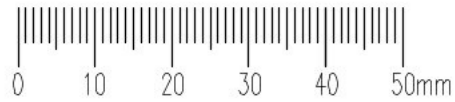
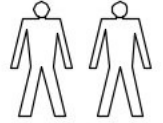
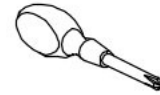
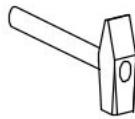
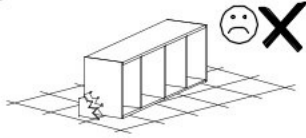
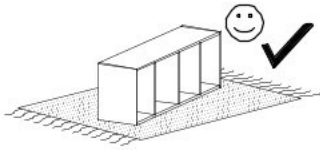

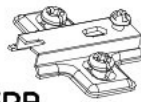




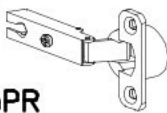
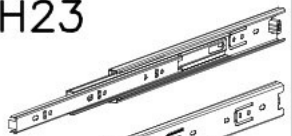






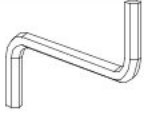




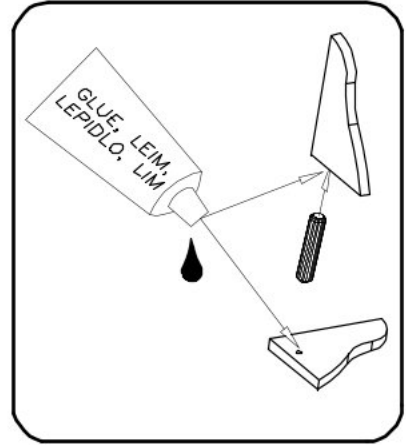
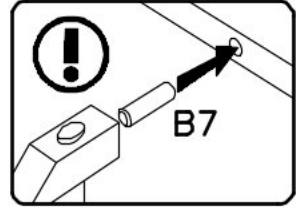
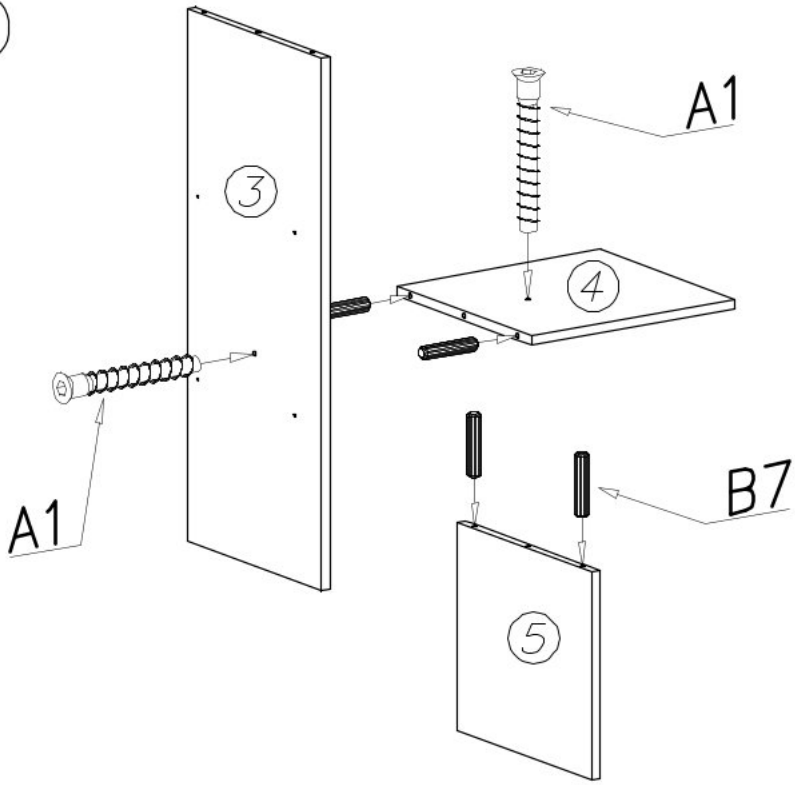
Kombinovaná skříň

MATEO

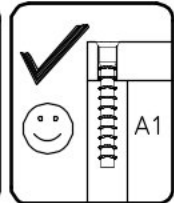
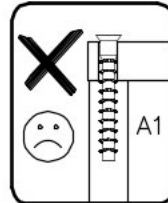
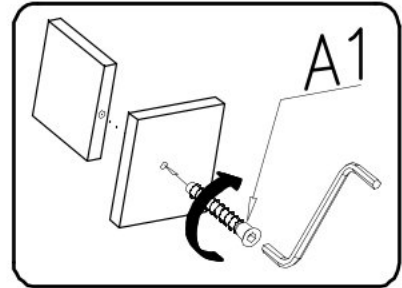
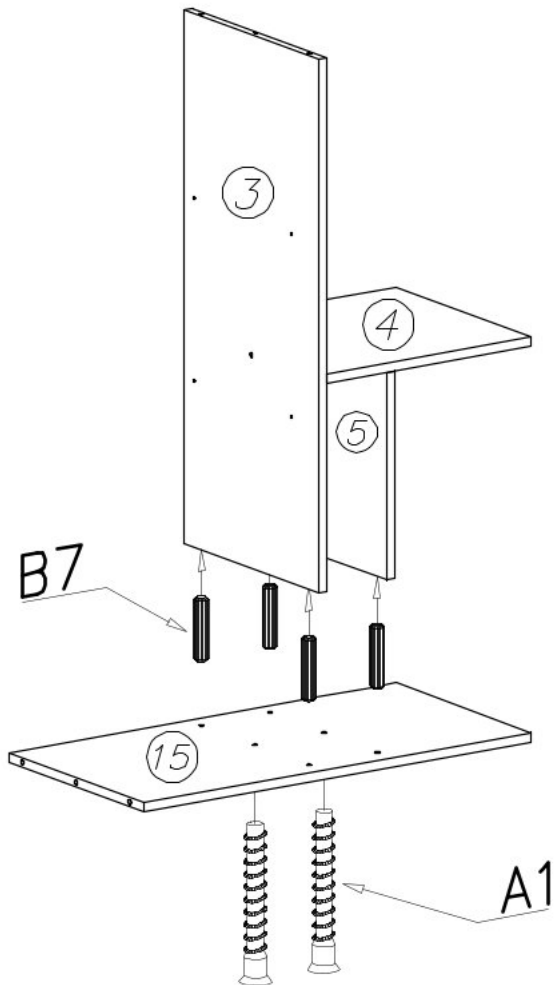


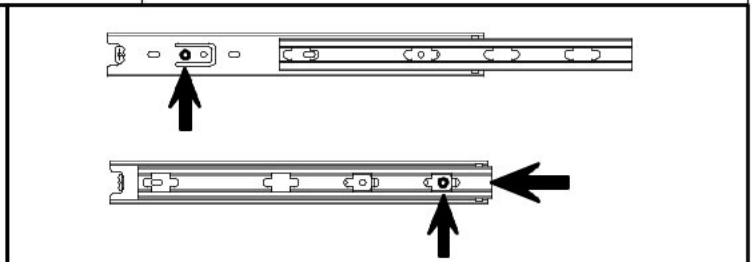
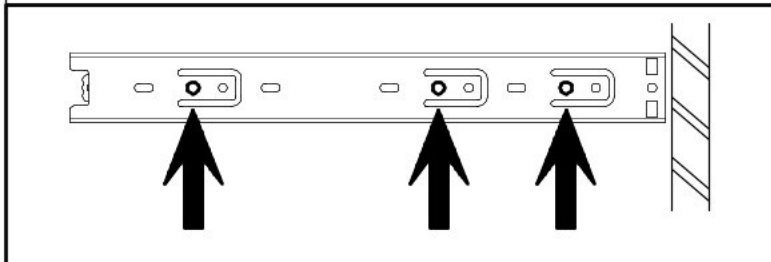
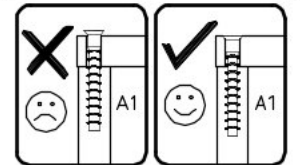
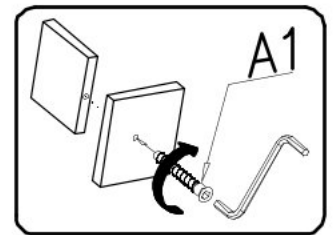
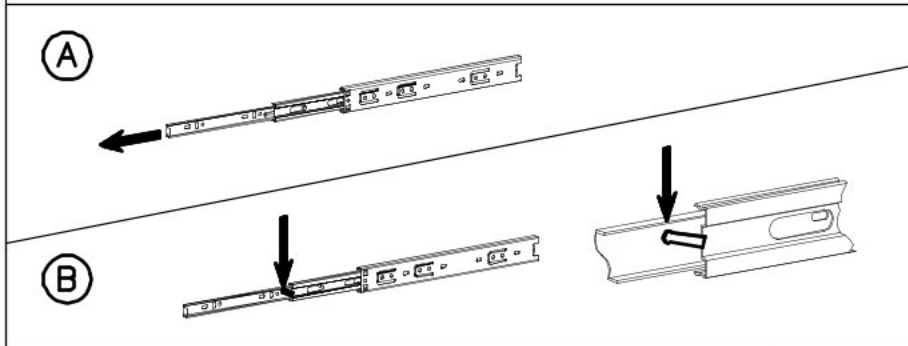
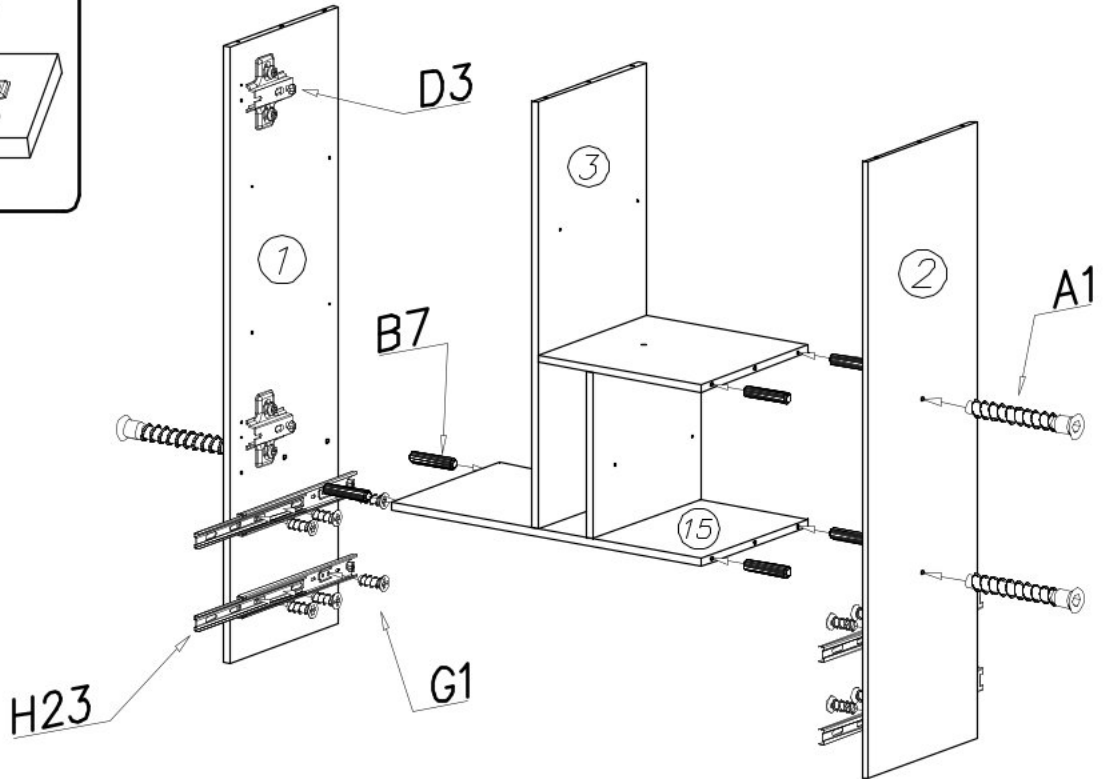
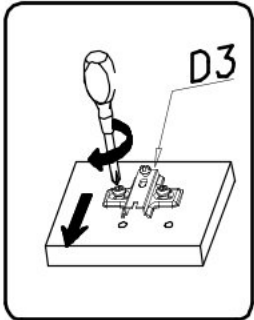
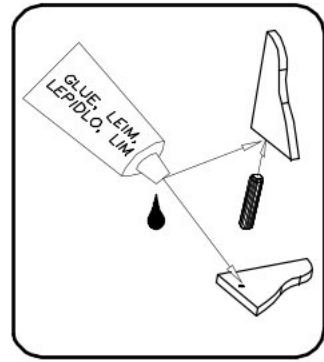
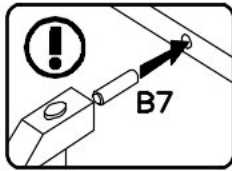
		B2  $\varnothing 6 \times 30$ x4	D3  PZ35PR x2	E1  198mm x2
P2  x4	W1  GLUE, LEIM, LEPIDLO, LIM x3	G8  4×30 x2	C3  Z35PR x2	H23  350mm x2
G12  $3,5 \times 25$ x8	G4  4×16 x4	G2  3×20 x50	S2  x10	
A1  $\varnothing 7 \times 50$ x9	B7  $\varnothing 8 \times 30$ x43	W2  x1	F1  x16	G1  4×13 x20

I

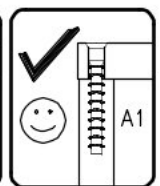
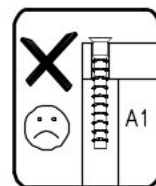
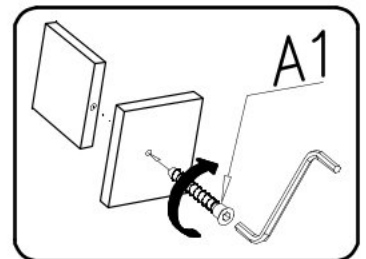
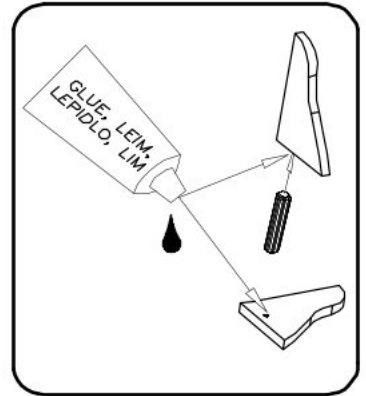
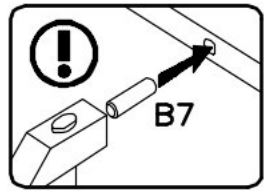
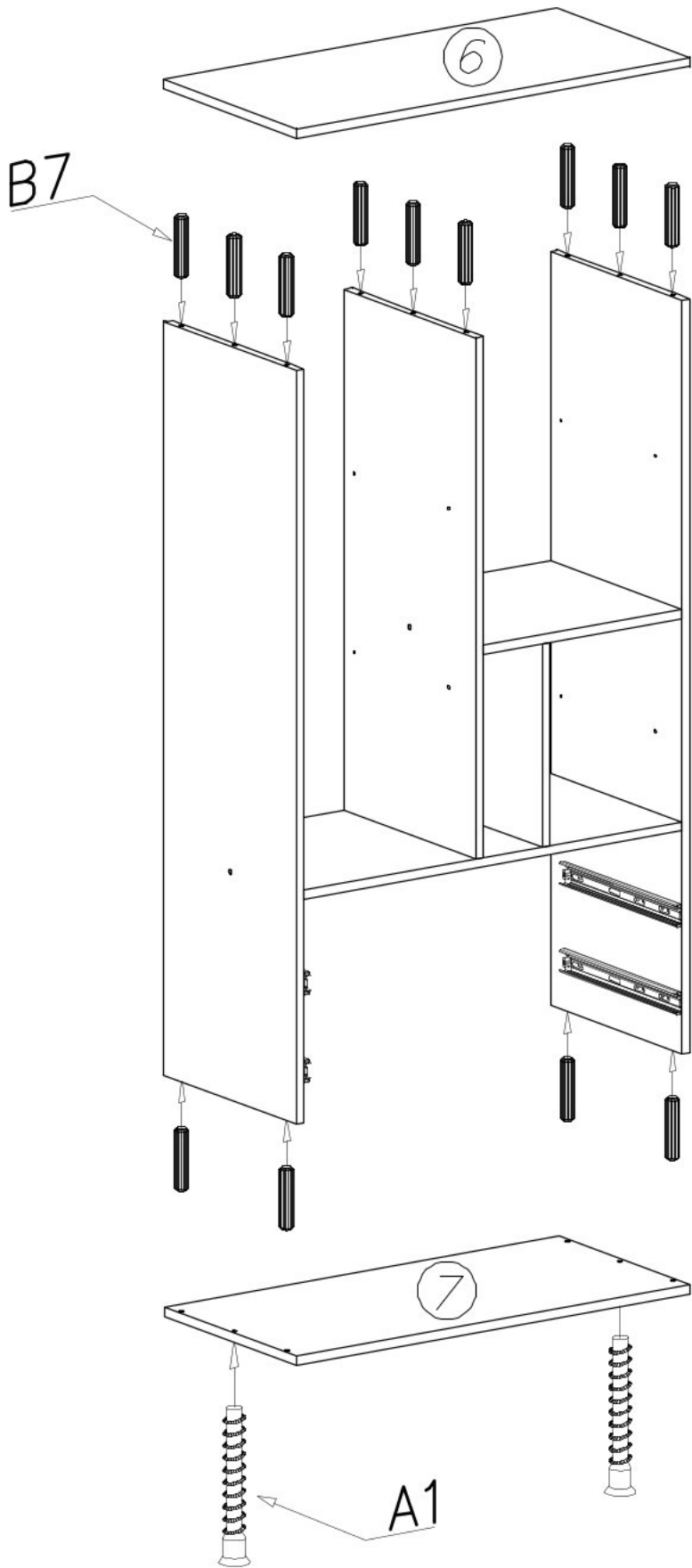


II

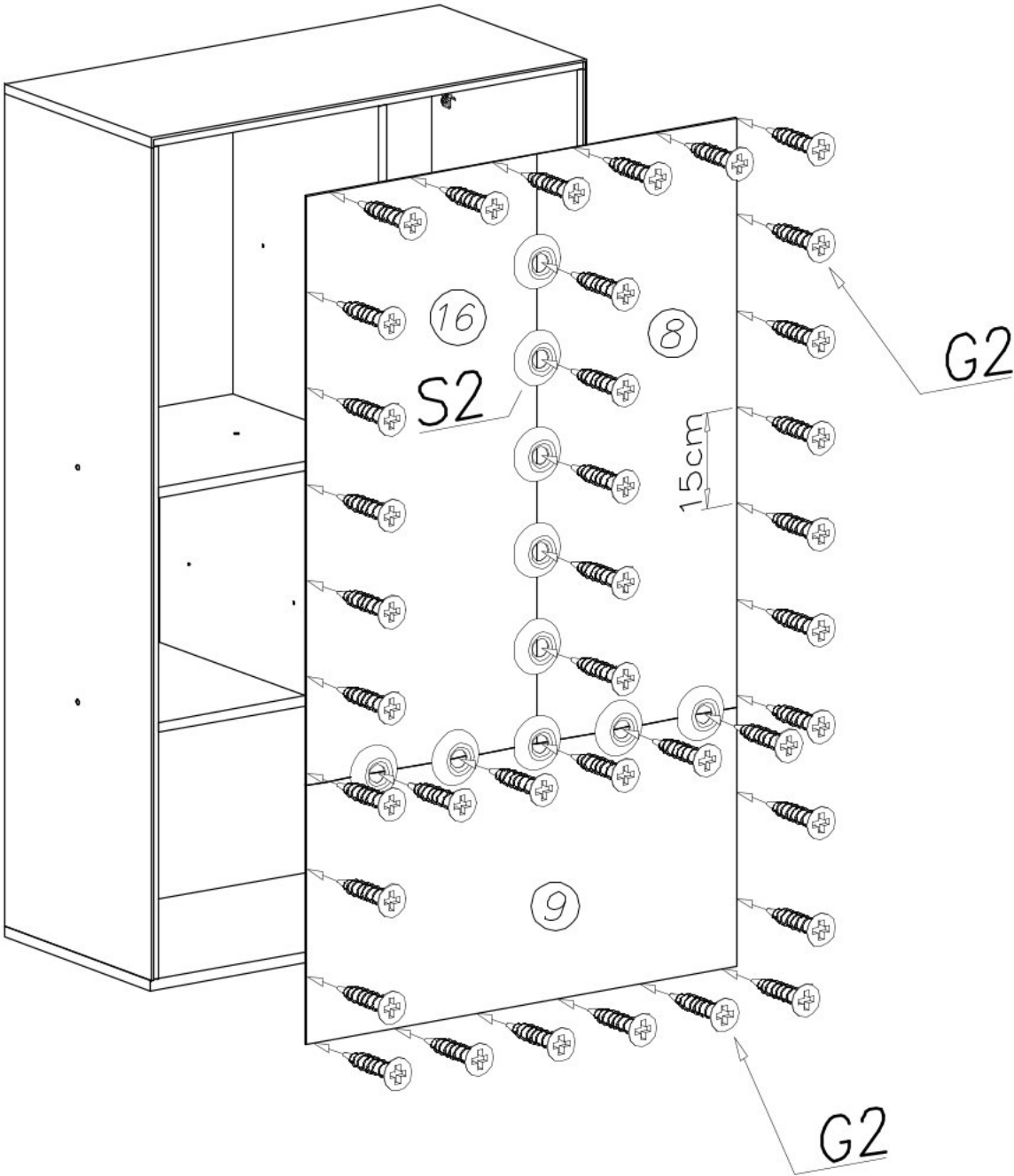
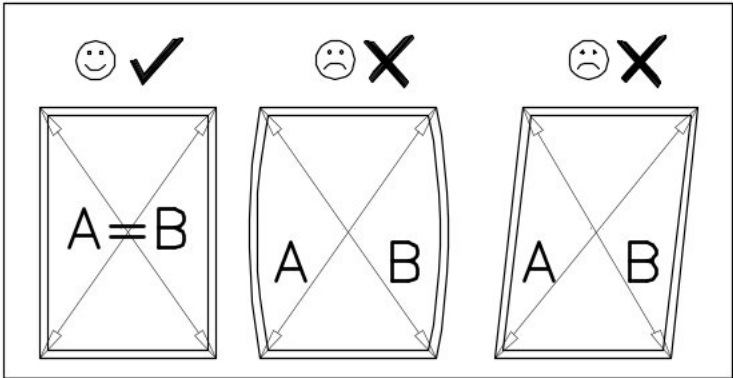




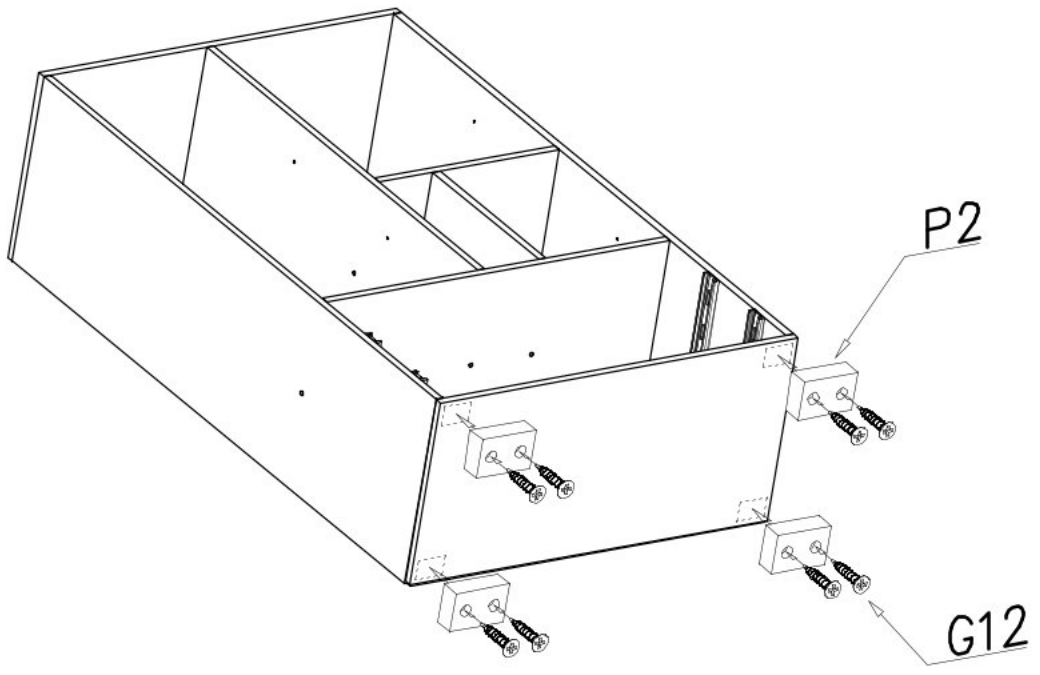
IV



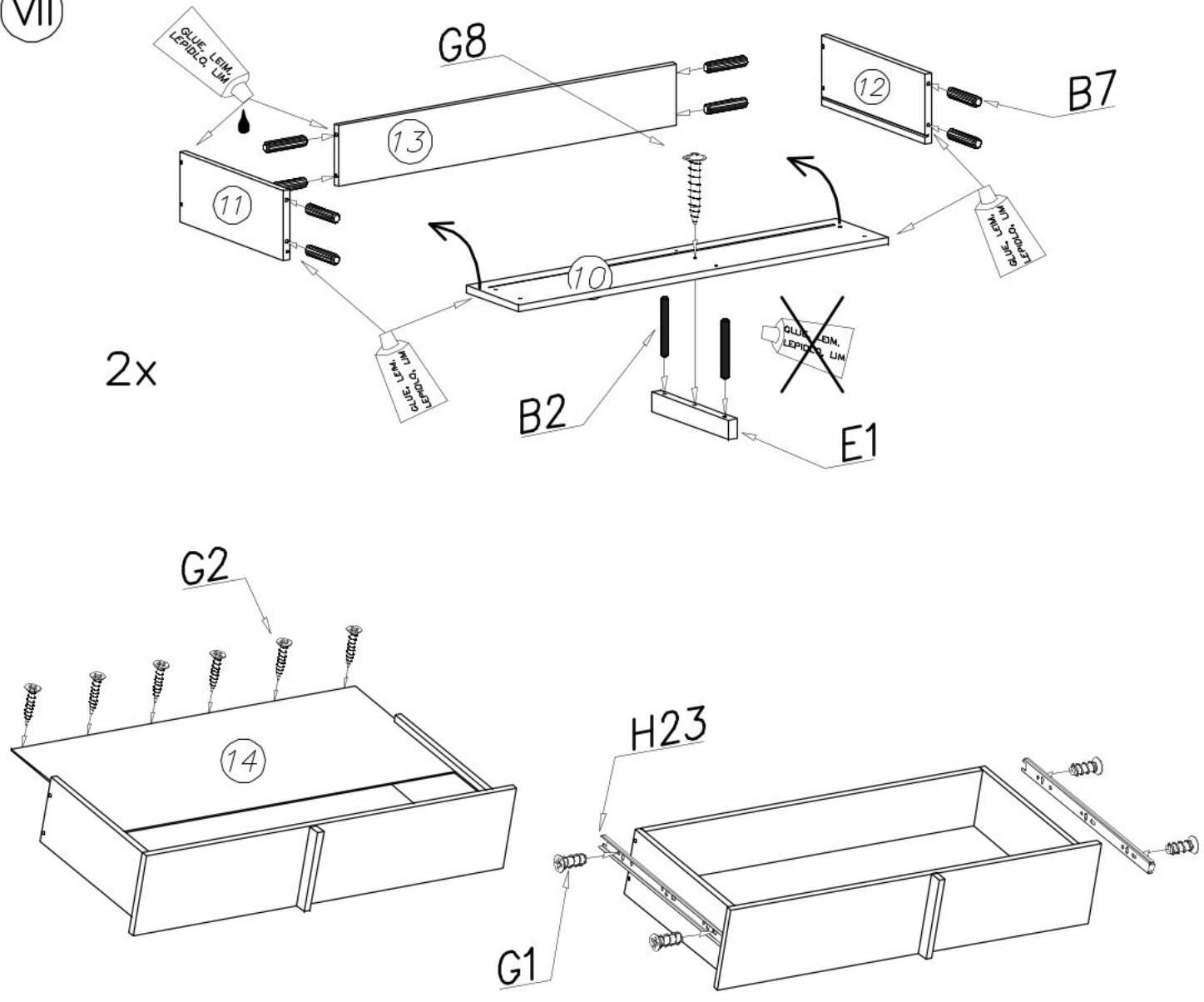
V

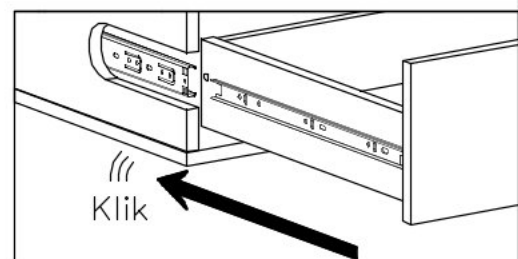
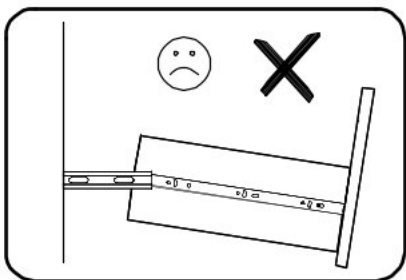
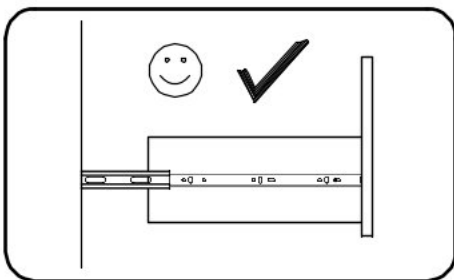
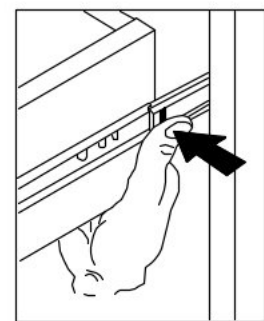
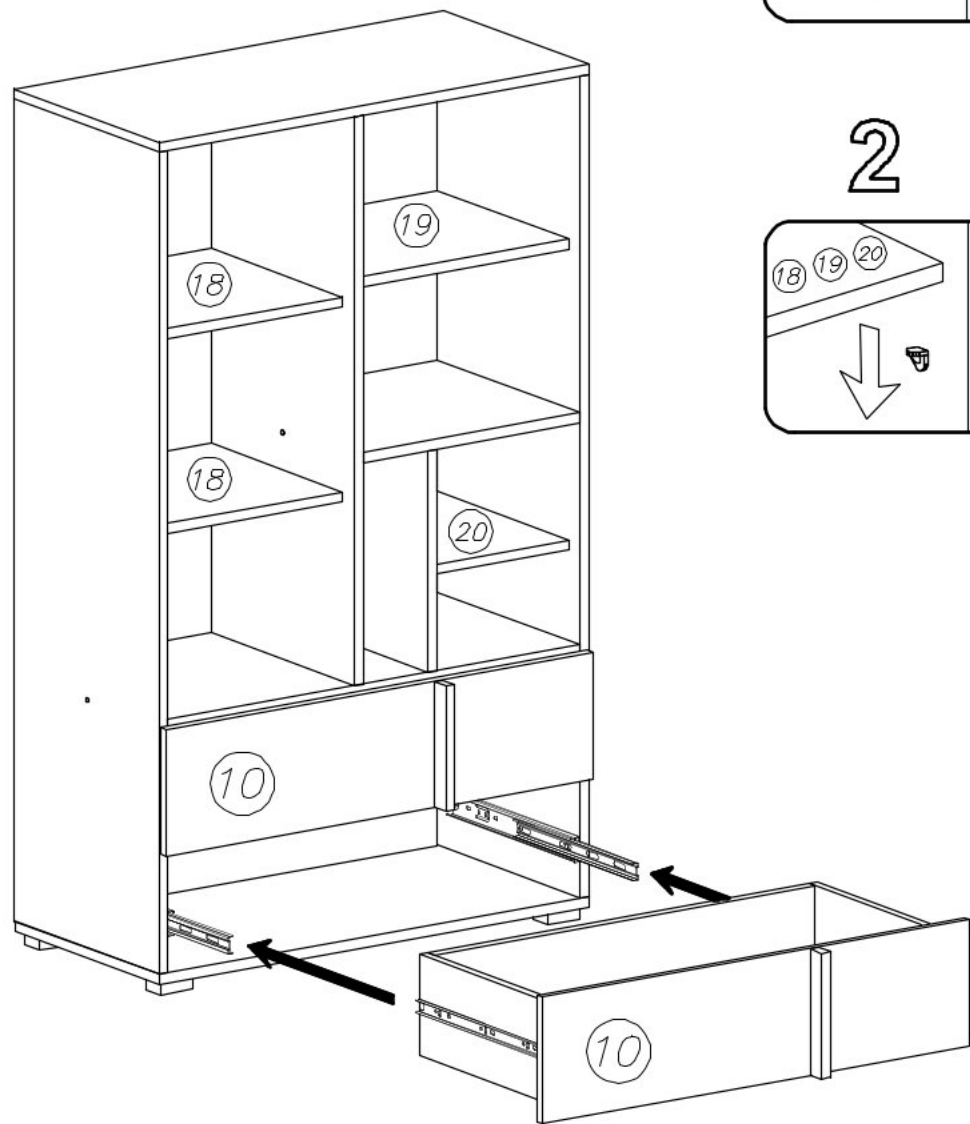
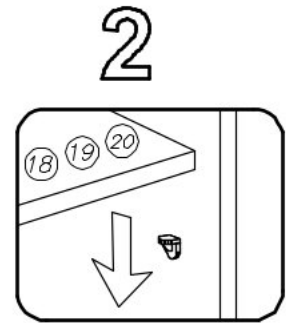
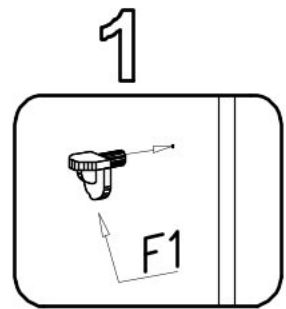


VI



VII





IX

