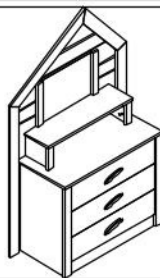
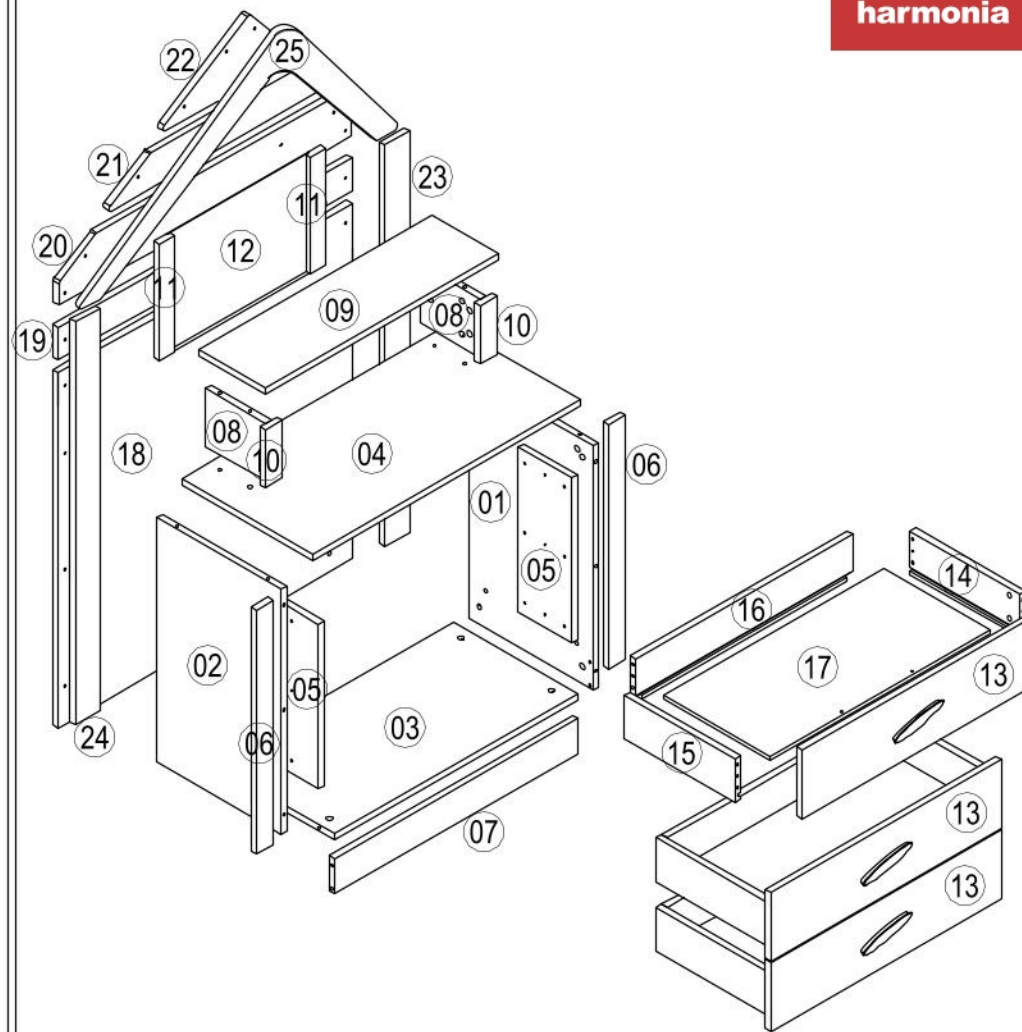


Dětská komoda se zrcadlem BOOM



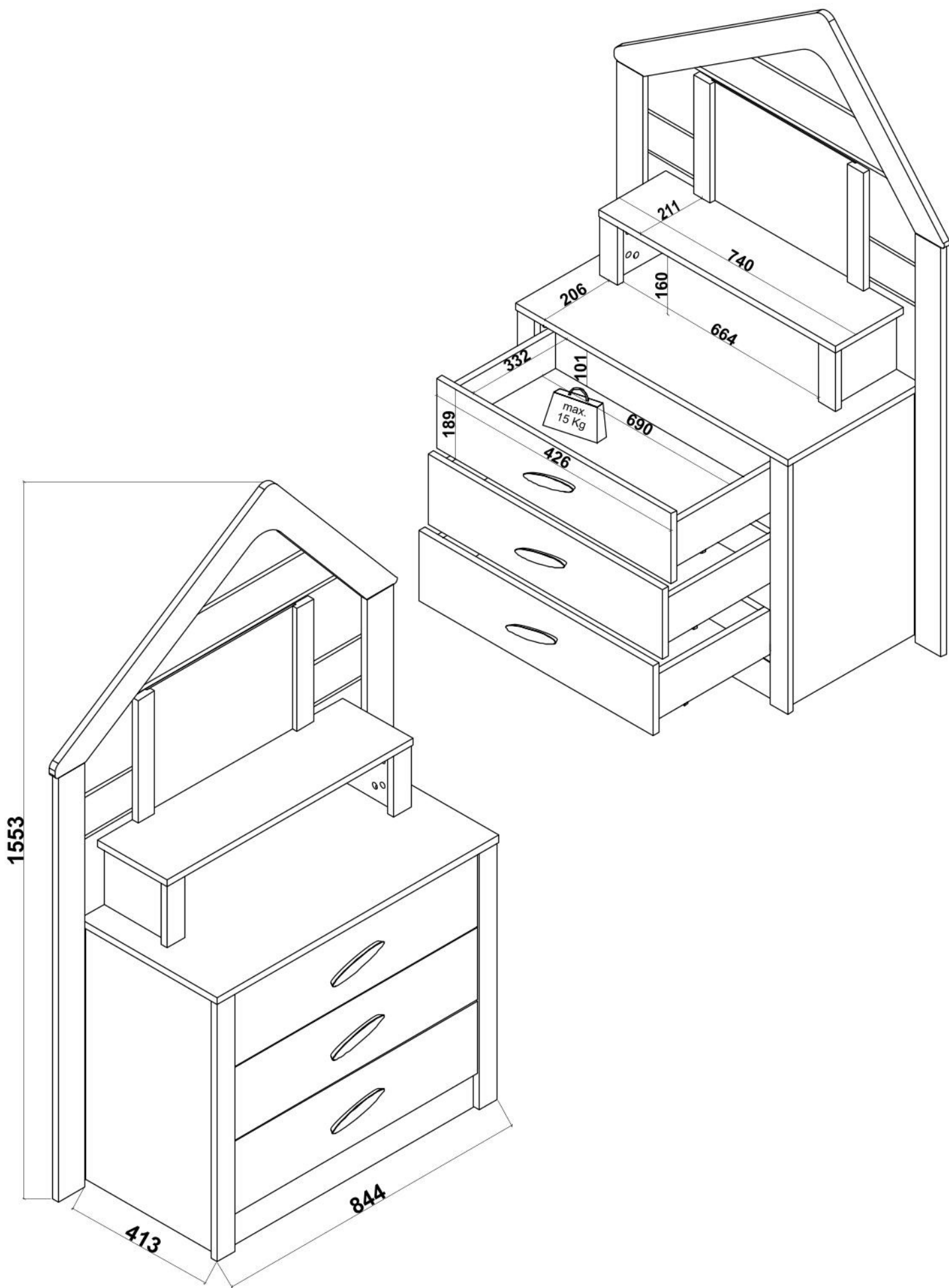
<p>ACCESSORIE NO : 317 10'LUK MÍNIFIX MİL</p> <p>38 ADET</p>	<p>ACCESSORIE NO : 002 TİTUS MÍNIFIX GÖVDE</p> <p>38 ADET</p>	<p>ACCESSORIE NO : 004 Ø8x30 KAVELA</p> <p>30 ADET</p>	<p>ACCESSORIE NO : 020 MİNIFIX TAPA KAYIN</p> <p>10 ADET</p>	<p>ACCESSORIE NO : 105 M6*30 YSB VİDA</p> <p>22 ADET</p>
<p>ACCESSORIE NO : 091 KABİN VİDASI (50mm)</p> <p>4 ADET</p>	<p>ACCESSORIE NO : 120 6,3*13 MM EURO VİDA</p> <p>18 ADET</p>	<p>ACCESSORIE NO : 406 PLS. RAF PİMİ EURO VİDALI</p> <p>6 ADET</p>	<p>ACCESSORIE NO : 095 4*30 MM S. VİDASI</p> <p>6 ADET</p>	<p>ACCESSORIE NO : 410 TANDEM RAY 350 (SAMET)</p> <p>3 TAKIM</p>
<p>ACCESSORIE NO : 418 ATLAS KULP KAYIN</p> <p>3 ADET</p>	<p>ACCESSORIE NO : 533 3,9*28 MM PLS.VİDA</p> <p>6 ADET</p>	<p>ACCESSORIE NO : 096 4*40 MM S. VİDASI</p> <p>2 ADET</p>	<p>ACCESSORIE NO : 020 MİNIFIX TAPA BEYAZ</p> <p>12 ADET</p>	



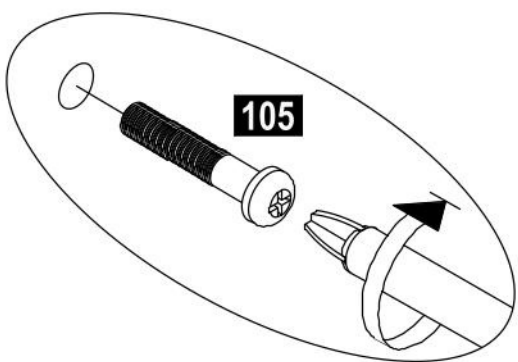
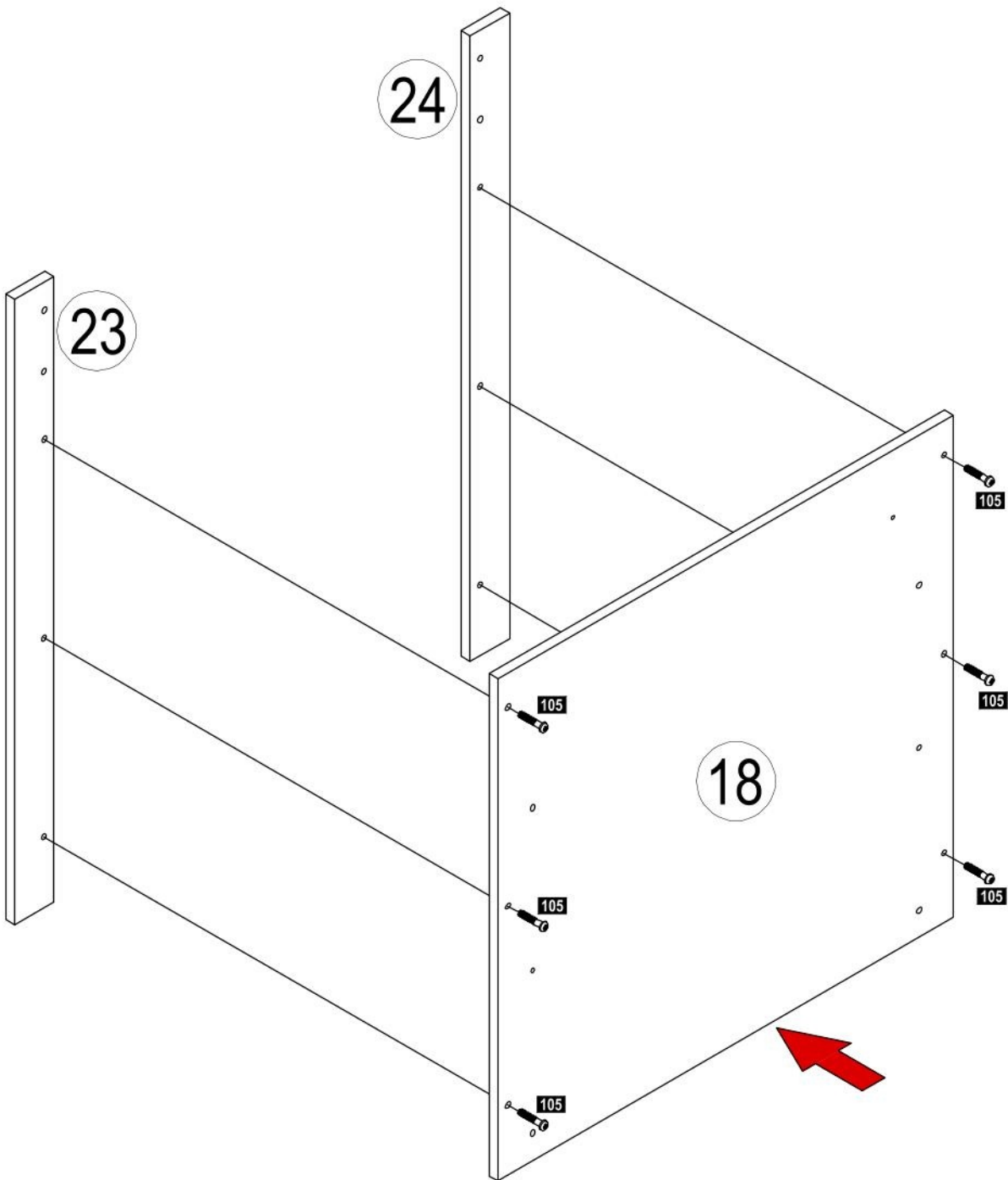
NO	ADET/PCS	ÖLÇÜ/DIMENSIONS	NO	ADET/PCS	ÖLÇÜ/DIMENSIONS	NO	ADET/PCS	ÖLÇÜ/DIMENSIONS
01	1	673 x 395	11	2	320 x 50	21	1	706 x 105
02	1	673 x 395	12	1	450 x 320	22	1	430 x 192
03	1	772 x 393	13	3	732 x 189	23	1	1107 x 80
04	1	848 x 415	14	3	350 x 120	24	1	1107 x 80
05	2	454 x 170	15	3	350 x 120	25	1	1033 x 450
06	2	672 x 54	16	3	690 x 120			
07	1	772 x 96	17	3	700 x 337			
08	2	191 x 160	18	1	932 x 890			
09	1	740 x 211	19	1	932 x 100			
10	2	160 x 54	20	1	932 x 184			

PLEASE ORDER THE ACCESSORIES ACCORDING TO THE REFERENCE NUMBER ON THE DRAWING(EXAMPLE ACCESSORIE NO-008 RAFIX MİL 1.PCS.)

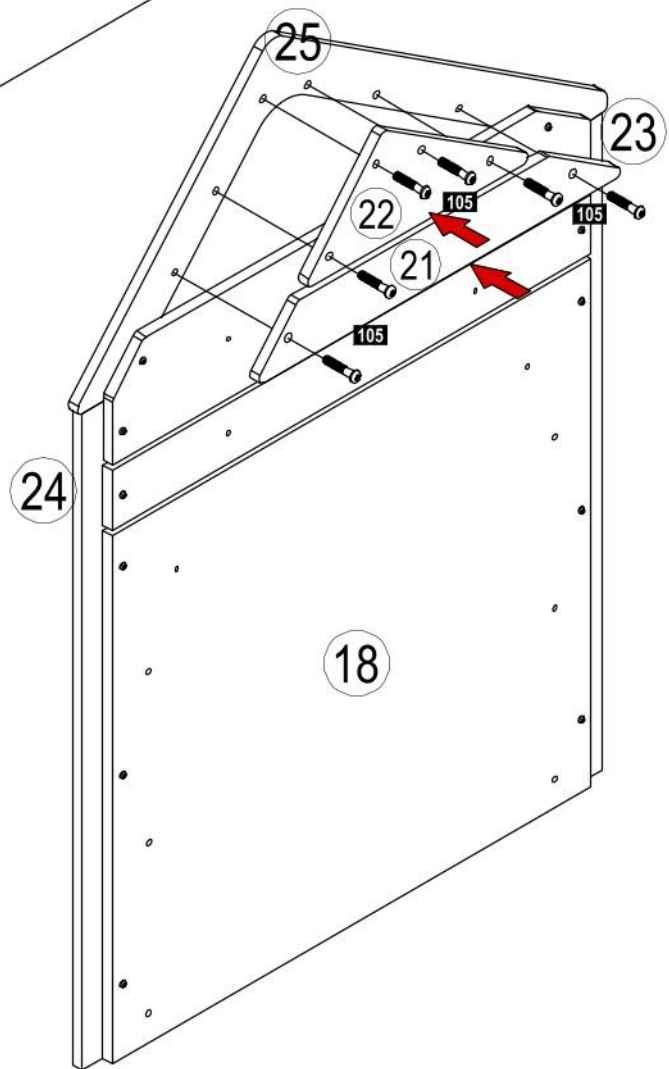
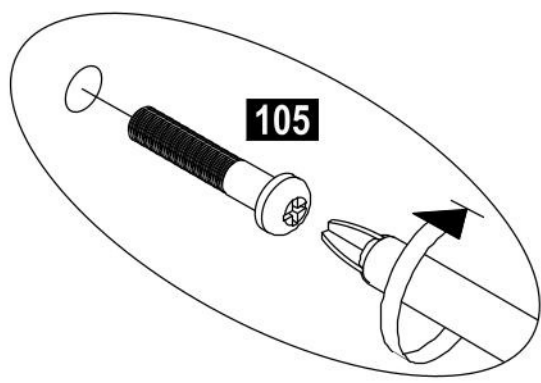
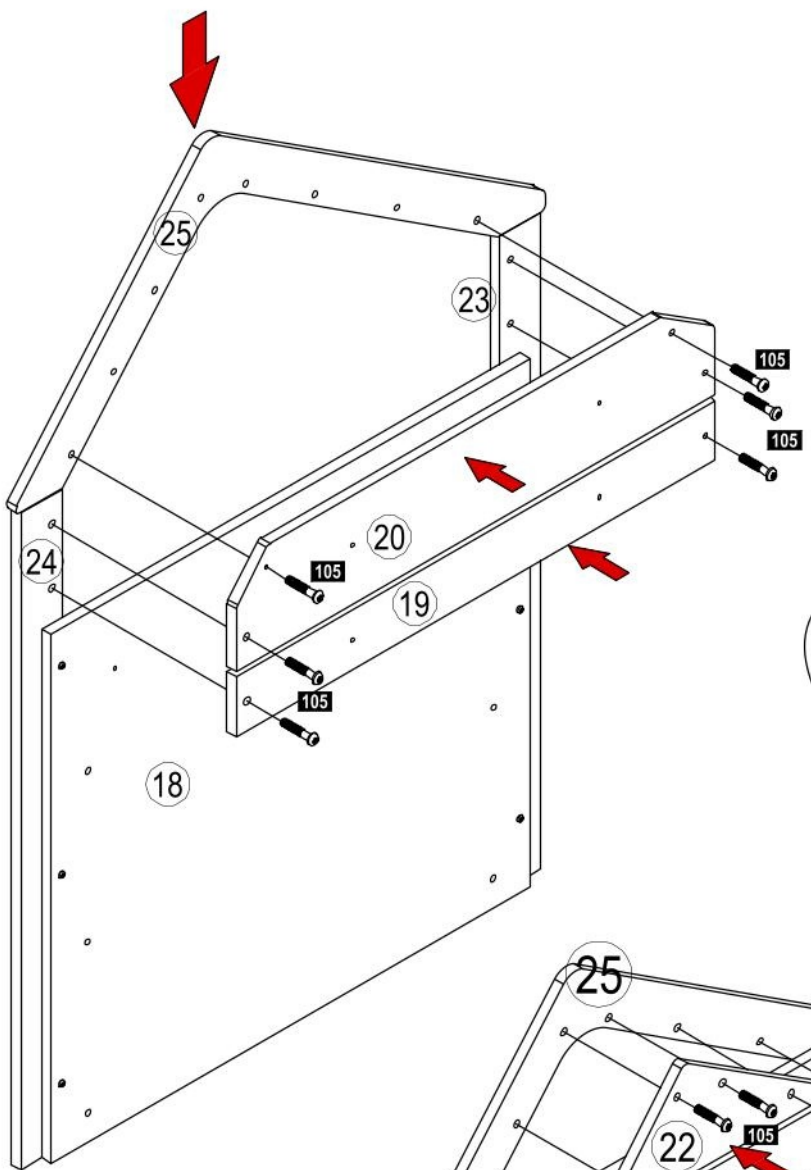
PLEASE ORDER THE SPARE PARTS ACCORDING TO THE REFERENCE NUMBER ON THE DRAWING

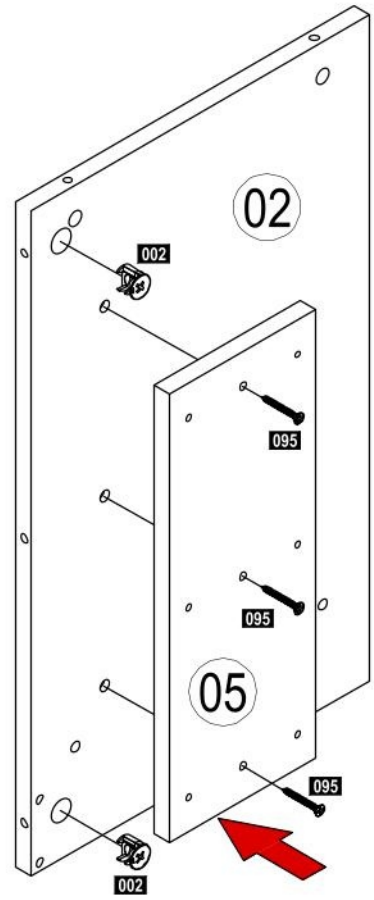
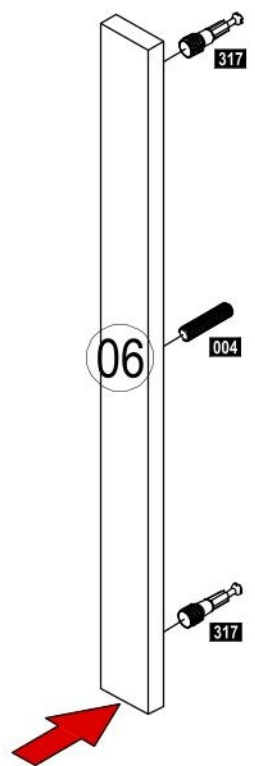
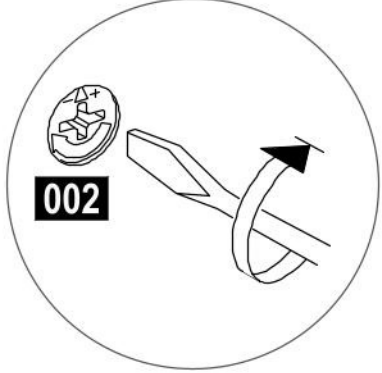
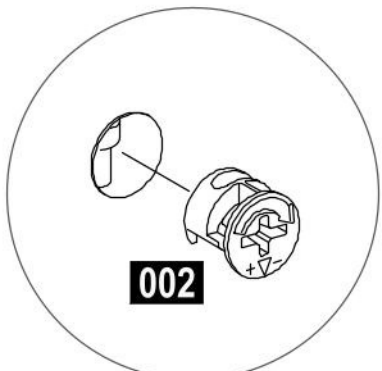
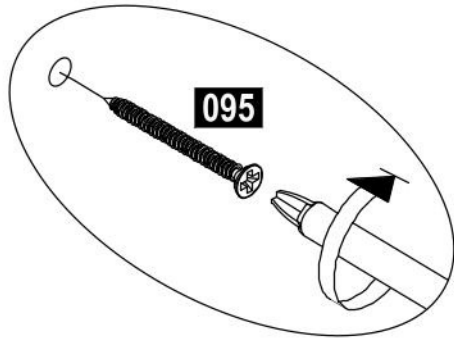
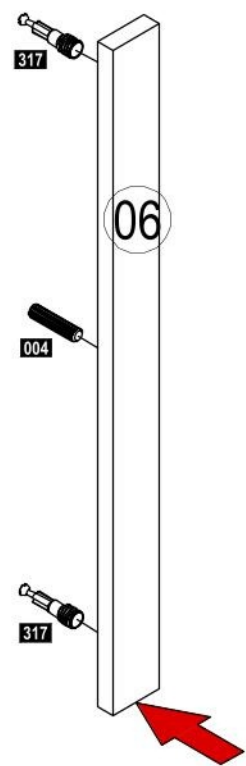
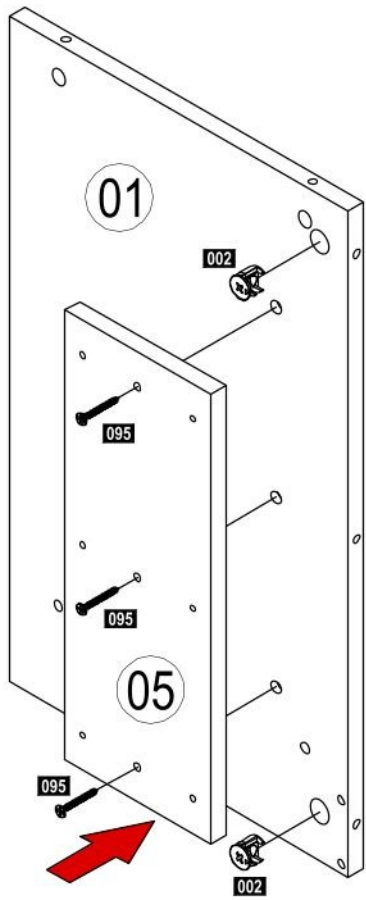




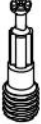

1



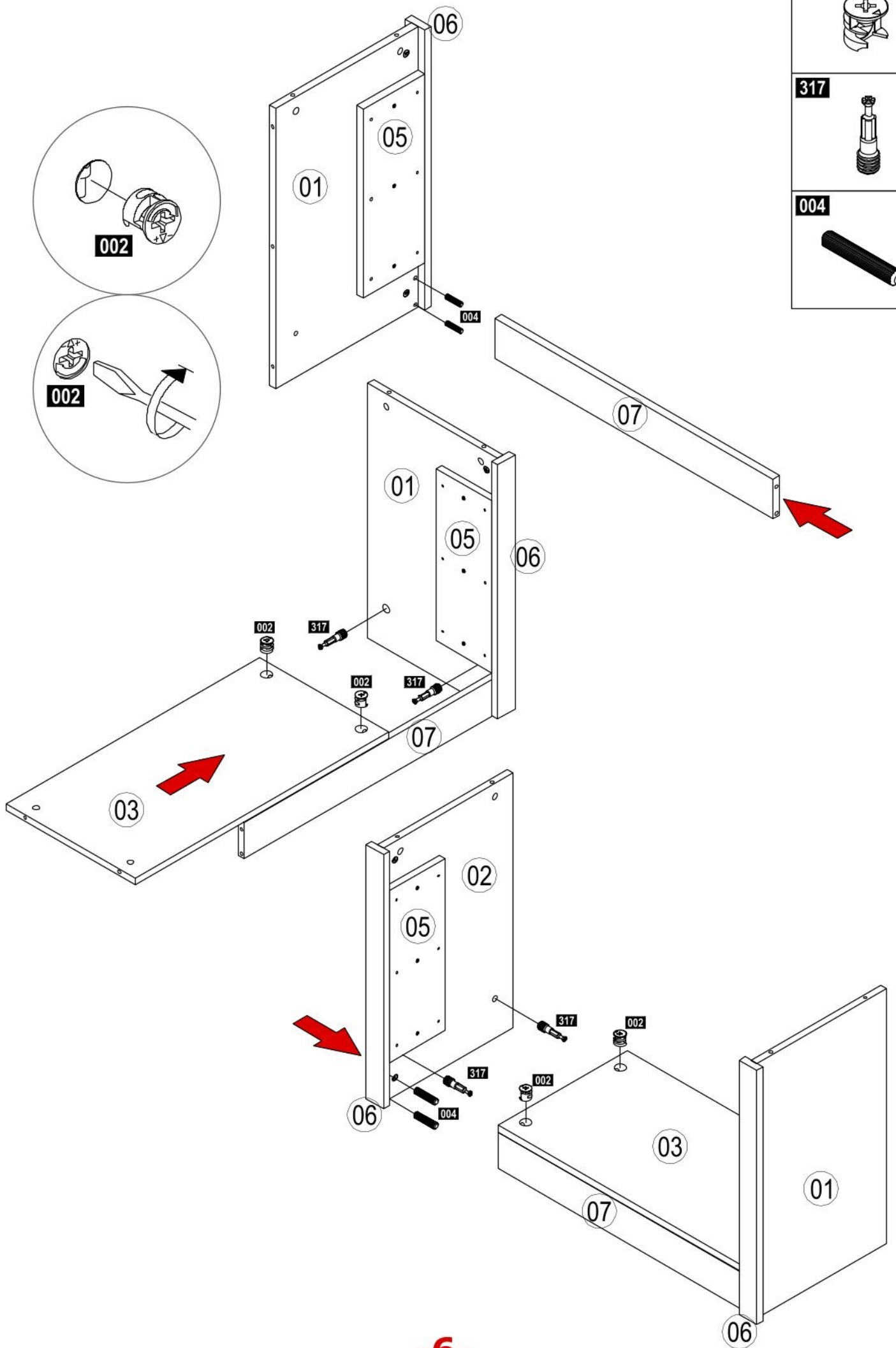
2





- 095  6x
- 002  4x
- 317  4x
- 004  2x

4



5

002

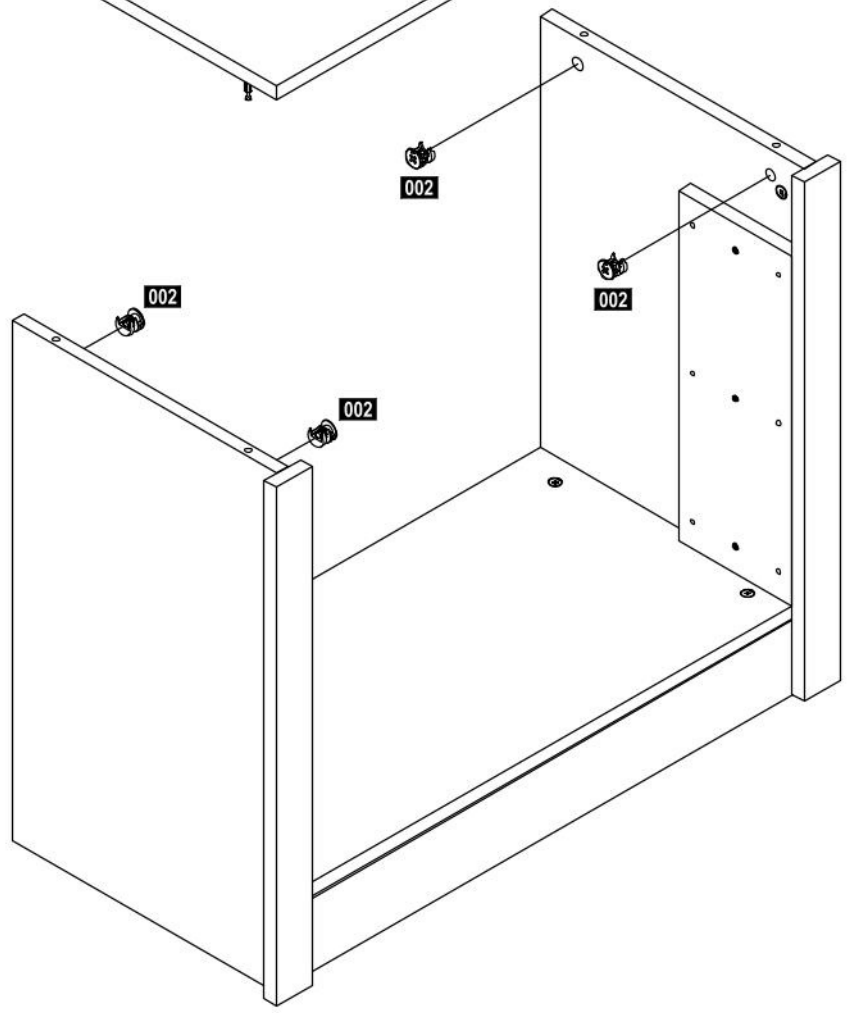
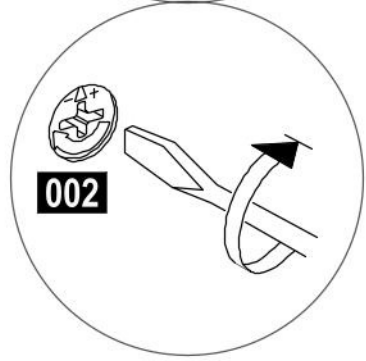
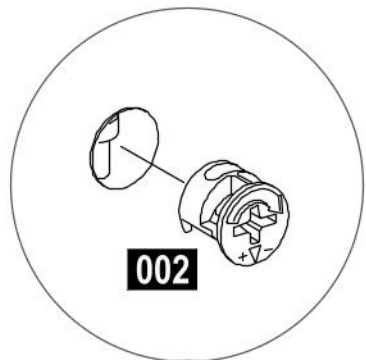
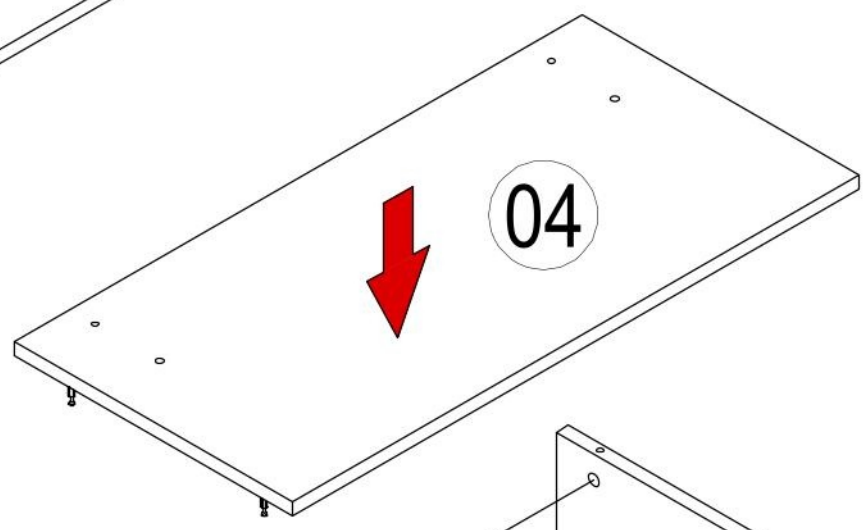
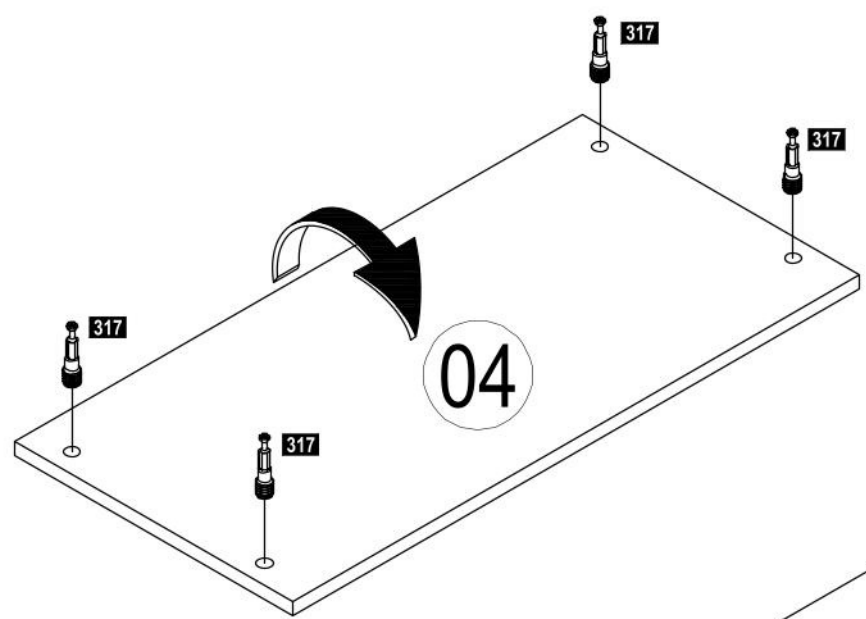


4x

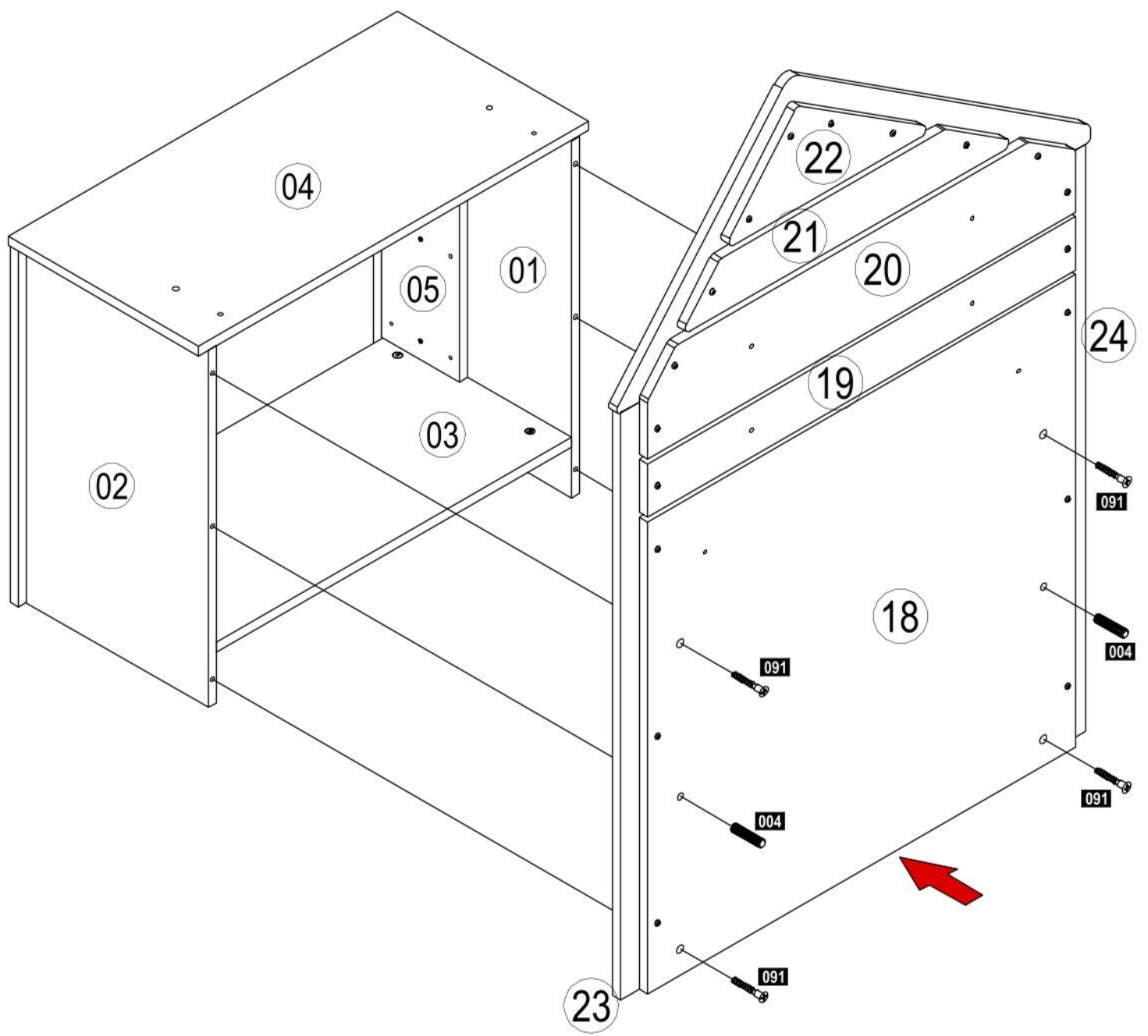
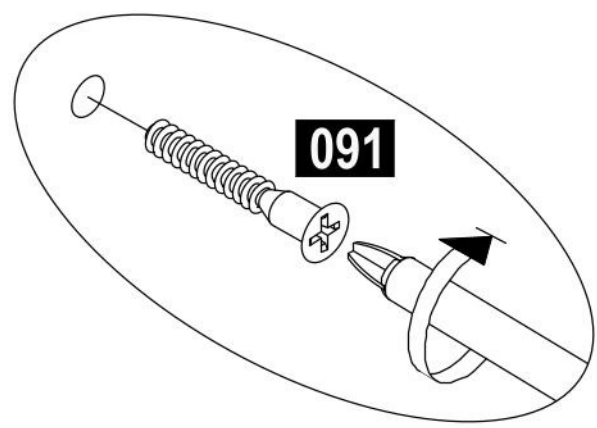
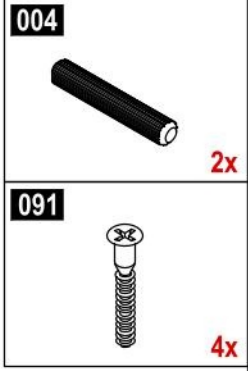
317

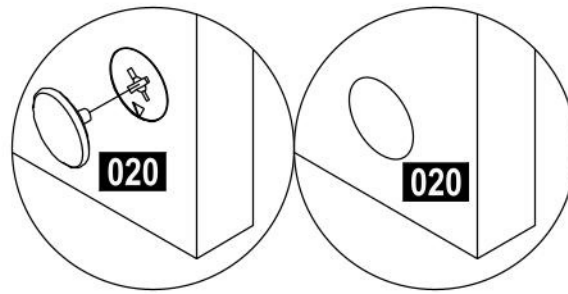
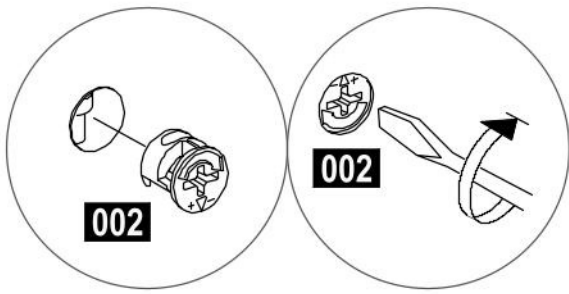


4x

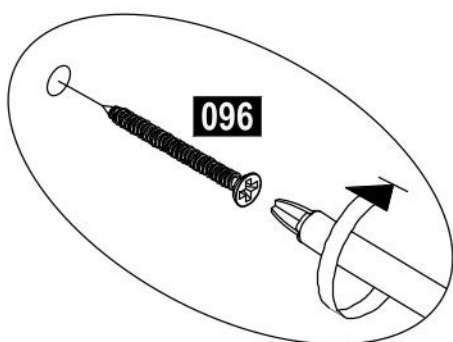
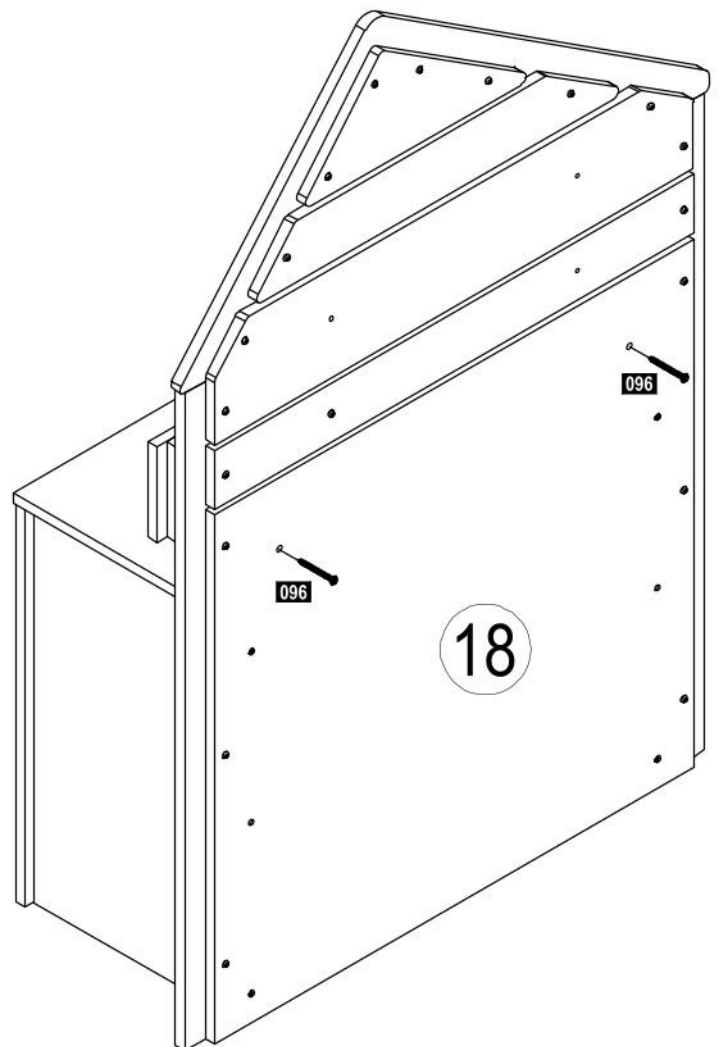
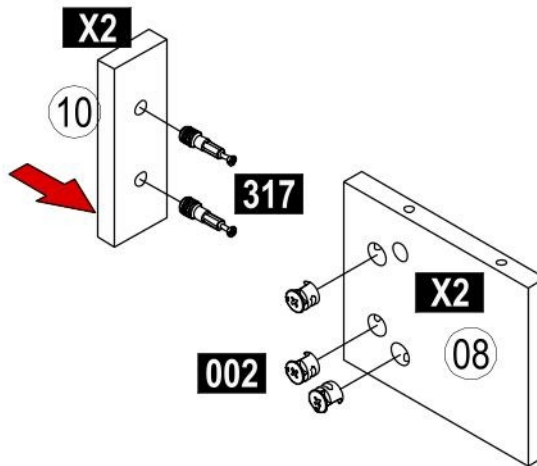
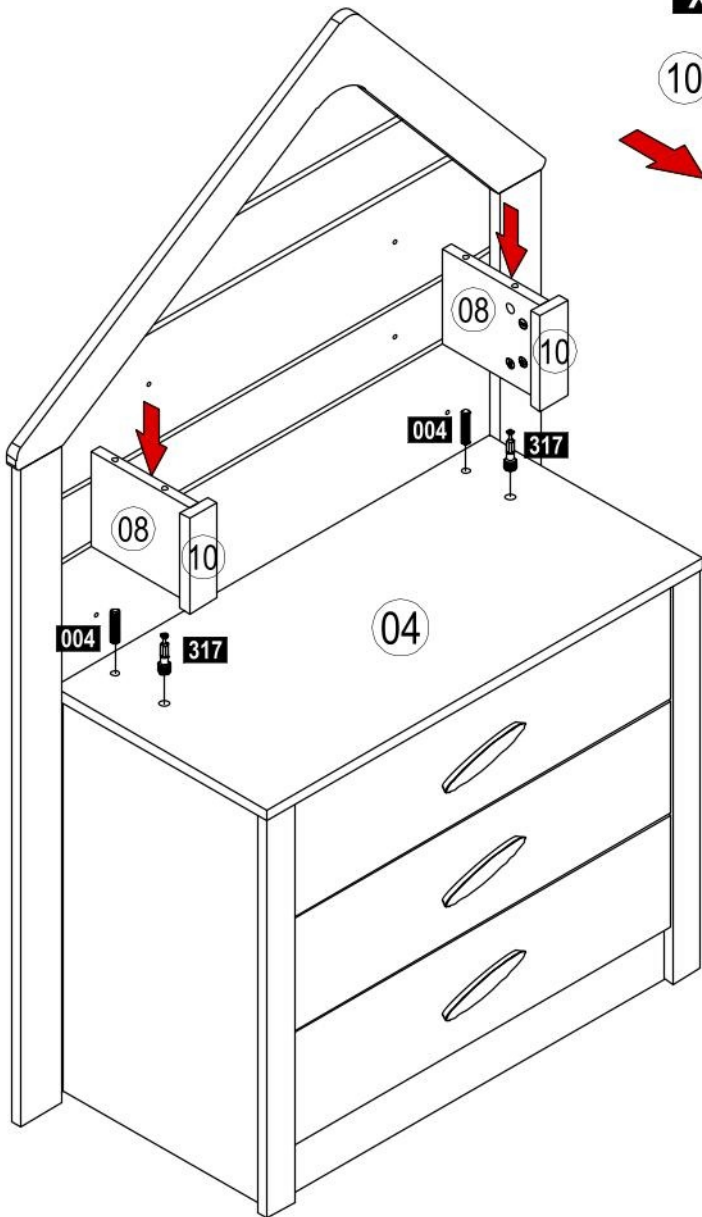


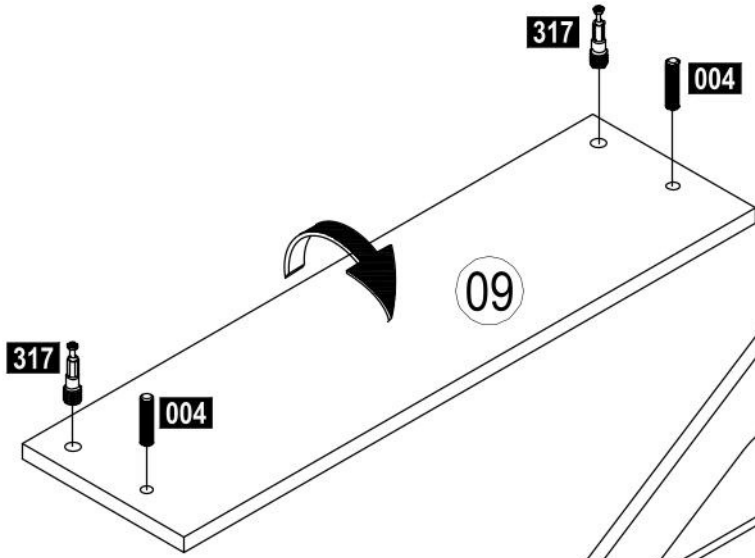
6







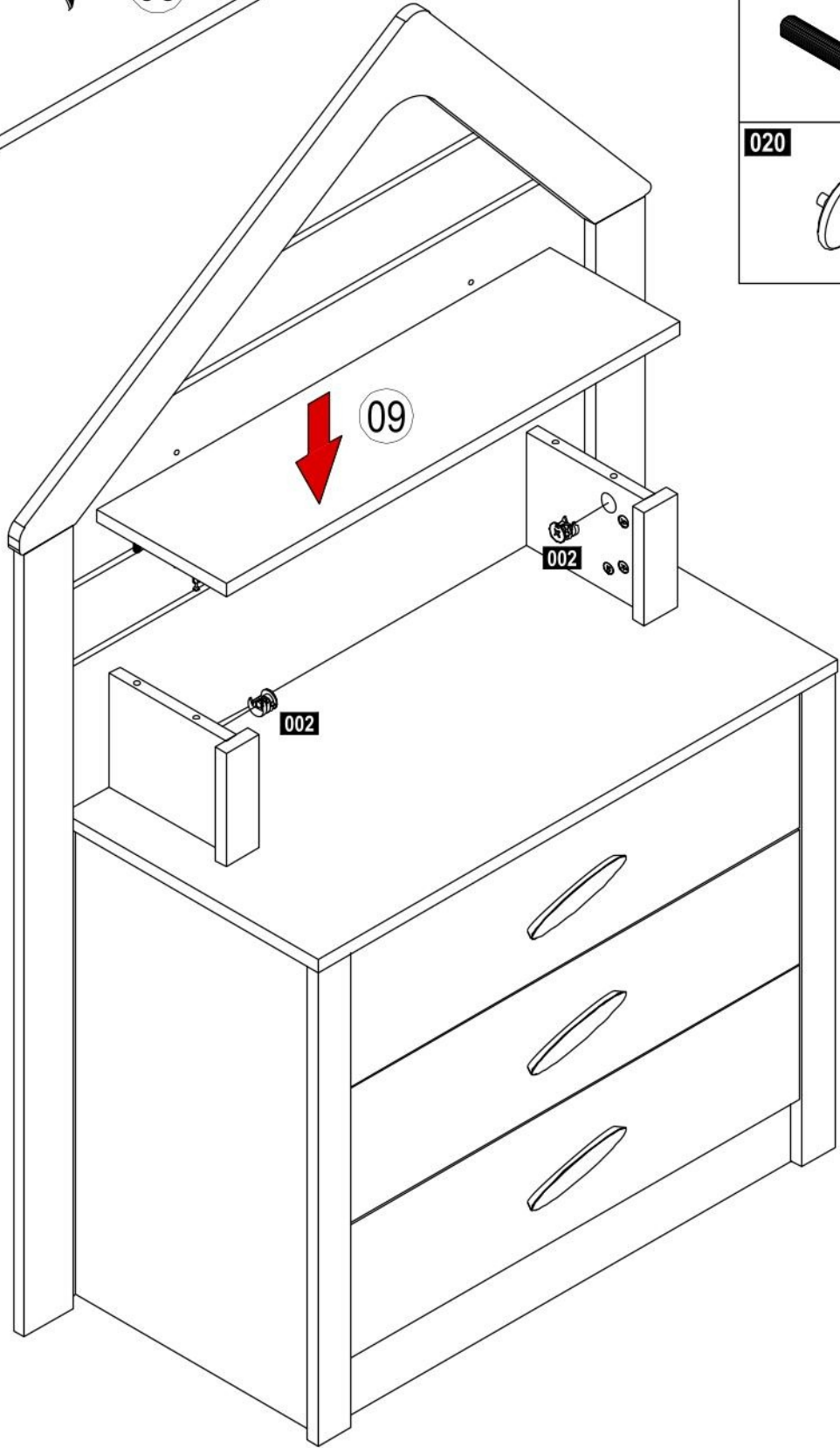
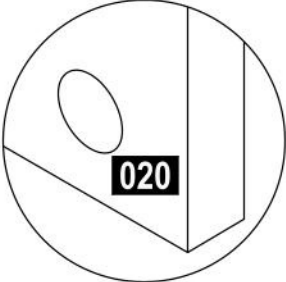
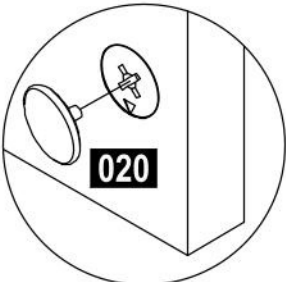
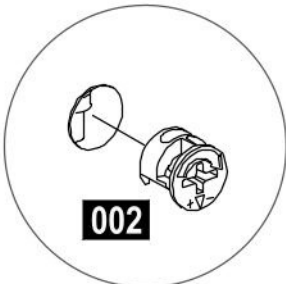


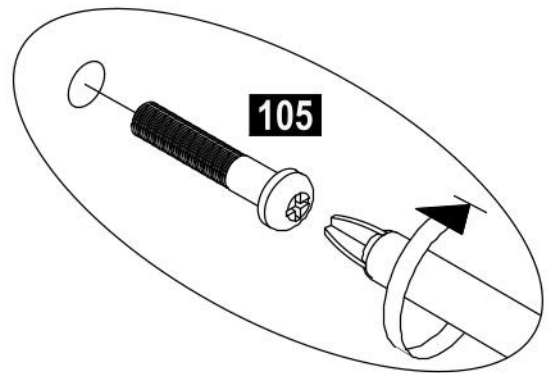
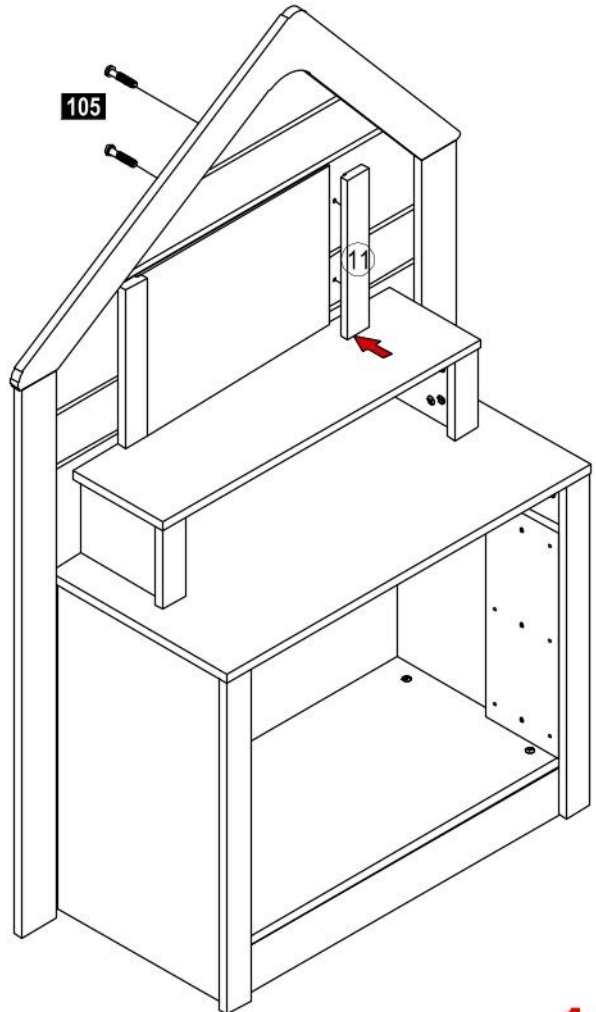
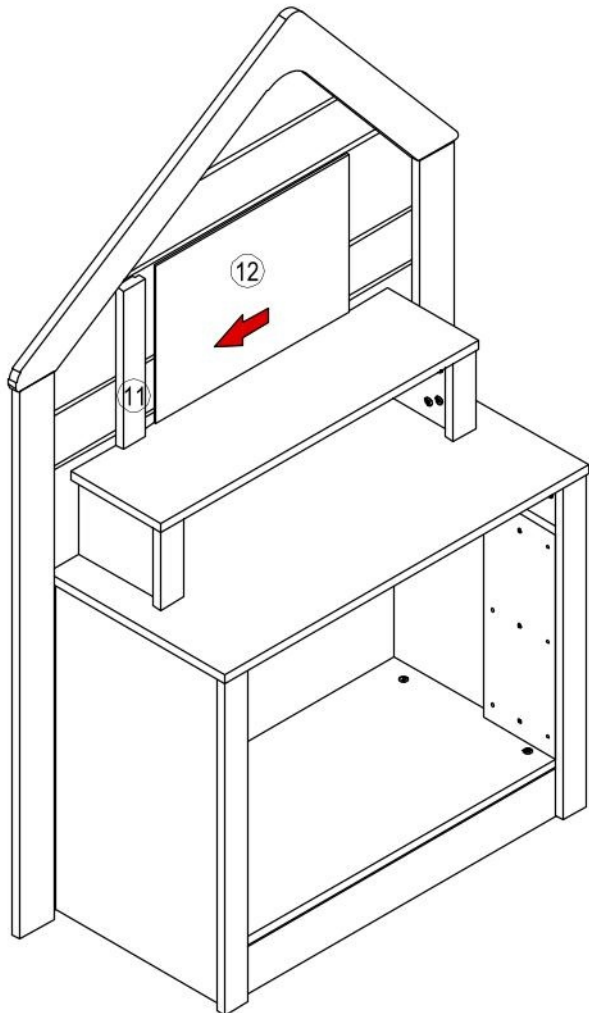
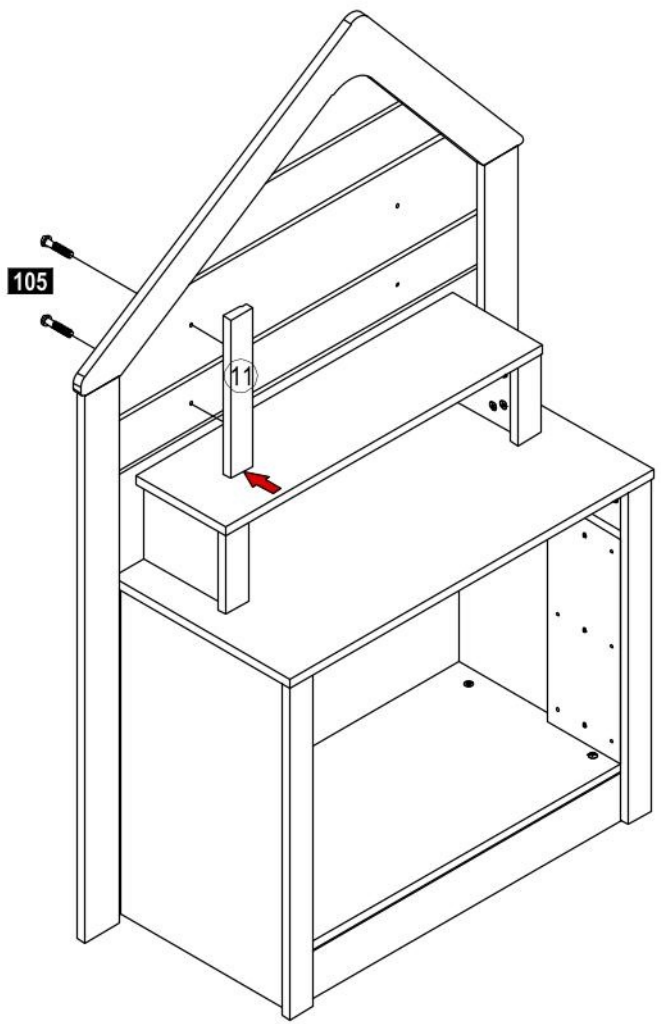
- 002**  6x
- 317**  6x
- 004**  2x
- 096**  2x
- 020**  6x



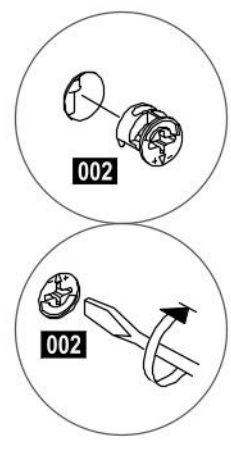
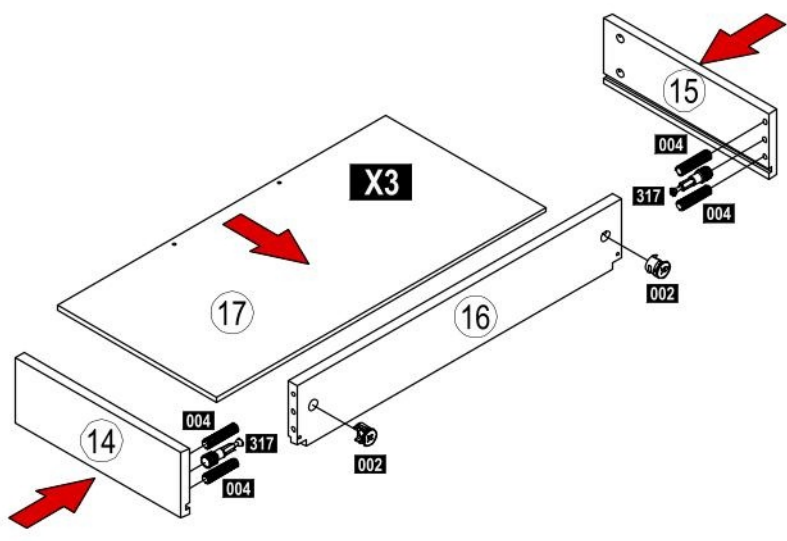


- 002  2x
- 317  2x
- 004  2x
- 020  2x



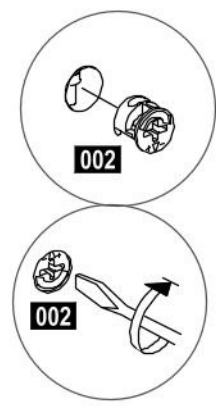
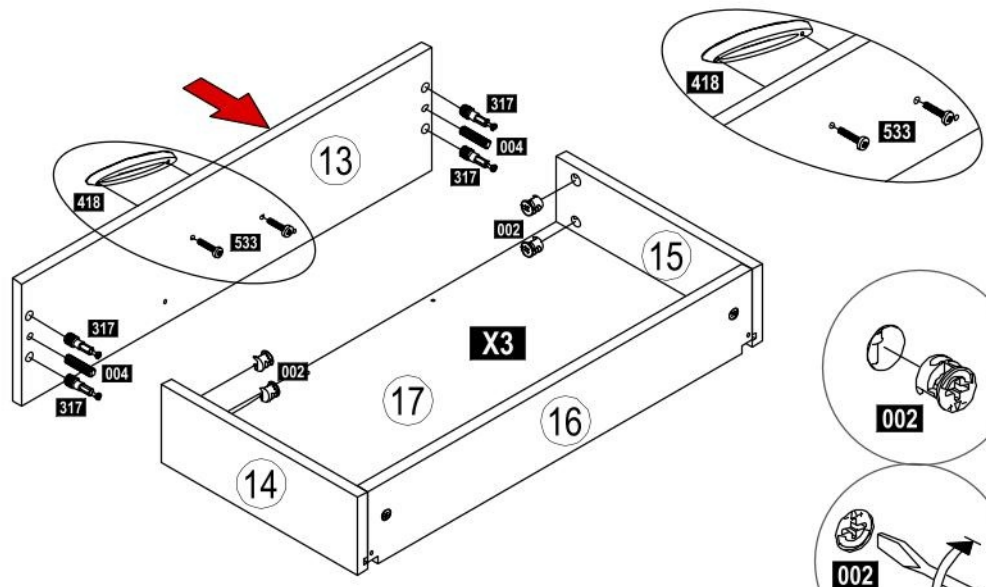


10



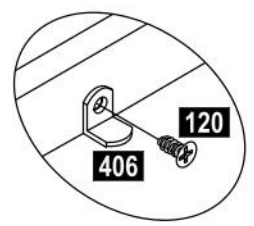
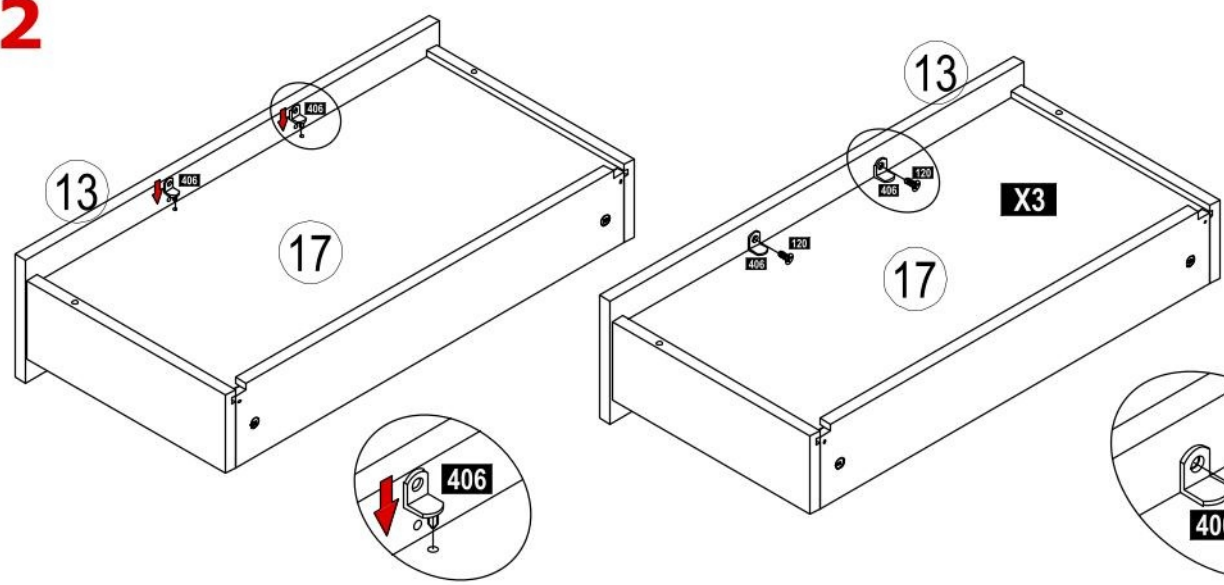
- | | | |
|-----|--|-----|
| 002 | | 6x |
| 317 | | 6x |
| 004 | | 12x |

11

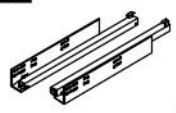



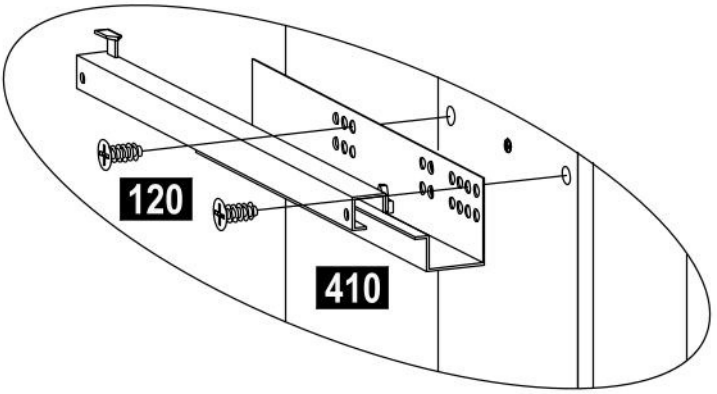
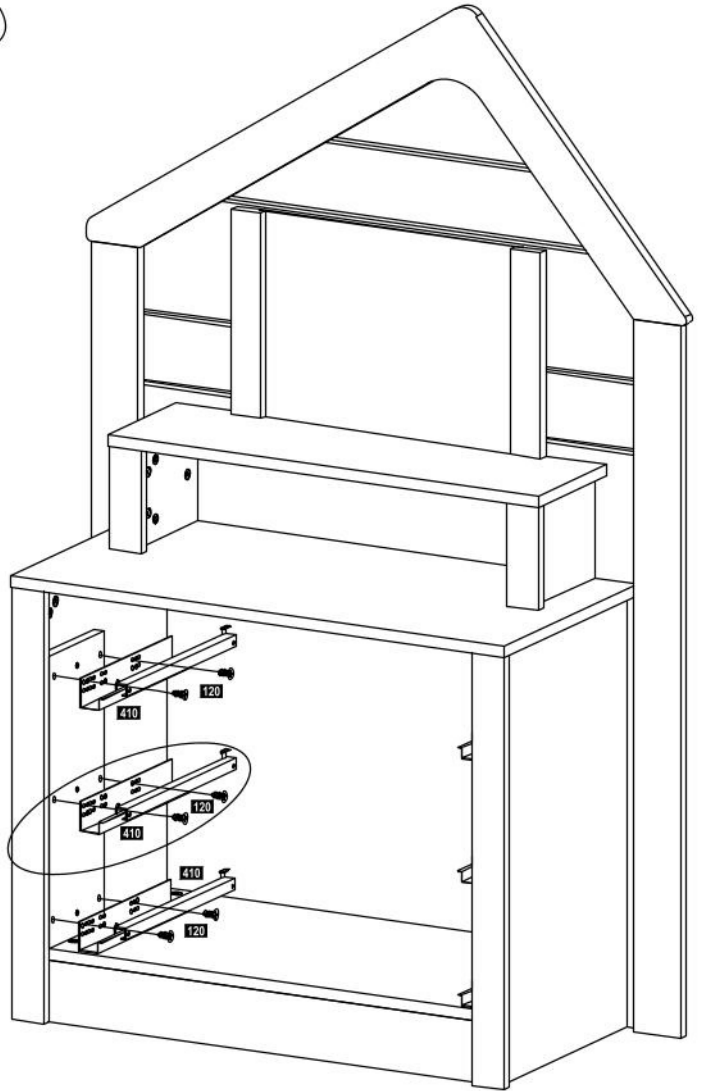
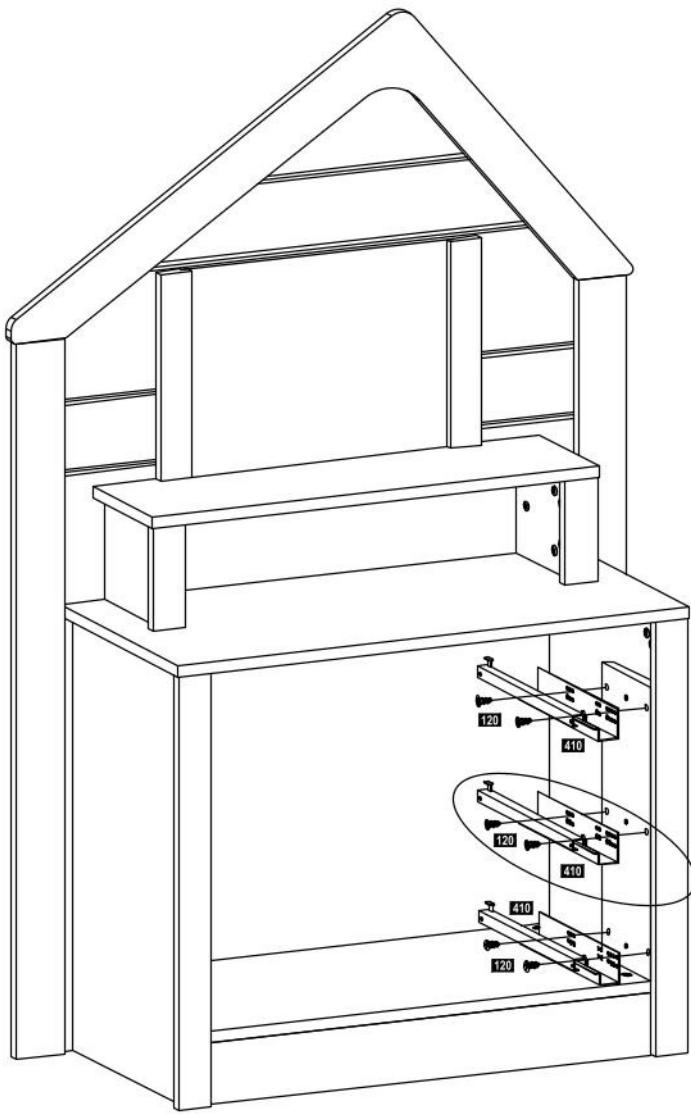
- | | | |
|-----|--|-----|
| 418 | | 3x |
| 002 | | 12x |
| 533 | | 6x |
| 317 | | 12x |
| 020 | | 12x |
| 004 | | 6x |

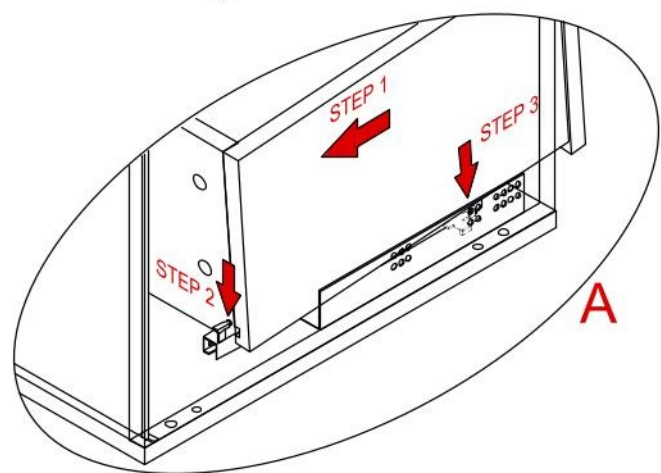
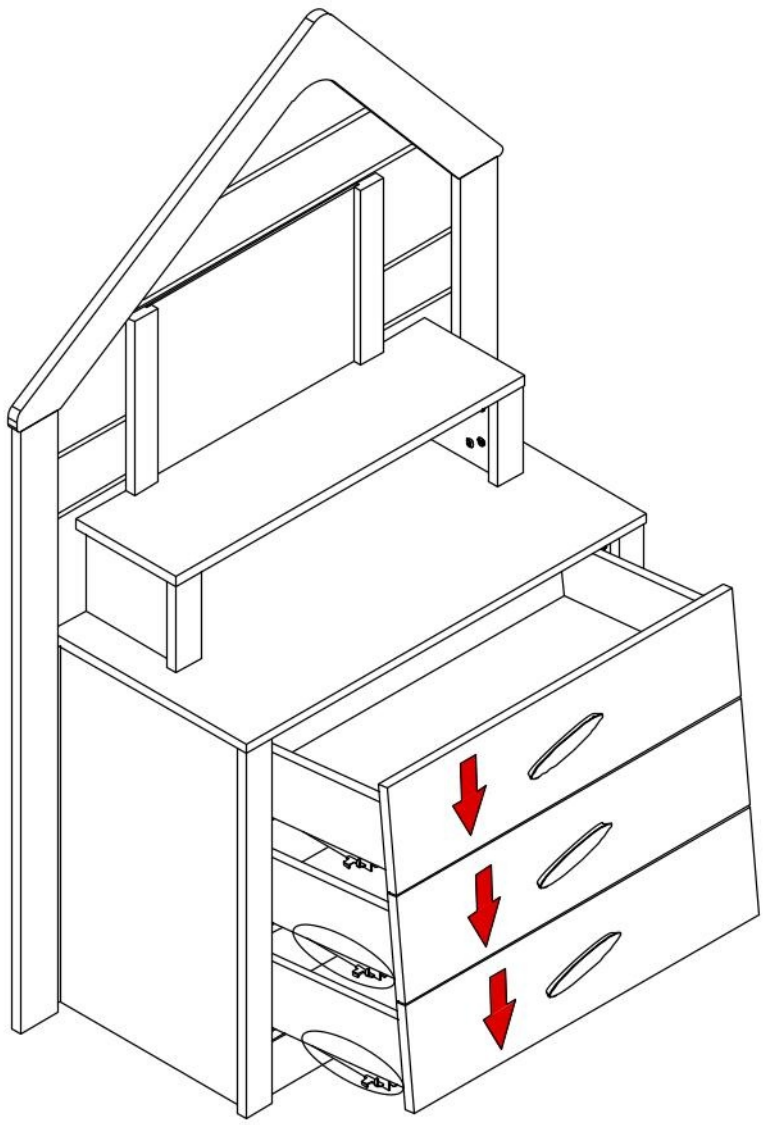
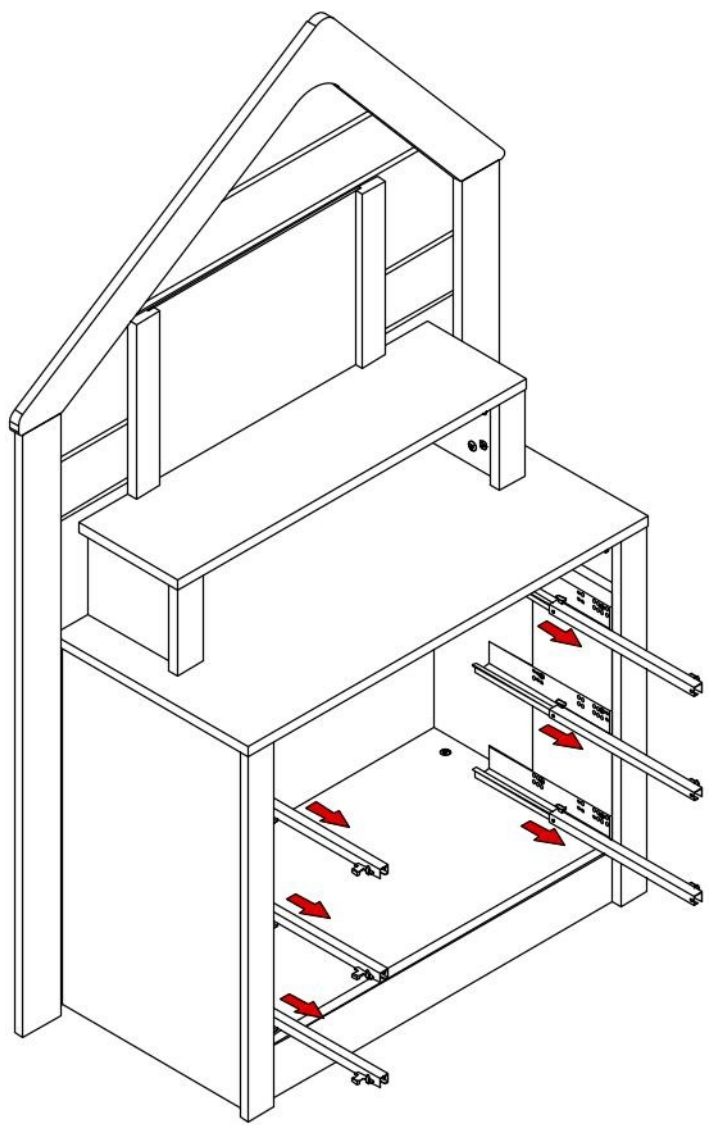
12



- | | | |
|-----|--|----|
| 406 | | 6x |
| 120 | | 6x |

 <p>410</p>	<p>3x</p>  <p>120</p> <p>12x</p>
--	--





STEP 2-3

STEP 4

STEP 5

STEP 6

