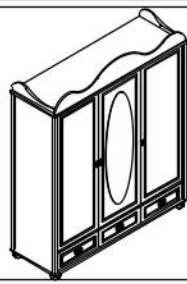



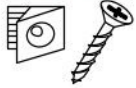



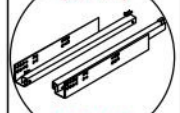










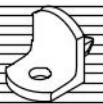



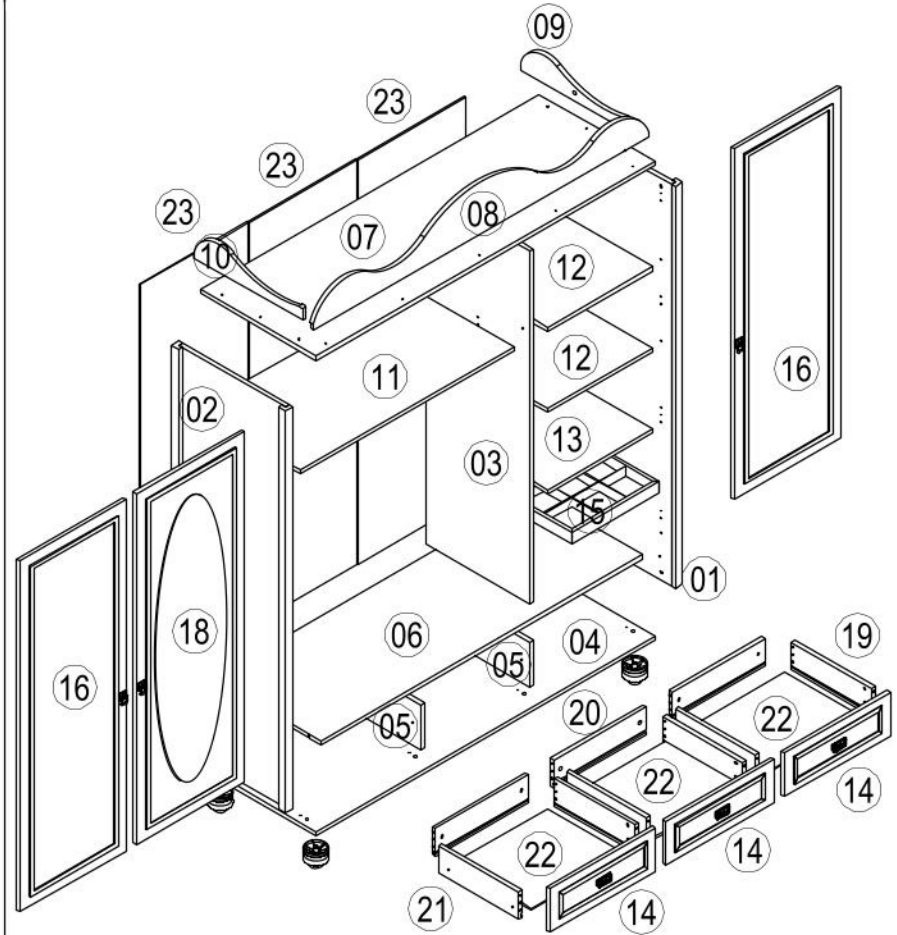


Šatní skříň 3D se zrcadlem LOVELY



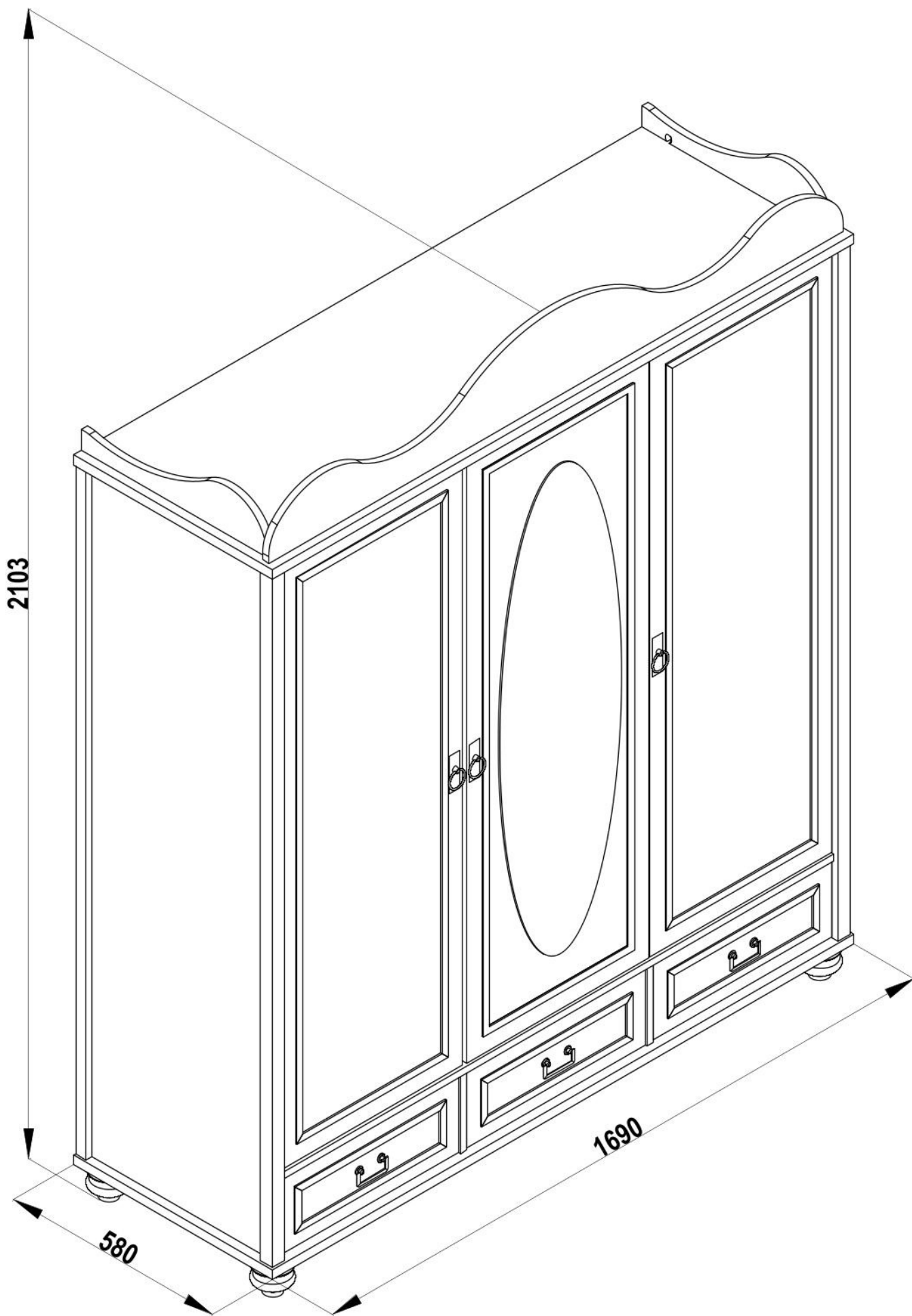
<p>ACCESSORIE NO : 317 10'LUK MİNİFİX MİL</p>  <p>18 ADET</p>	<p>ACCESSORIE NO : 002 TİTUS MİNİFİX GÖVDE</p>  <p>34 ADET</p>	<p>ACCESSORIE NO : 004 Ø8x30 KAVELA</p>  <p>38 ADET</p>	<p>ACCESSORIE NO : 011 ARKALIK SABİTLEME 3.5x25 S.VİDASI</p>  <p>18 ADET</p>	<p>ACCESSORIE NO : 020 MİNİFİX TAPA</p>  <p>20 ADET</p>
<p>ACCESSORIE NO : 012 ASKI FLANŞI BEYAZ</p>  <p>2 ADET</p>	<p>ACCESSORIE NO : 113 3.5*18 MM S. VİDASI</p>  <p>15 ADET</p>	<p>ACCESSORIE NO : 351 TANDEM RAY 400 (SAMET)</p>  <p>3 TAKIM</p>	<p>ACCESSORIE NO : 022 SÜPER DEVE MENTEŞE</p>  <p>4 ADET</p>	<p>ACCESSORIE NO : 183 FRENLI S.D.B. MENTEŞE</p>  <p>4 ADET</p>
<p>ACCESSORIE NO : 092 4*18 MM S. VİDASI</p>  <p>48 ADET</p>	<p>ACCESSORIE NO : 148 ÇİFT AÇILIMLI 400mm RAY + KULAK</p>  <p>1 TAKIM</p>	<p>ACCESSORIE NO : 189 NOBLE AYAK</p>  <p>6 ADET</p>	<p>ACCESSORIE NO : 023 Y.D.B. MENTEŞE</p>  <p>2 ADET</p>	<p>ACCESSORIE NO : 184 FRENLI Y.D.B. MENTEŞE</p>  <p>2 ADET</p>
<p>ACCESSORIE NO : 188 TIFFANY İKİLİ KULP</p>  <p>3 ADET</p>	<p>ACCESSORIE NO : 187 TIFFANY TEKLİ KULP</p>  <p>3 ADET</p>	<p>ACCESSORIE NO : 563 RAFİX MİL (11)</p>  <p>11 ADET</p>	<p>ACCESSORIE NO : 103 M4*22 MM VİDA</p>  <p>9 ADET</p>	<p>ACCESSORIE NO : 406 PLS. RAF PİMİ EURO VİDALI</p>  <p>19 ADET</p>
		<p>ACCESSORIE NO : 605 LED İŞİK</p>  <p>1 ADET</p>	<p>ACCESSORIE NO : 001 MİNİFİX MİL 6 MM</p>  <p>16 ADET</p>	<p>ACCESSORIE NO : 119 6.3*9 MM EURO VİDA</p>  <p>31 ADET</p>

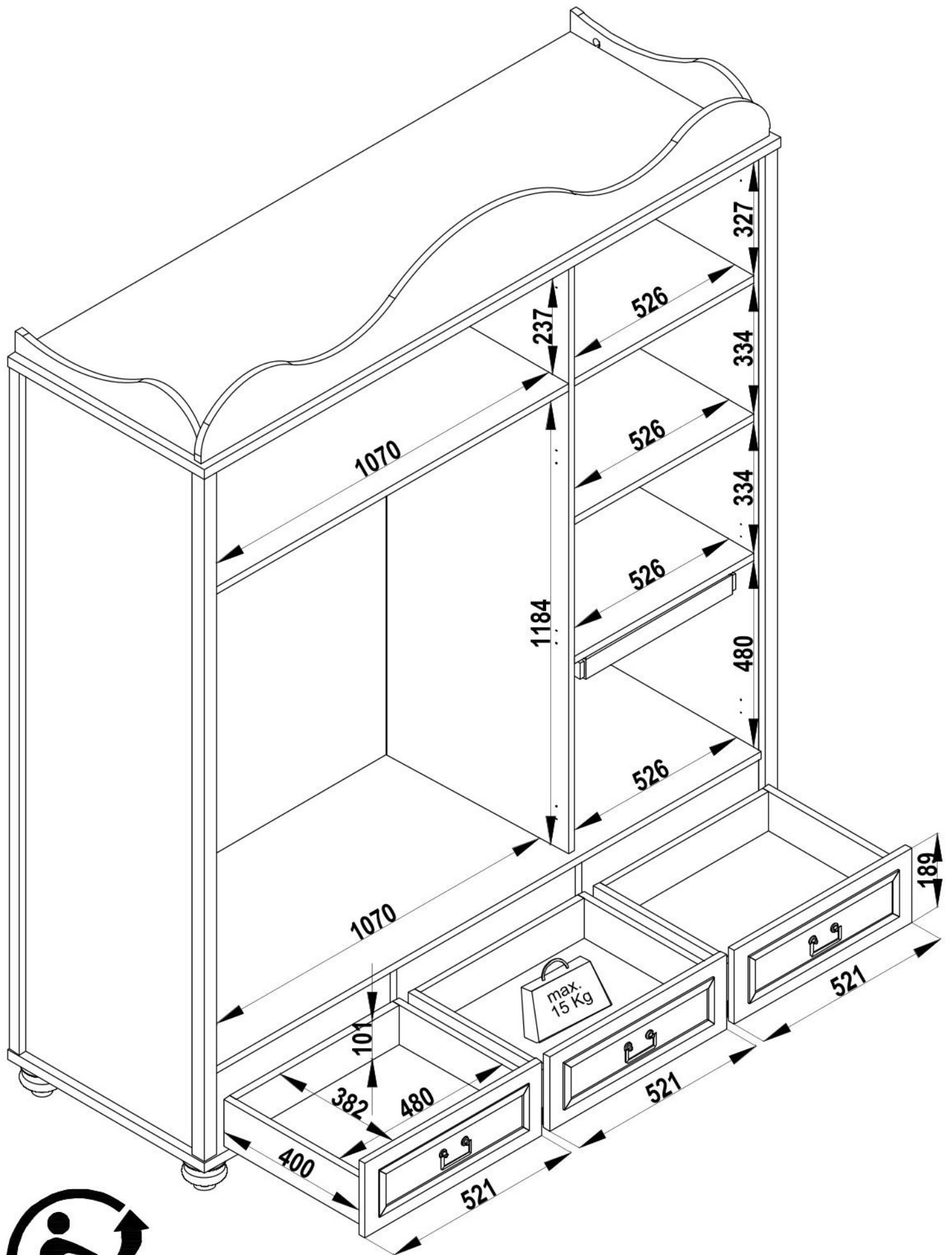
PLEASE ORDER THE ACCESSORIES ACCORDING TO THE REFERENCE NUMBER ON THE DRAWING(EXAMPLE ACCESSORIE NO-008 RAFİX MİL 1.PCS.)



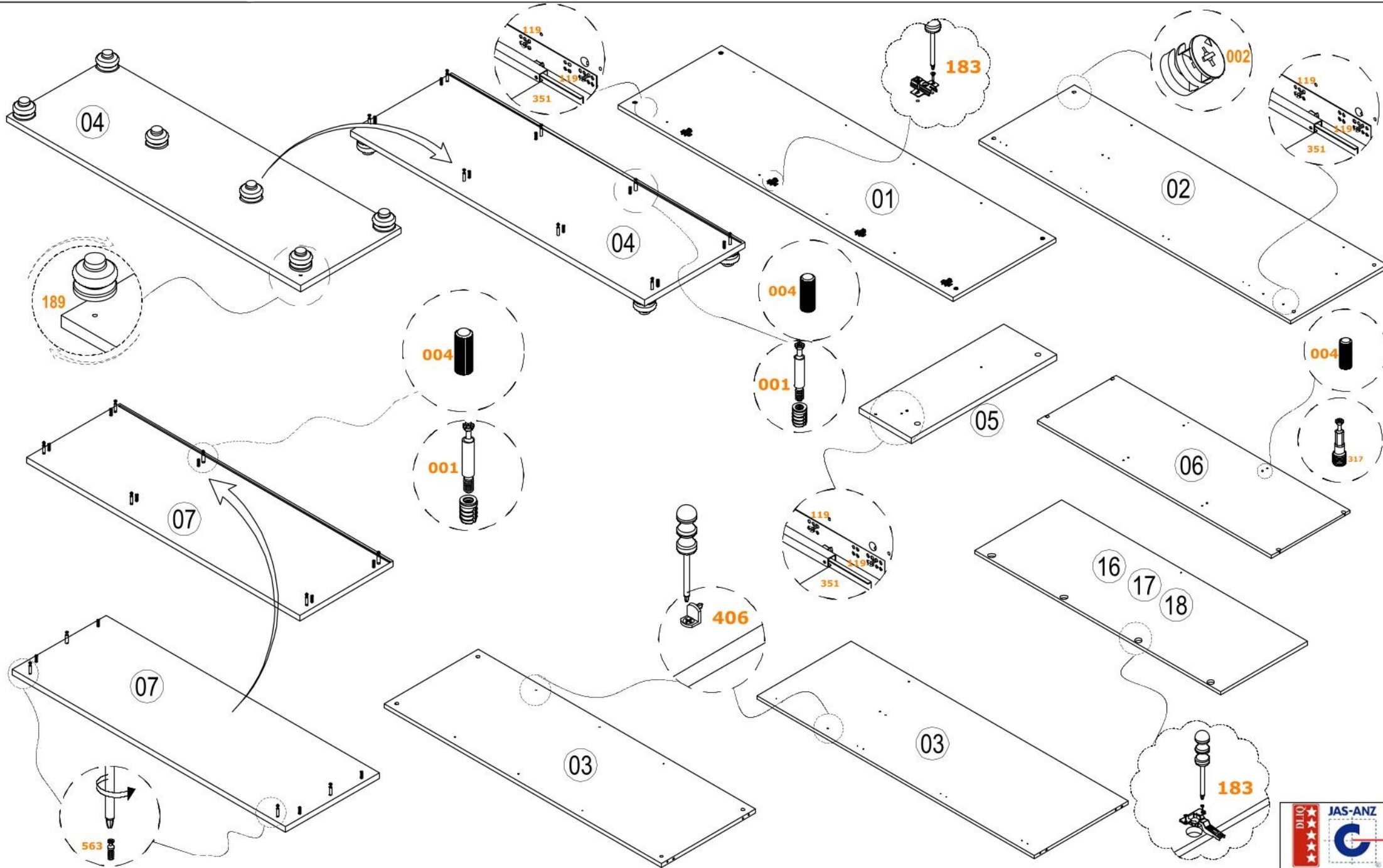
NO	ADET/PCS	ÖLÇÜ/DIMENSIONS	NO	ADET/PCS	ÖLÇÜ/DIMENSIONS	NO	ADET/PCS	ÖLÇÜ/DIMENSIONS
01	1	1743 X 574	11	1	1070 X 522	22	3	490 X 387
02	1	1743 X 574	12	2	526 X 522	23	3	1754 X 539
03	1	1529 X 522	13	1	526 X 522			
04	1	1696 X 580	14	3	521 X 189			
05	2	540 X 196	15	1	432 X 432			
06	1	1614 X 544	16	2	1521 X 531			
07	1	1696 X 580	18	1	1521 X 540			
08	1	1680 X 225	19	3	400 X 120			
09	1	540 X 122	20	3	400 X 120			
10	1	540 X 122	21	3	480 X 120			

PLEASE ORDER THE SPARE PARTS ACCORDING TO THE REFERENCE NUMBER ON THE DRAWING

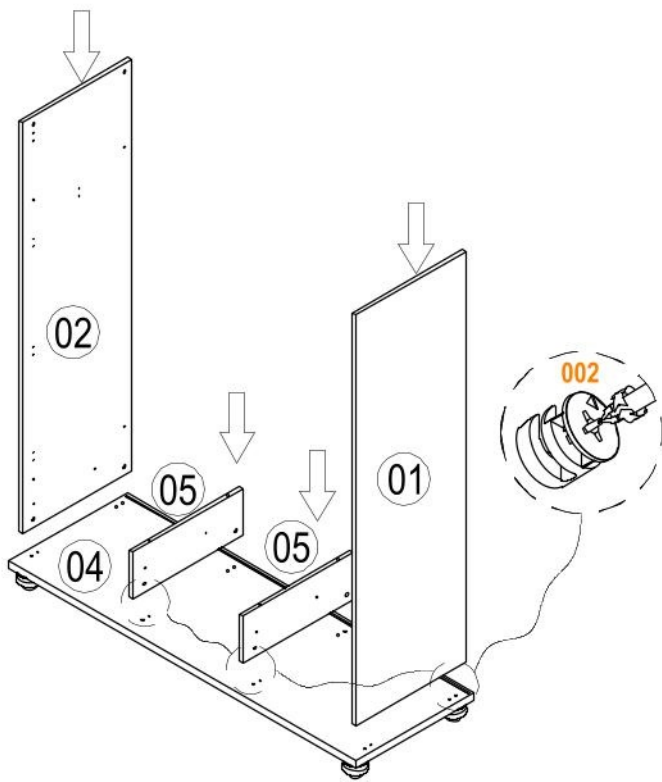




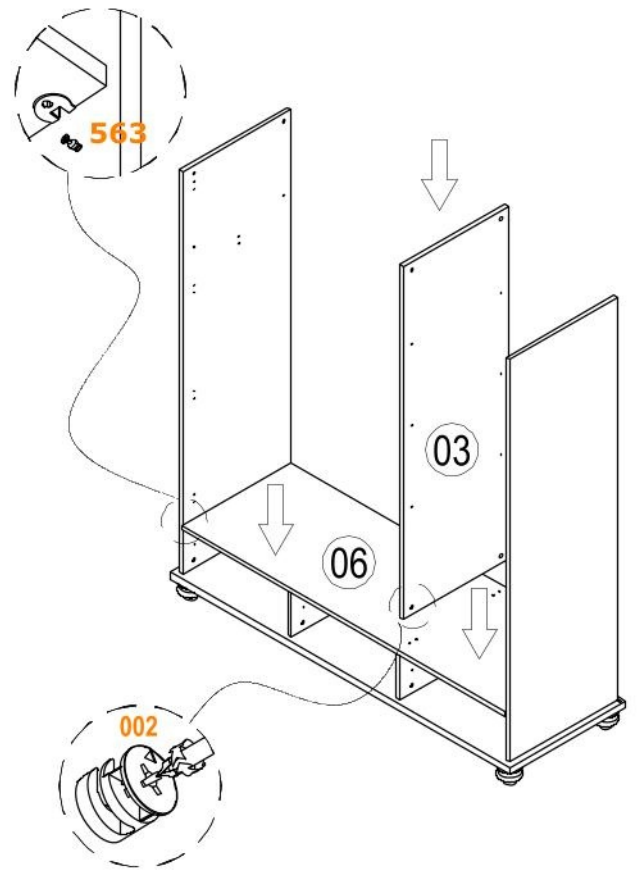
INSTALLATION STEPS



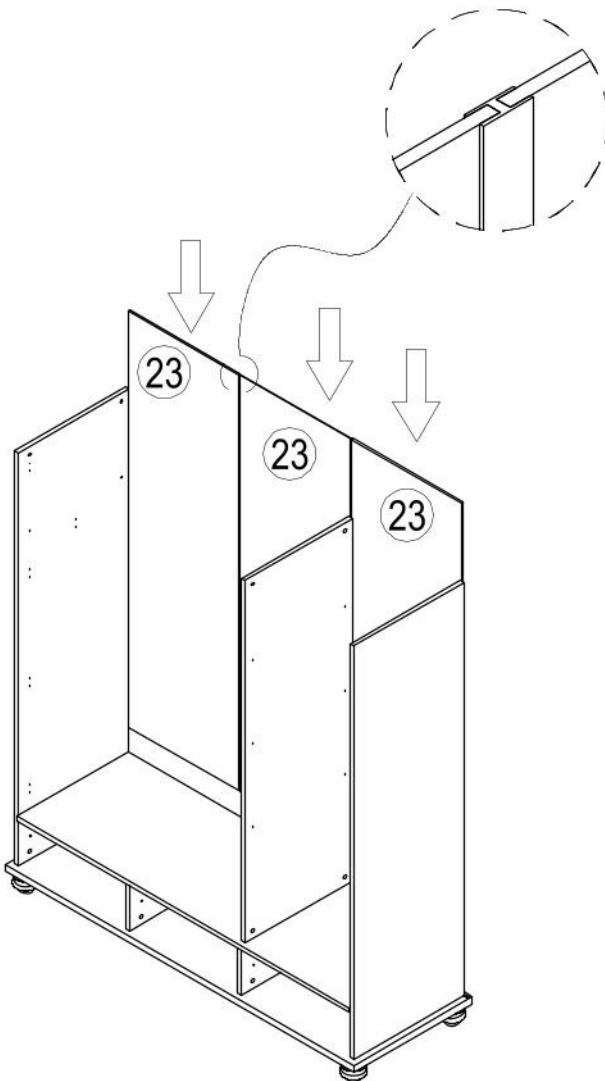
INSTALLATION STEPS



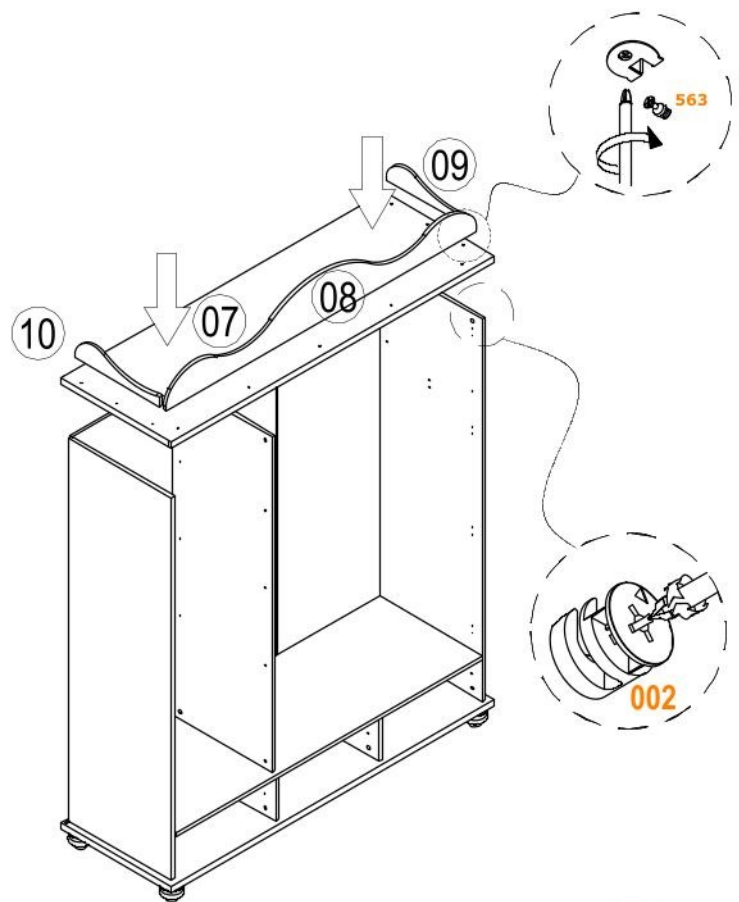
2



3

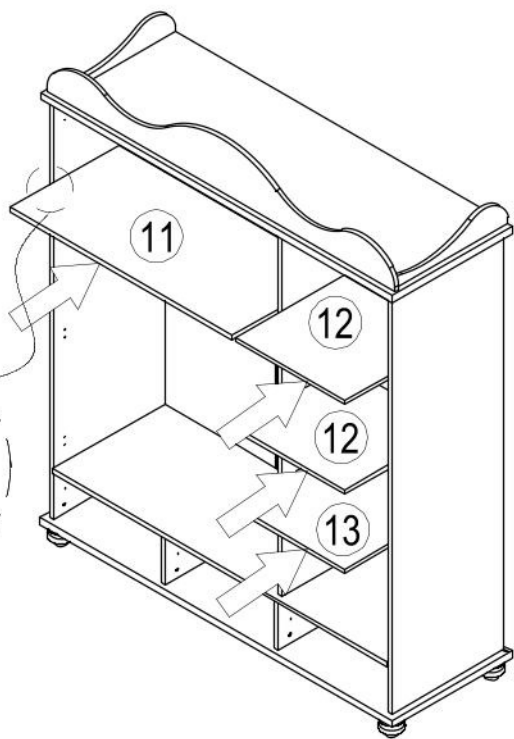


4

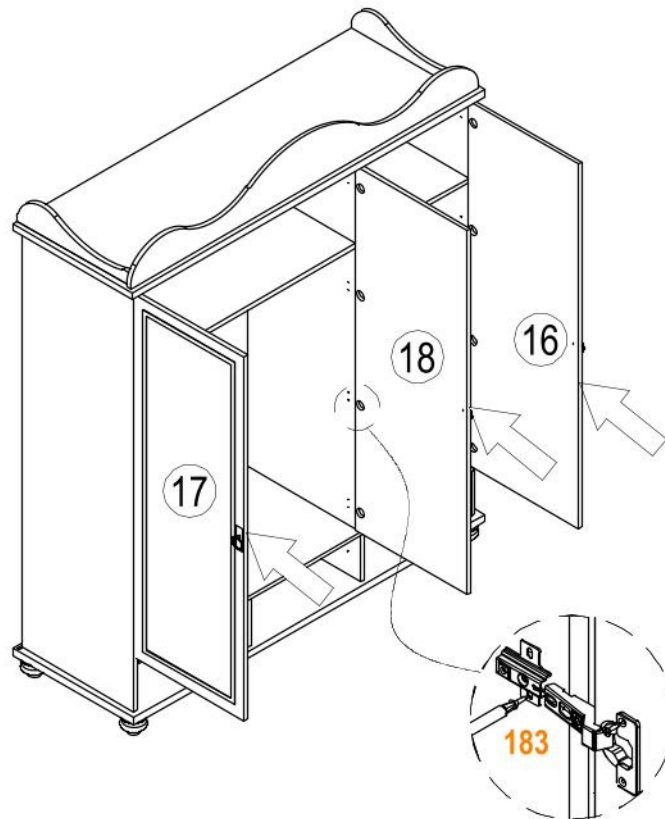


5

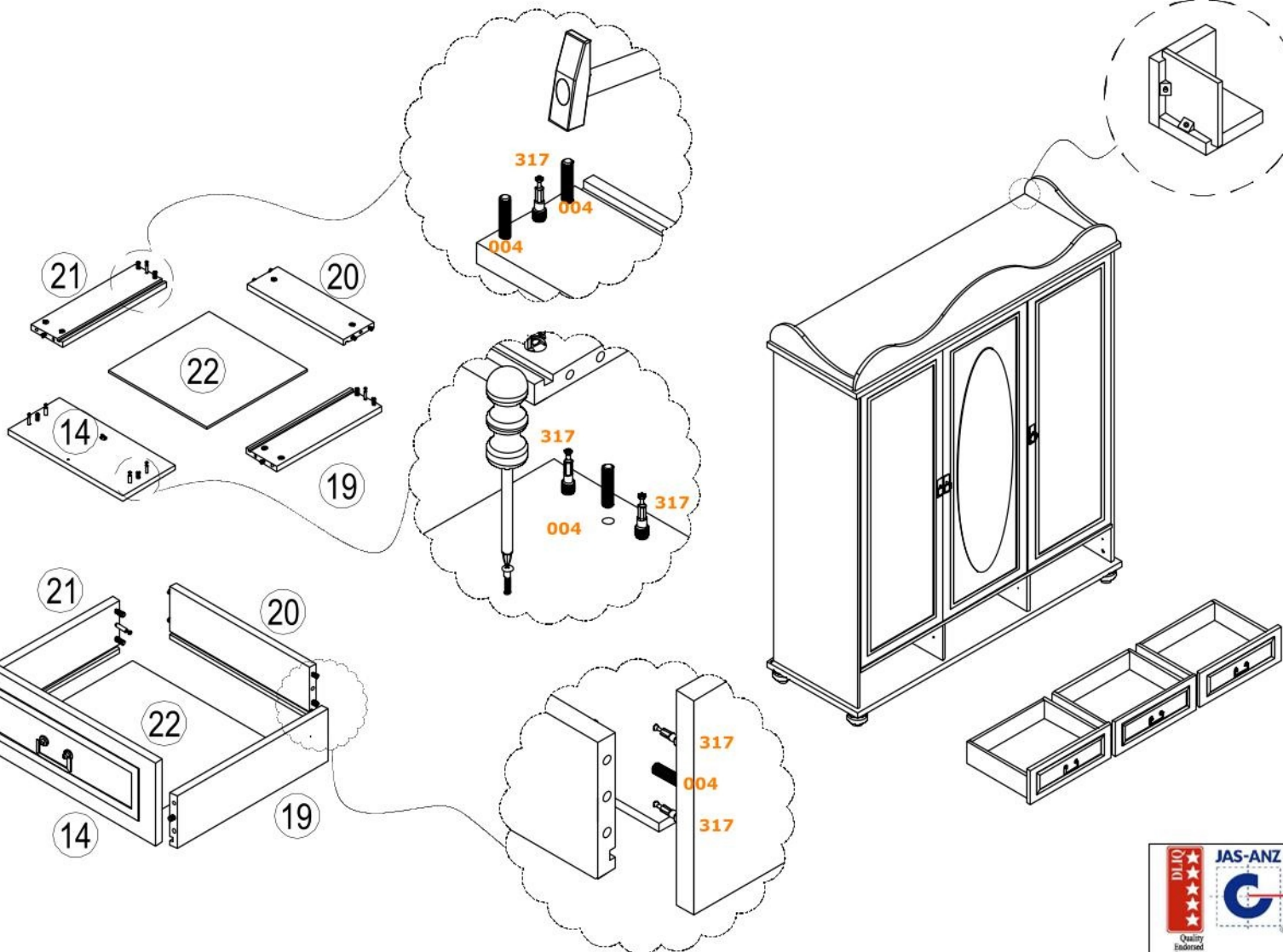
INSTALLATION STEPS



6



7



8

9