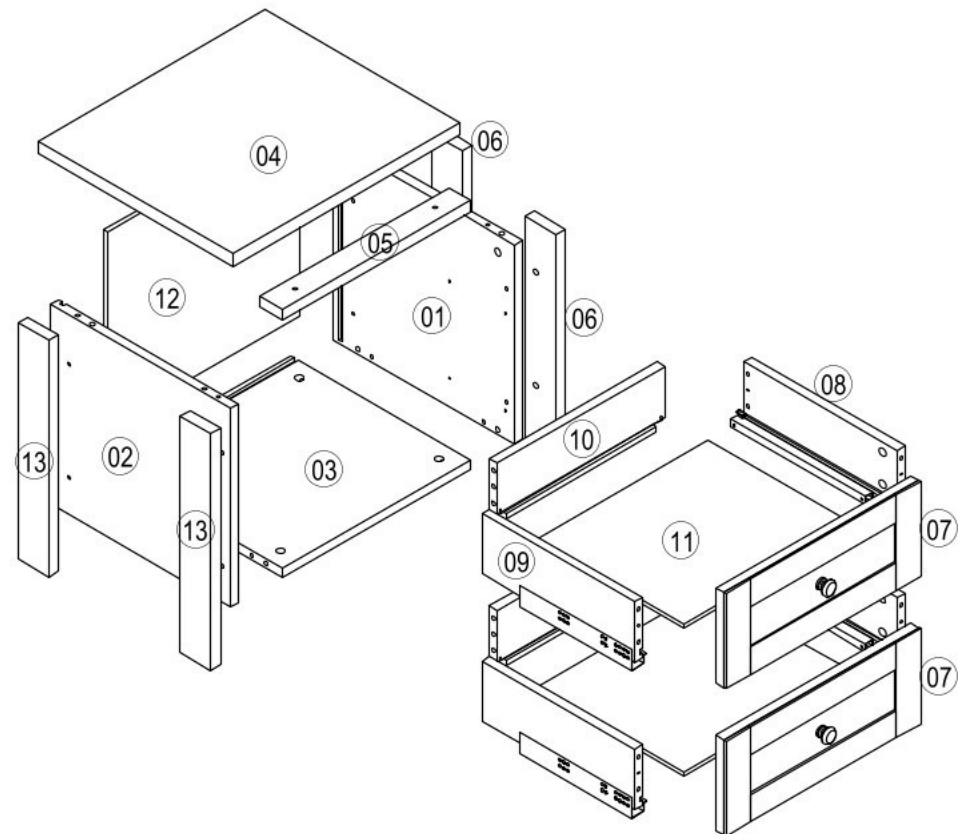


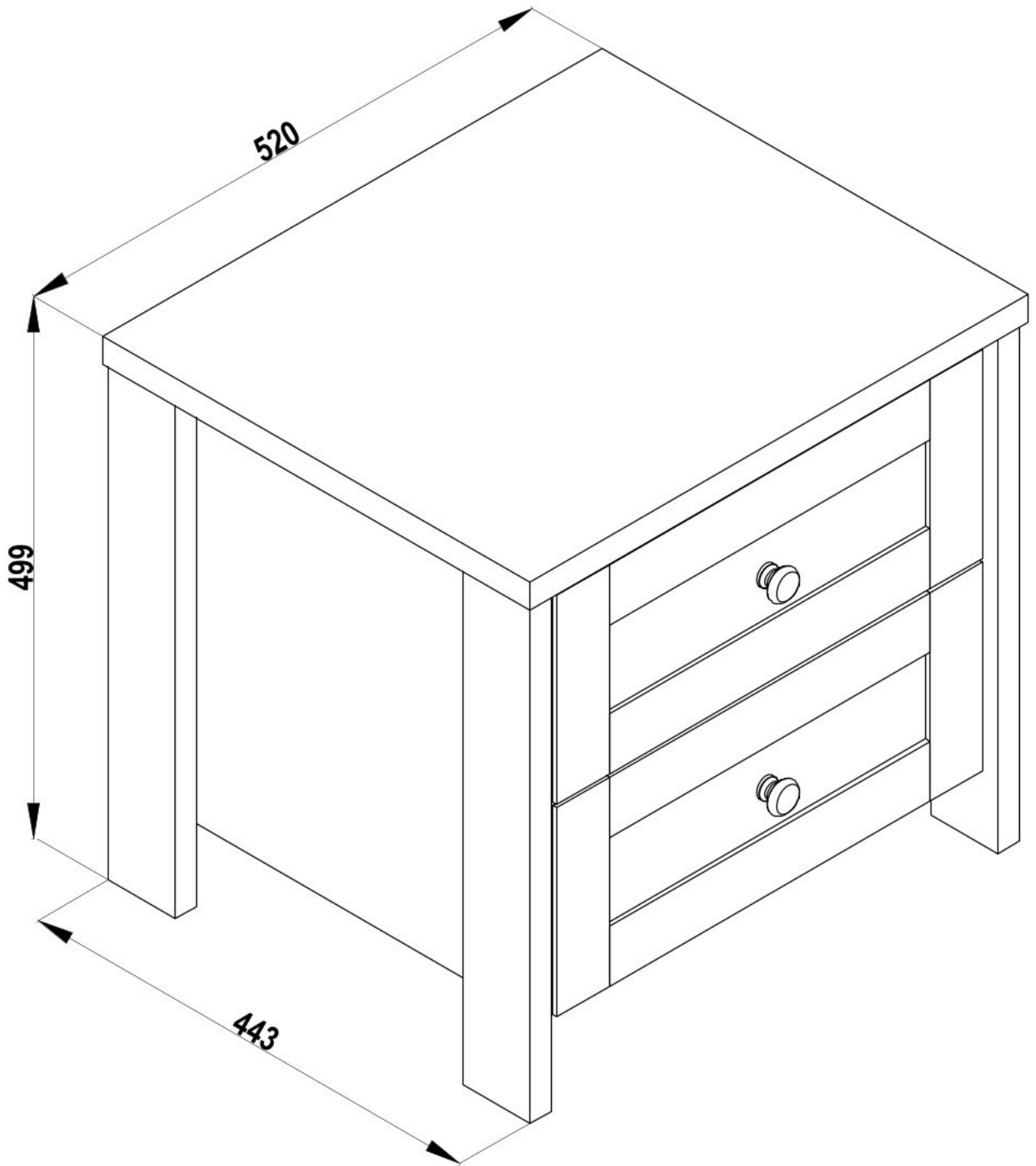
Noční stolek PAXTON

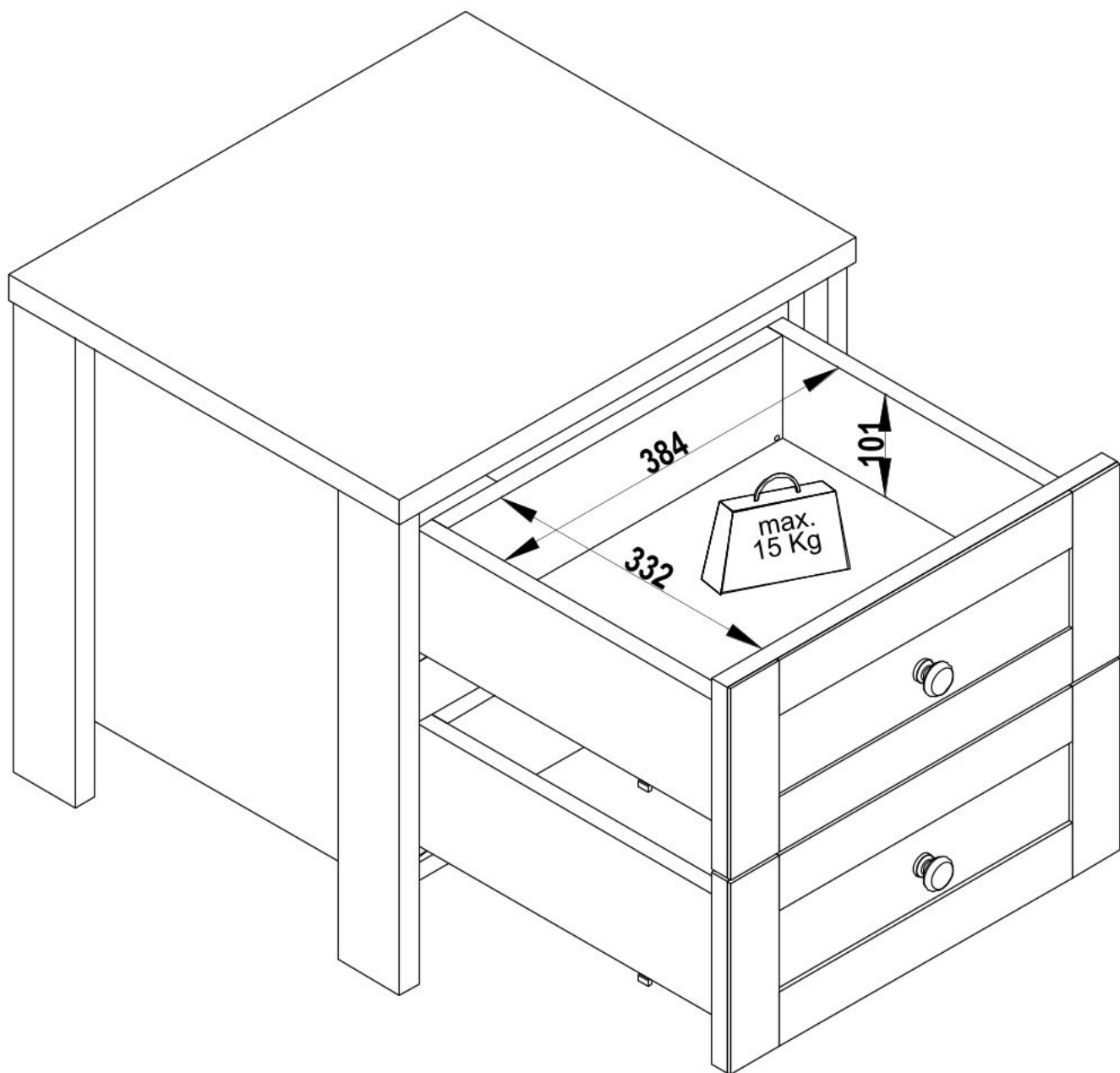


| | | | | |
|--|---|--|--|--|
| <p>ACCESSORIE NO : 317 10'LUK MİNİFİK MİL</p> <p>20 ADET</p> | <p>ACCESSORIE NO : 002 TİTUS MİNİFİK GÖVDE</p> <p>20 ADET</p> | <p>ACCESSORIE NO : 004 Ø8x30 KAVELA</p> <p>20 ADET</p> | <p>ACCESSORIE NO : 011 ARKALIK SABİTLEME 3.5x25 S.VİDASI</p> <p>4 ADET</p> | <p>ACCESSORIE NO : 020 MİNİFİK TAPA</p> <p>4 ADET</p> |
| <p>ACCESSORIE NO : 410 TANDEM RAY 350 (SAMET)</p> <p>2 TAKIM</p> | <p>ACCESSORIE NO : 120 6.3*13 MM EURO VİDA</p> <p>10 ADET</p> | <p>ACCESSORIE NO : 406 PLS. RAF PİMİ EURO VİDALI</p> <p>2 ADET</p> | <p>ACCESSORIE NO : 636 M6*30 PH YILDIZ BAŞLI VİDA</p> <p>10 ADET</p> | <p>ACCESSORIE NO : 104 M4*25 MM VİDA</p> <p>2 ADET</p> |
| | | | | <p>ACCESSORIE NO : 481 OSLO TEKLİ KULP</p> <p>2 ADET</p> |
| | | | | |
| | | | | |
| | | | | |
| | | | | |

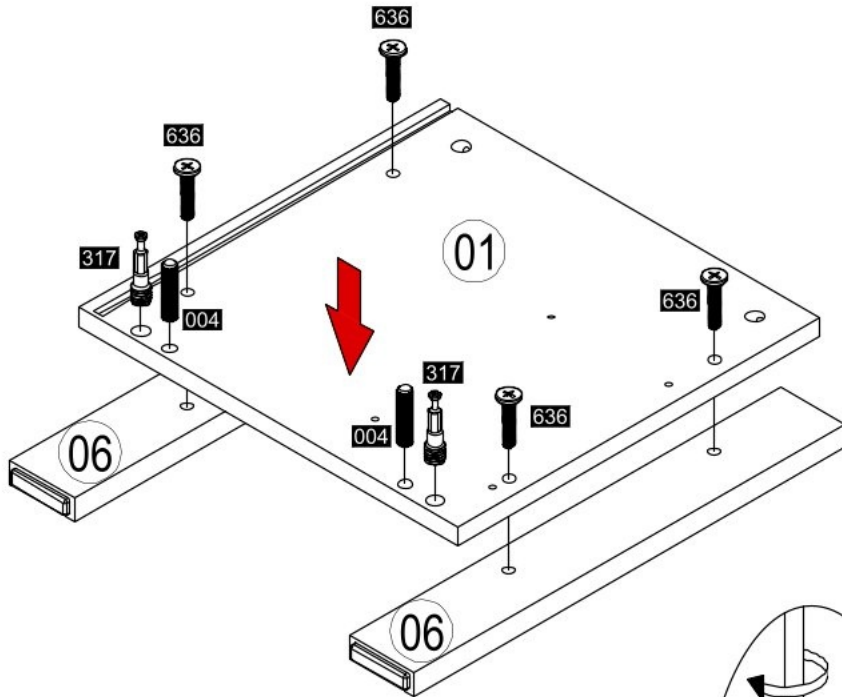


| NO | ADET/PCS | ÖLÇÜ/DIMENSIONS | NO | ADET/PCS | ÖLÇÜ/DIMENSIONS | NO | ADET/PCS | ÖLÇÜ/DIMENSIONS |
|----|----------|-----------------|----|----------|-----------------|----|----------|-----------------|
| 01 | 1 | 413 x 394 | 11 | 2 | 394 x 337 | | | |
| 02 | 1 | 413 x 394 | 12 | 1 | 441 x 387 | | | |
| 03 | 1 | 430 x 413 | 13 | 2 | 469 x 70 | | | |
| 04 | 1 | 520 x 443 | | | | | | |
| 05 | 1 | 430 x 60 | | | | | | |
| 06 | 2 | 469 x 70 | | | | | | |
| 07 | 2 | 445 x 189 | | | | | | |
| 08 | 2 | 350 x 120 | | | | | | |
| 09 | 2 | 350 x 120 | | | | | | |
| 10 | 2 | 384 x 120 | | | | | | |

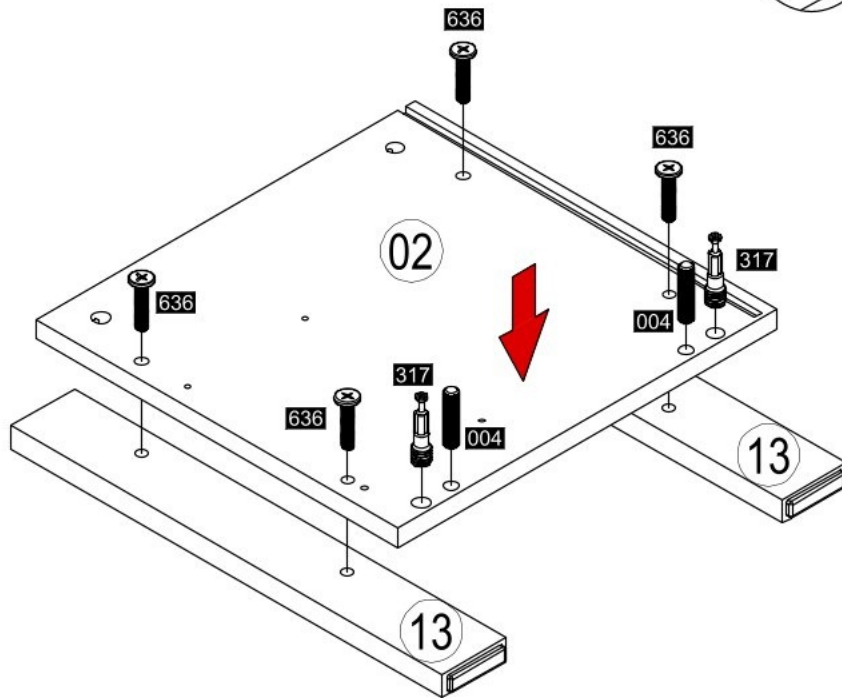
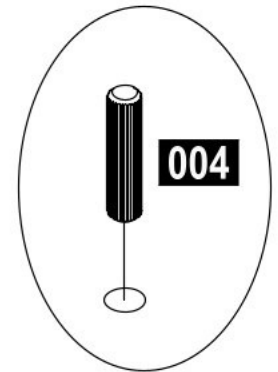
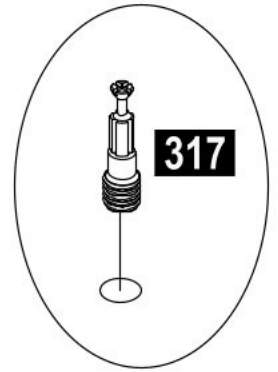
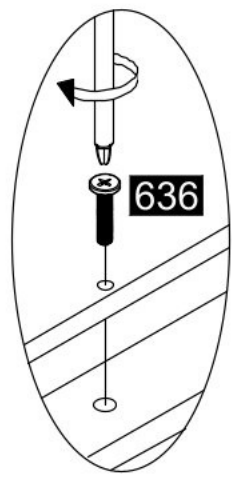




1




- 317 4x
- 004 4x
- 636 8x

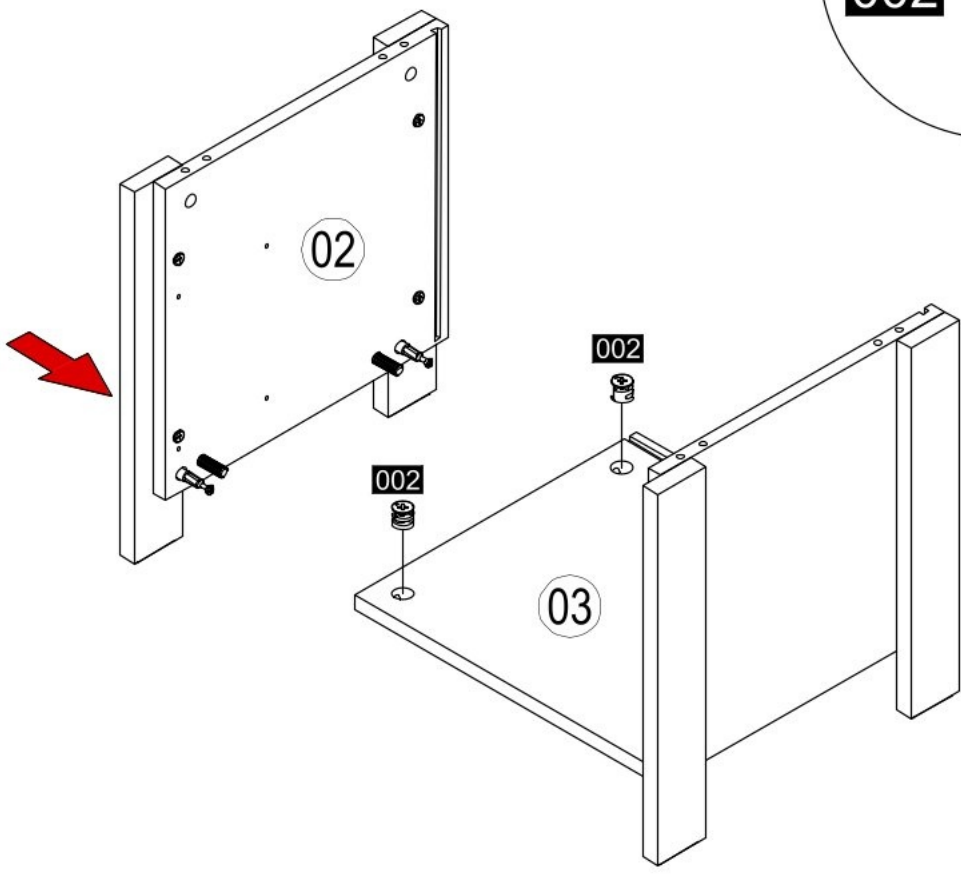
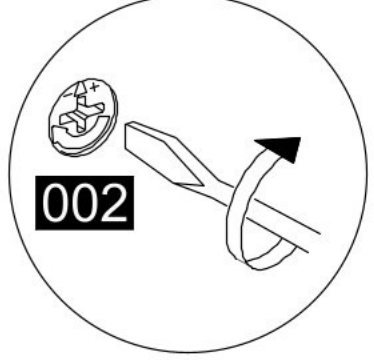
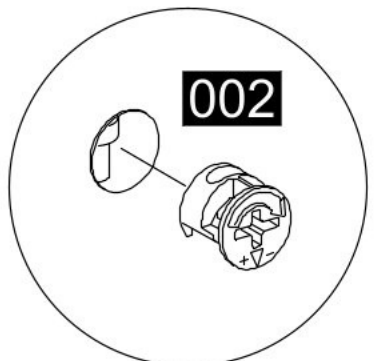
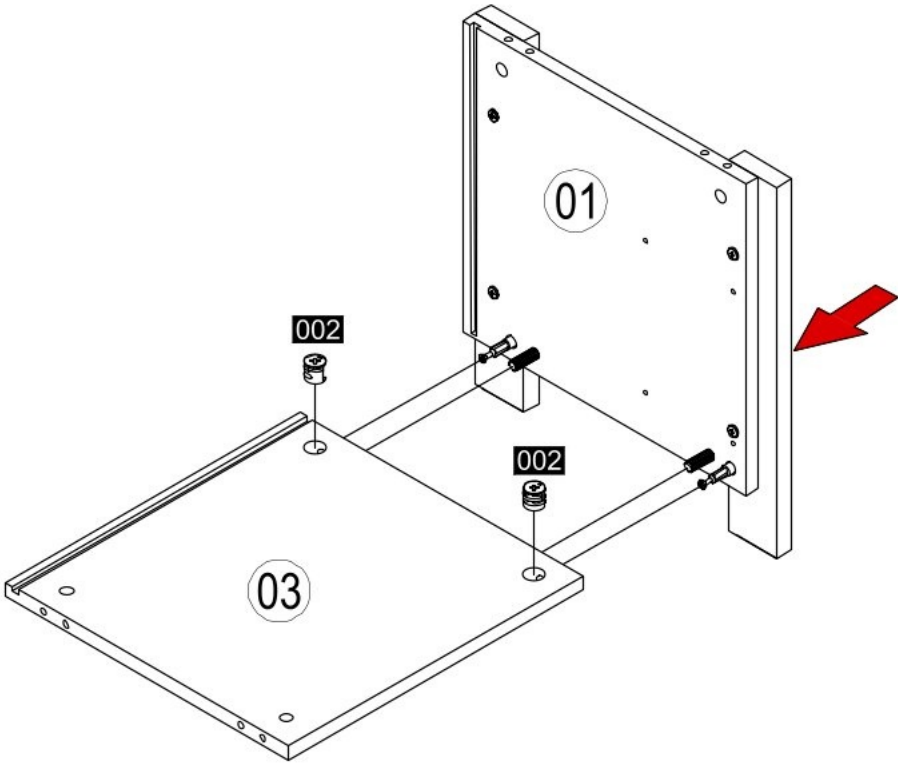


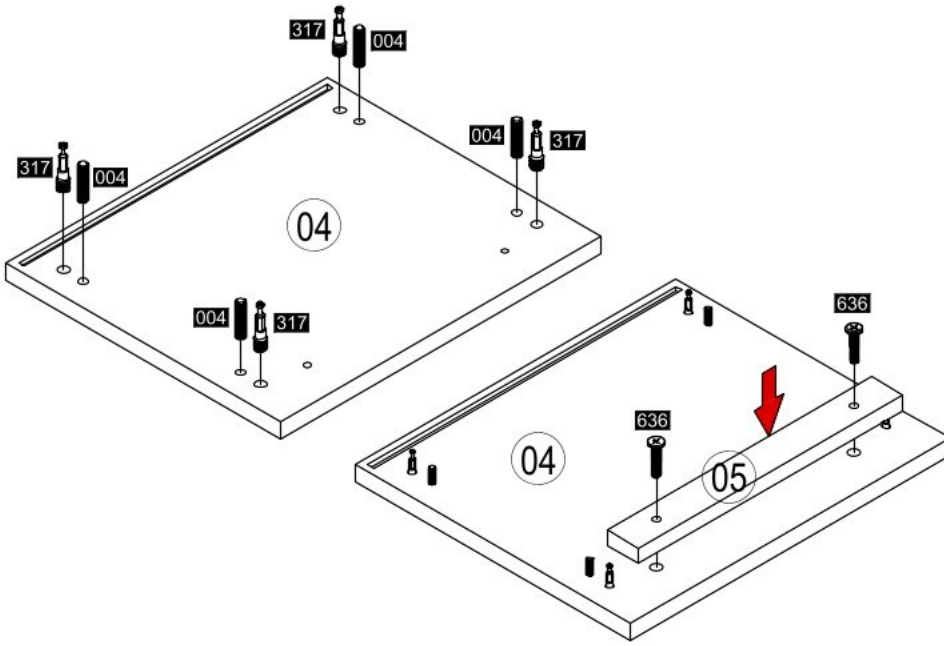
2





002

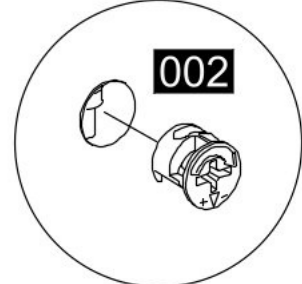
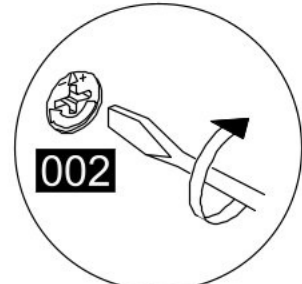
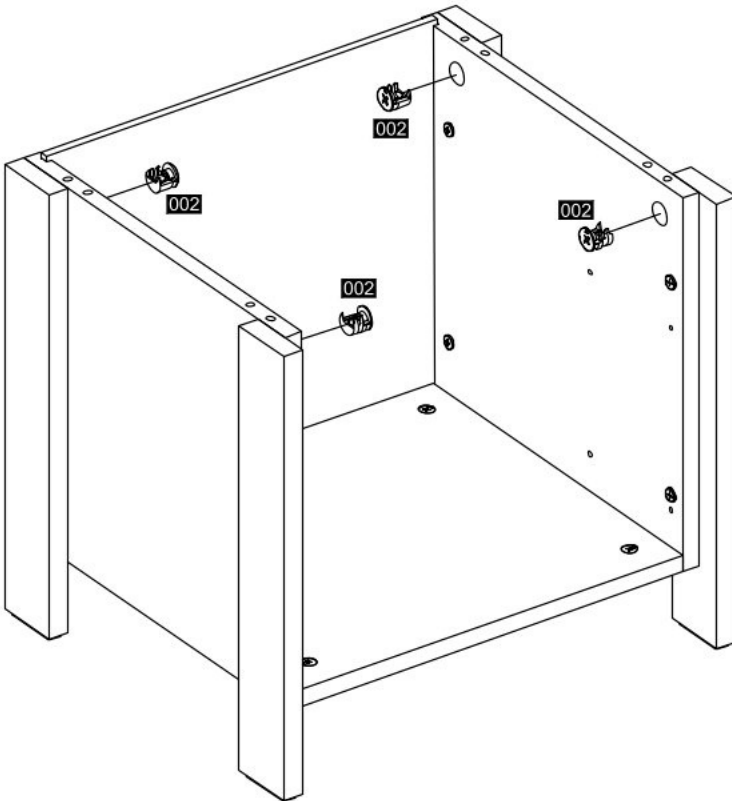
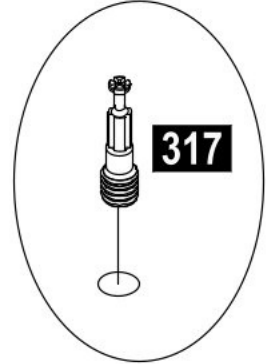
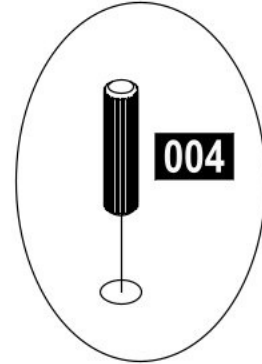
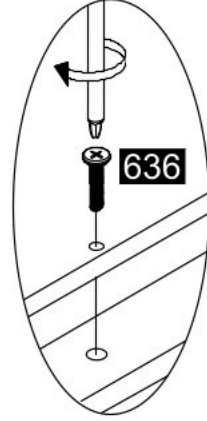
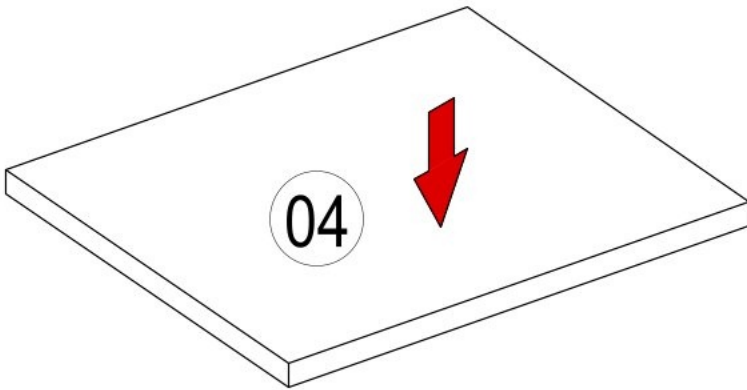


4x

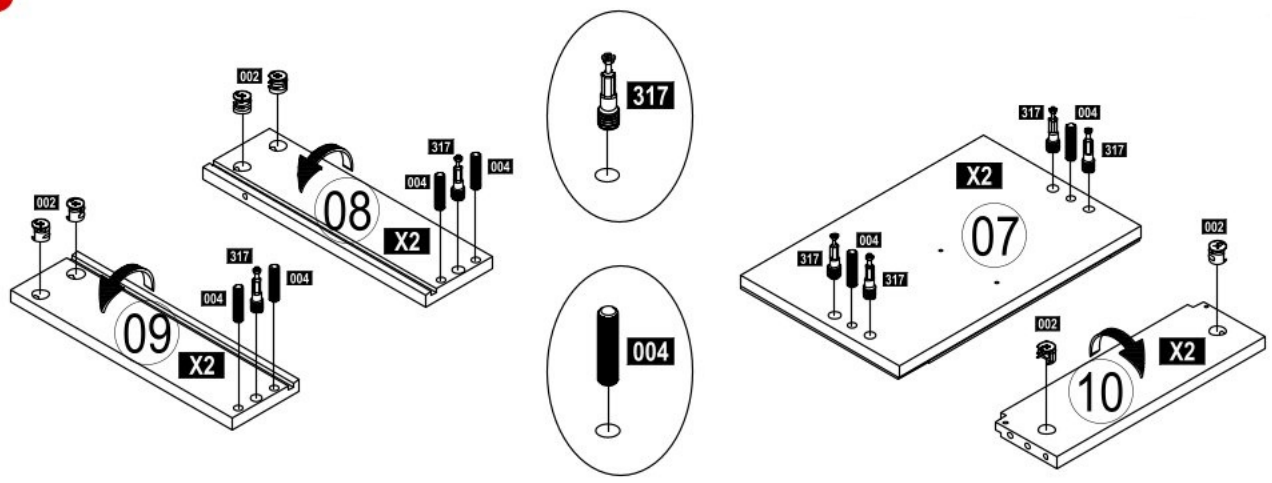







- 002

4x
- 317

4x
- 004

4x
- 636

2x

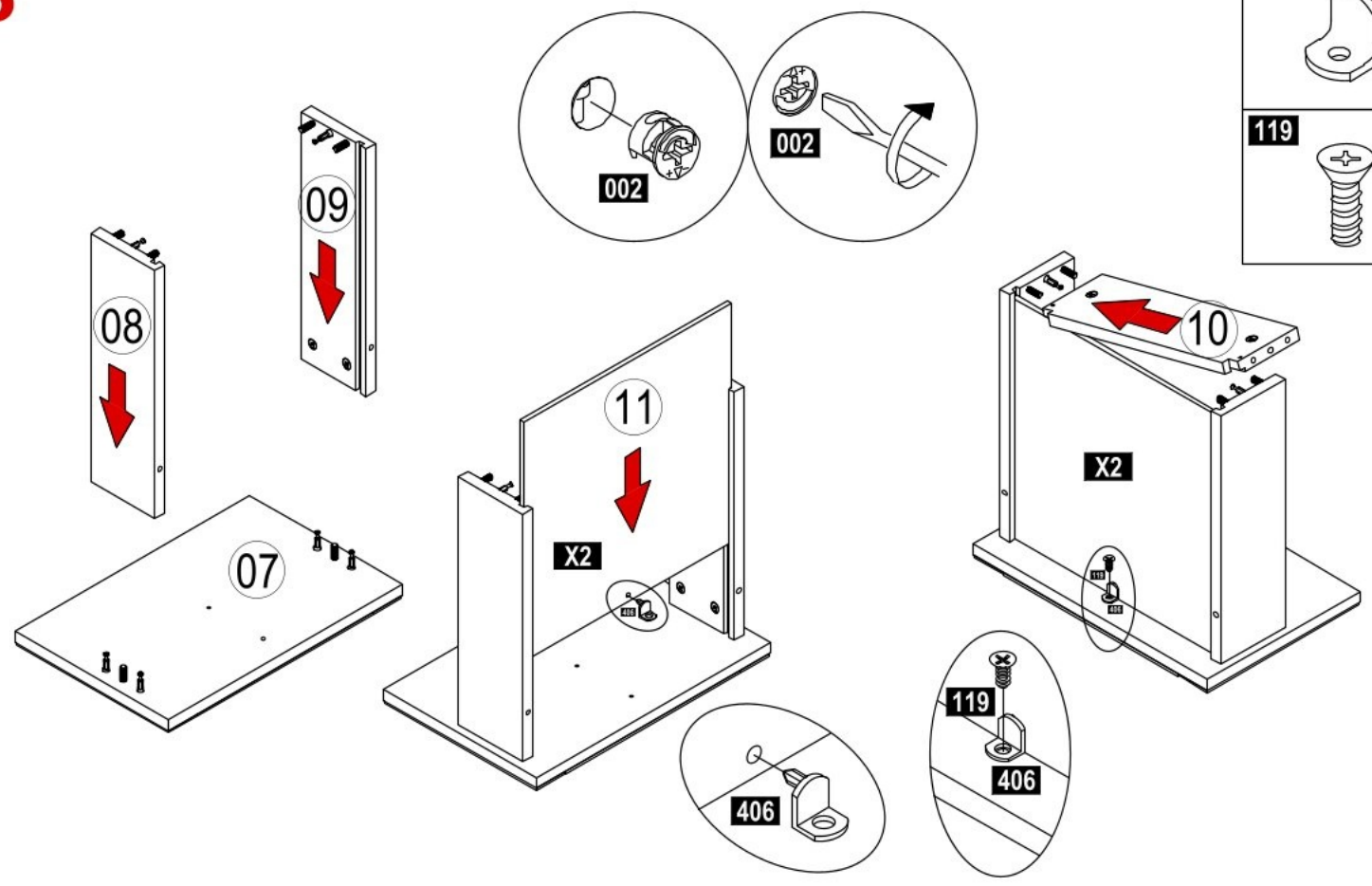




5



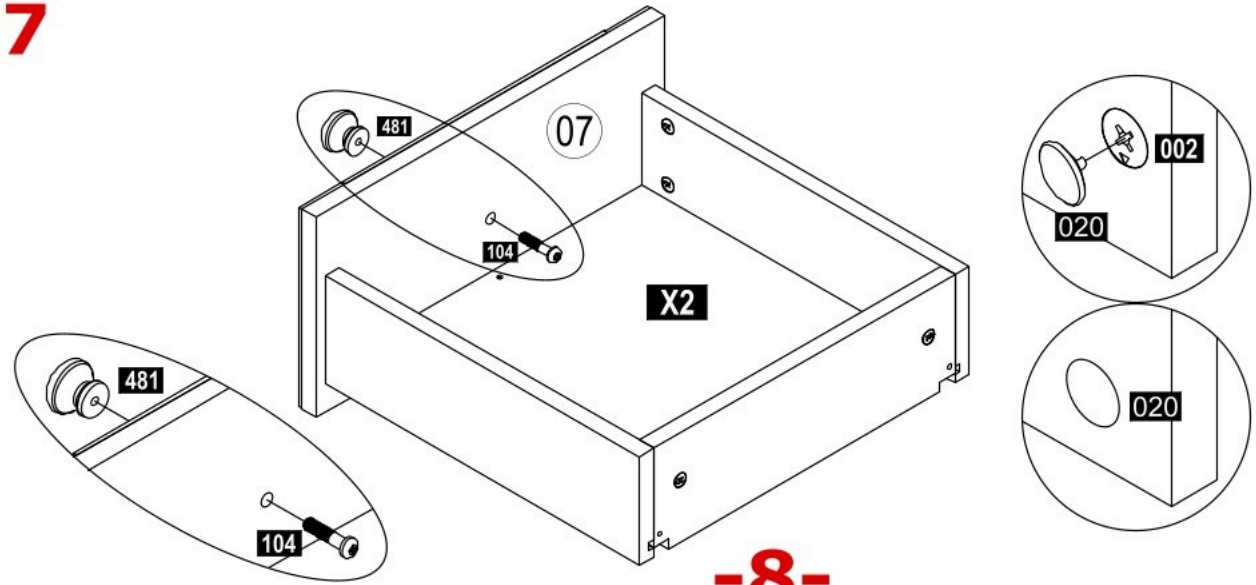
- 002**  12x
- 317**  12x
- 004**  12x




6

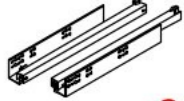



- 406**  2x
- 119**  2x

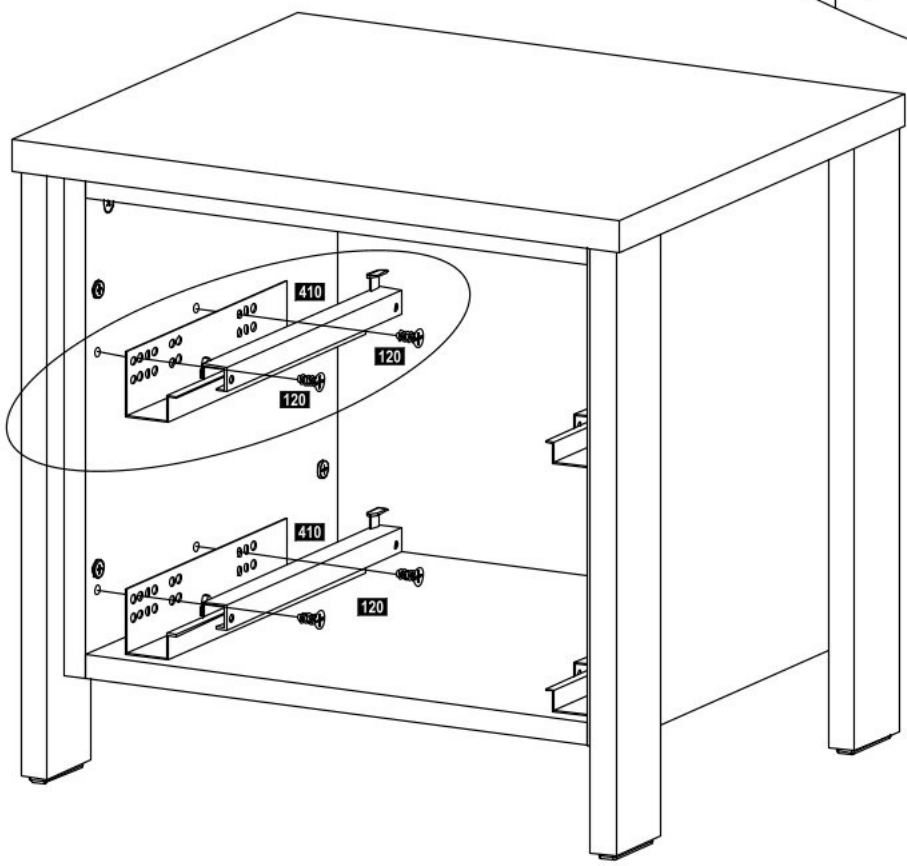
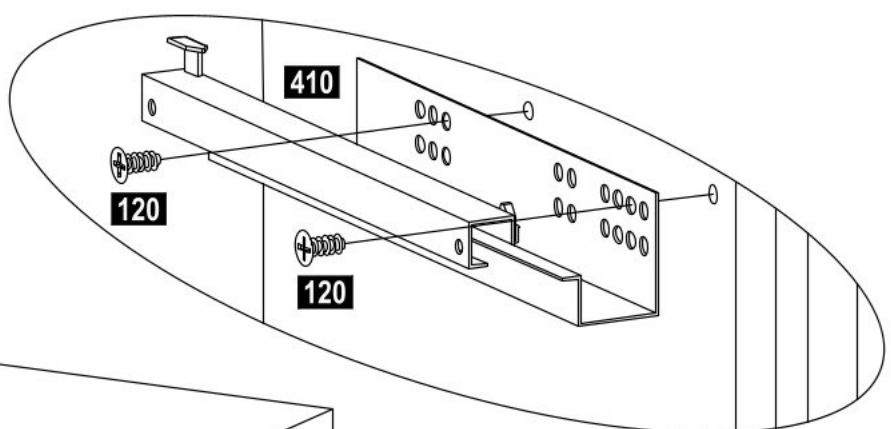
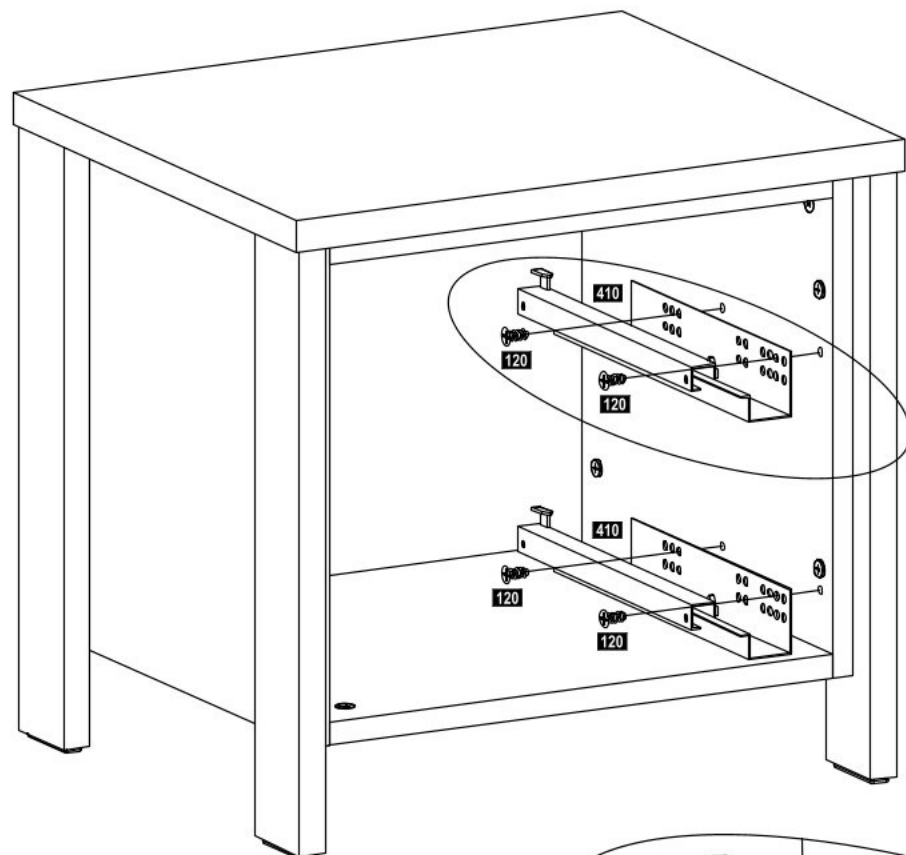
7

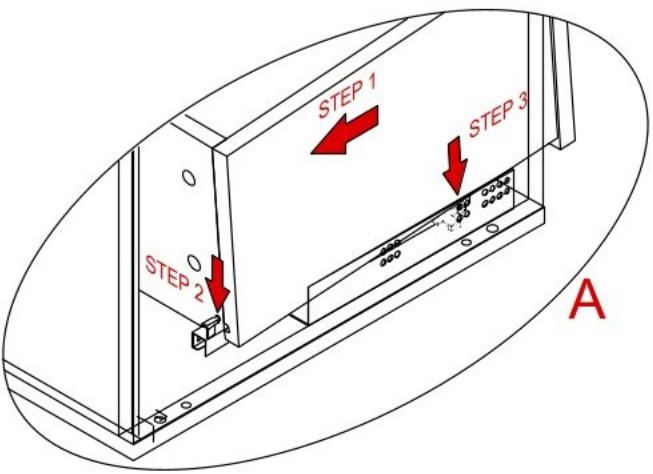
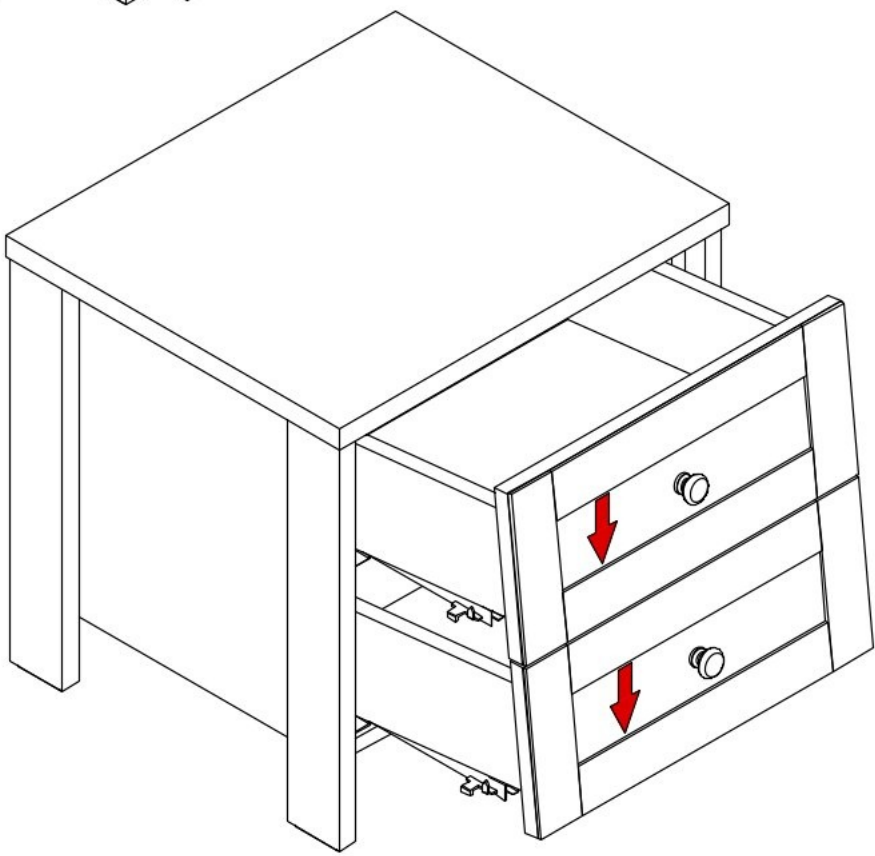
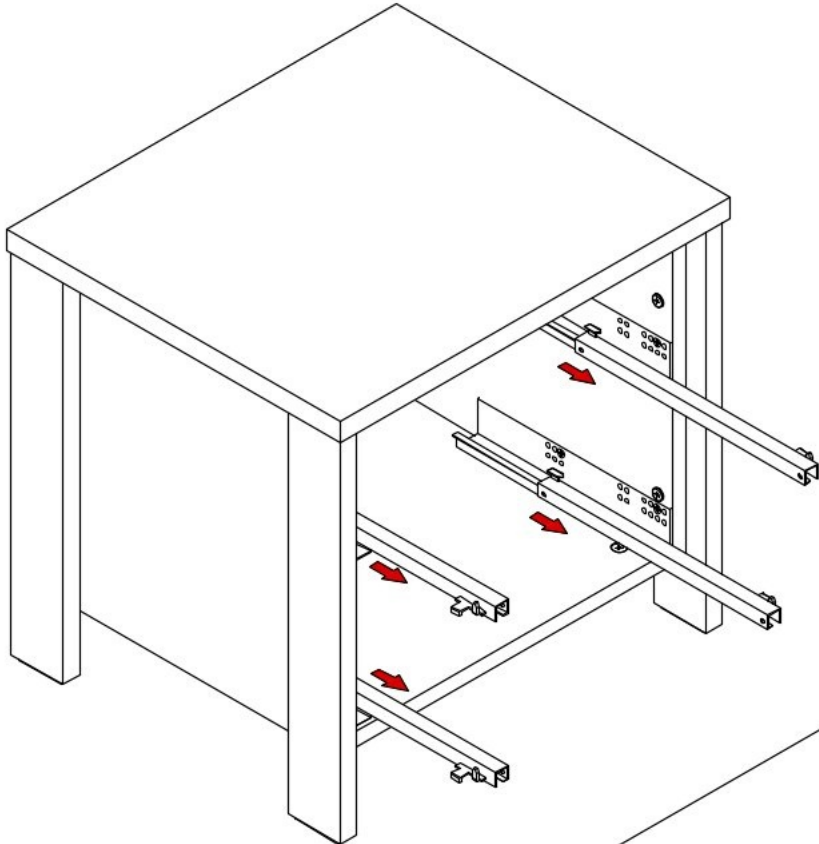


- 481**  2x
- 104**  2x
- 020**  8x

410  2x

120  8x



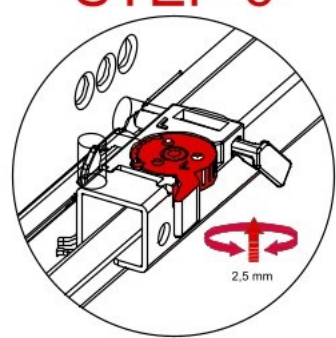
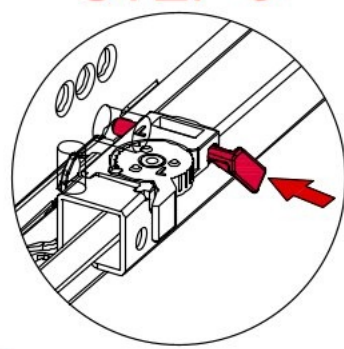
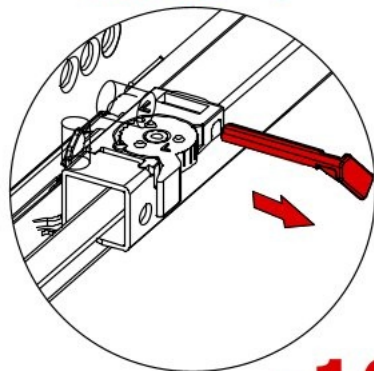
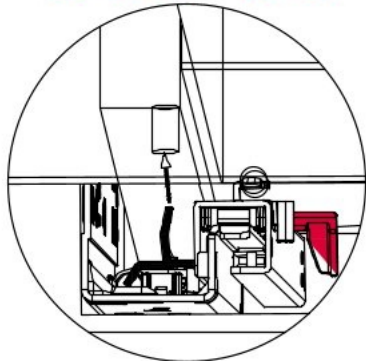


STEP 2-3

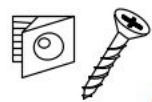
STEP 4

STEP 5

STEP 6



011



4x

