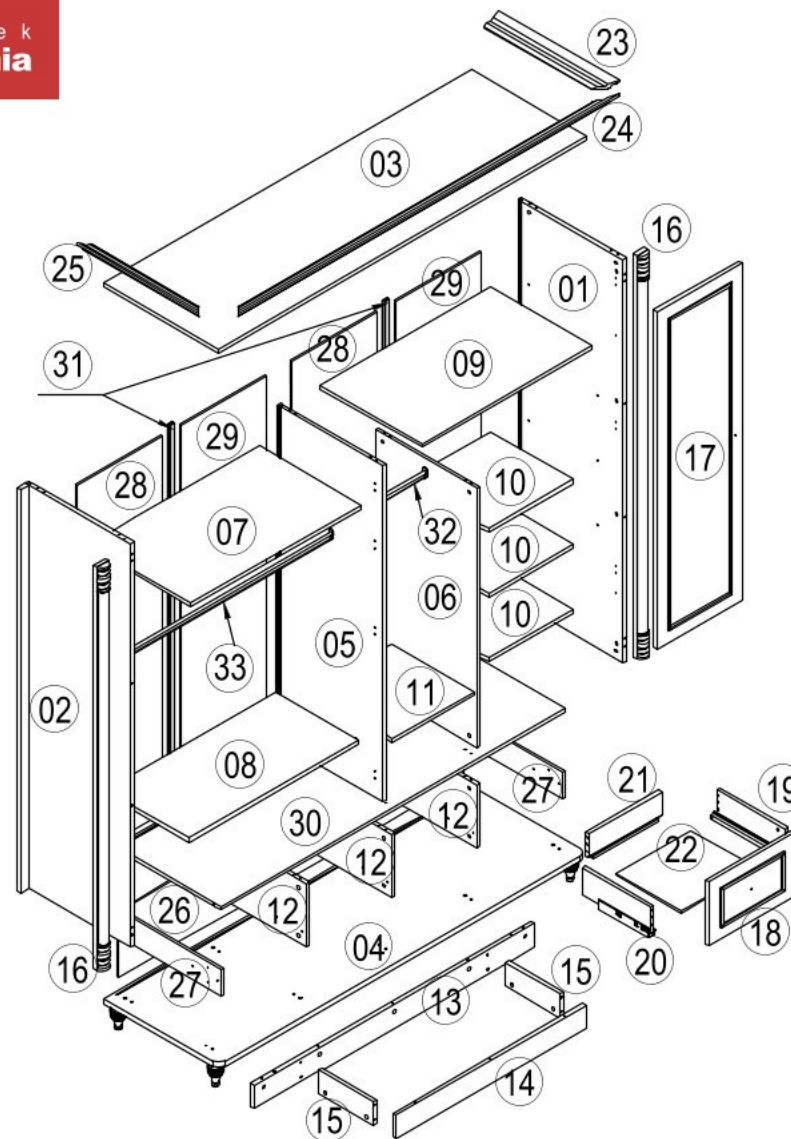
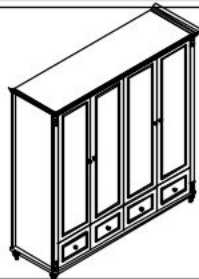






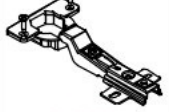

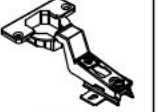



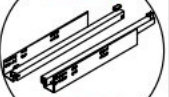





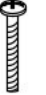







Šatní skříň 4D s osvětlením LUXOR

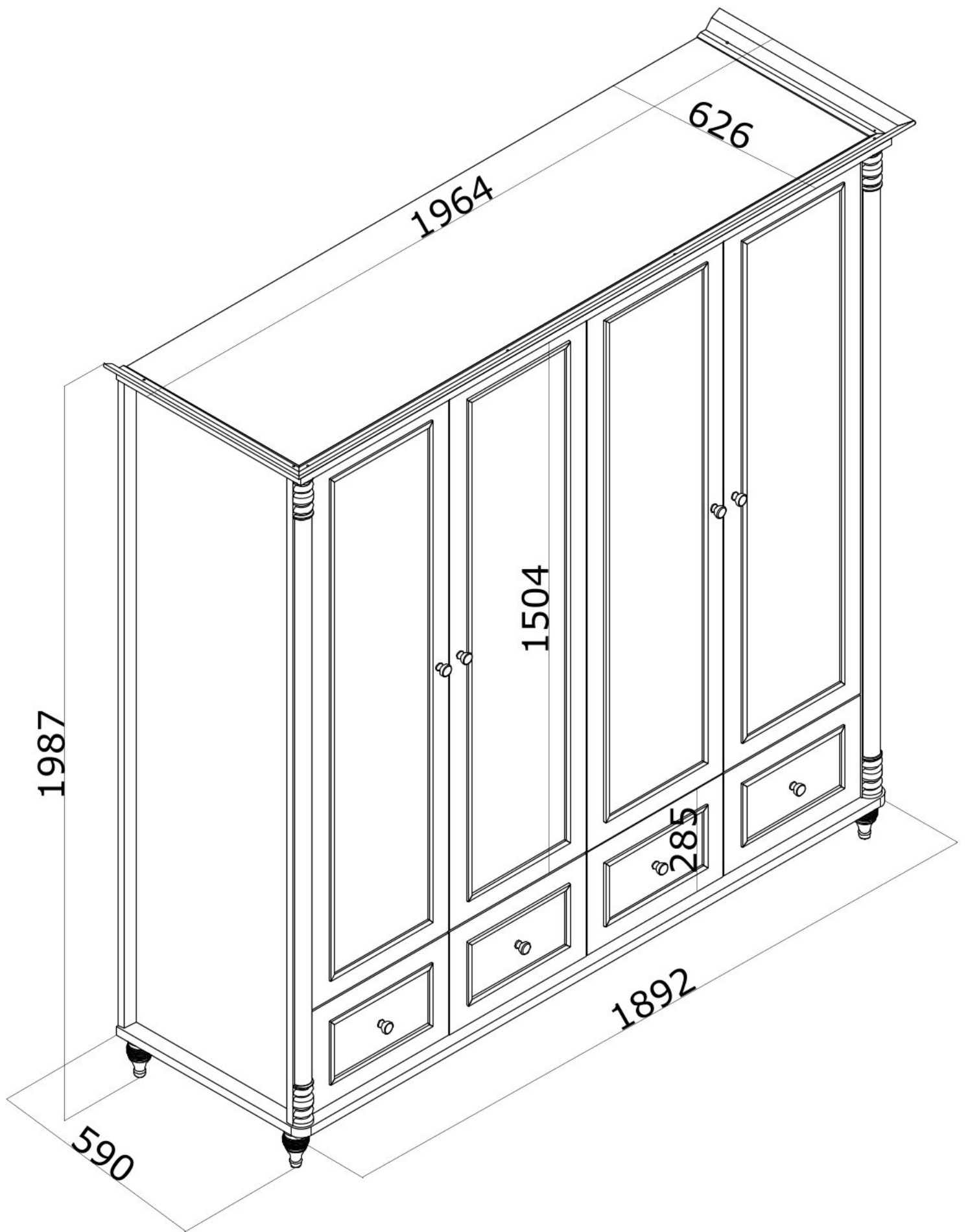


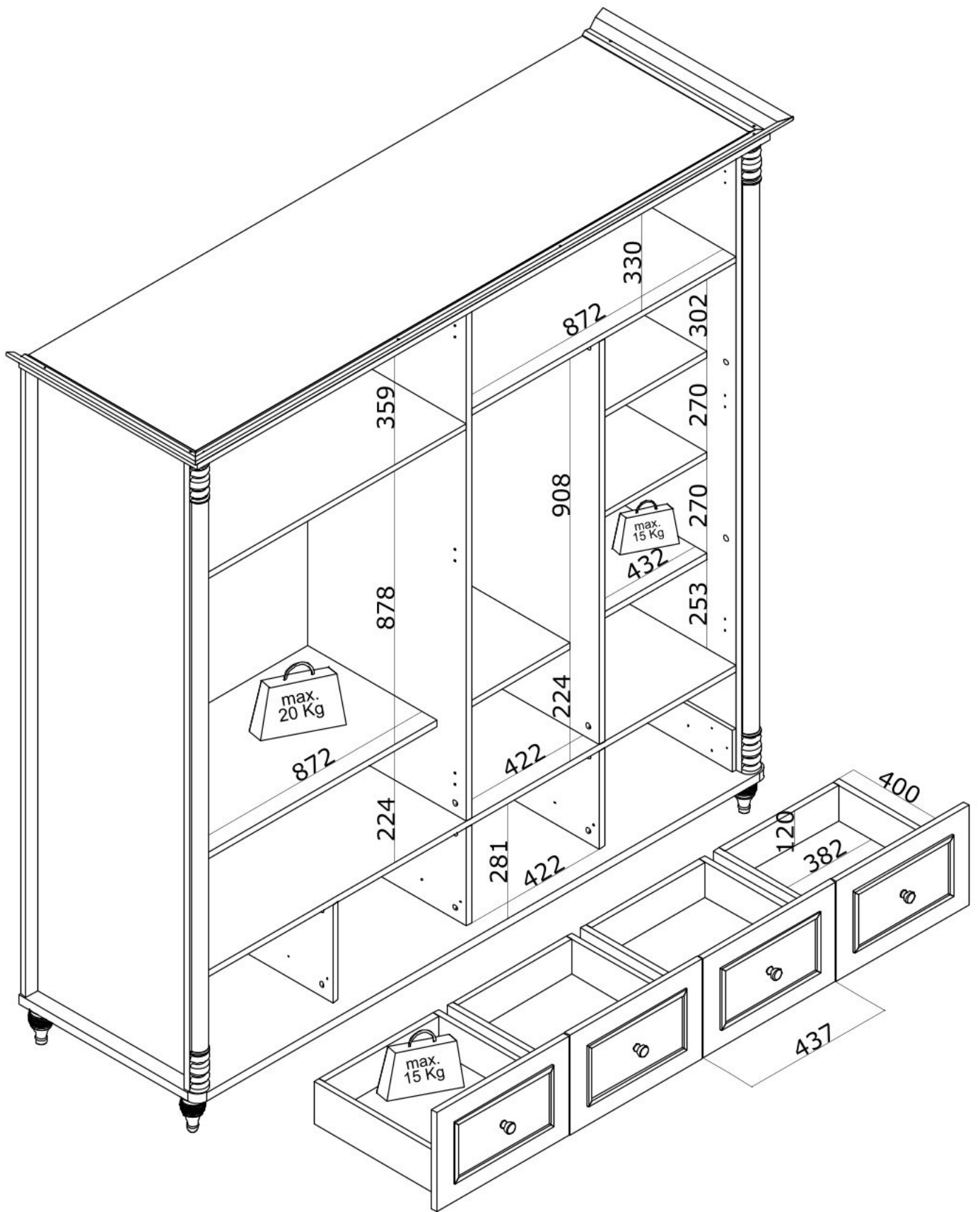
<p>ACCESSORIE NO : 317 10'LUK MİNİFİK MİL</p>  <p>36 ADET</p>	<p>ACCESSORIE NO : 002 TİTUS MİNİFİK GÖVDE</p>  <p>72 ADET</p>	<p>ACCESSORIE NO : 004 Ø8x30 KAVELA</p>  <p>62 ADET</p>	<p>ACCESSORIE NO : 001 MİNİFİK MİL 6 MM</p>  <p>28 ADET</p>	<p>ACCESSORIE NO : 009 MİNİFİK ARA MİL(86mm)</p>  <p>4 ADET</p>
<p>ACCESSORIE NO : 092 4*18 MM S. VİDASI</p>  <p>48 ADET</p>	<p>ACCESSORIE NO : 023 Y.D.B. MENTEŞE</p>  <p>2 ADET</p>	<p>ACCESSORIE NO : 184 FRENLİ Y.D.B. MENTEŞE</p>  <p>4 ADET</p>	<p>ACCESSORIE NO : 022 SÜPER DEVE MENTEŞE</p>  <p>2 ADET</p>	<p>ACCESSORIE NO : 183 FRENLİ S.D.B. MENTEŞE</p>  <p>4 ADET</p>
<p>ACCESSORIE NO : 200 RAF PİMİ EURO VİDALI</p>  <p>32 ADET</p>	<p>ACCESSORIE NO : 119 6.3*9 MM EURO VİDA</p>  <p>48 ADET</p>	<p>ACCESSORIE NO : 351 TANDEM RAY 400 (SAMET)</p>  <p>4 TAKIM</p>	<p>ACCESSORIE NO : 020 MİNİFİK TAPA</p>  <p>34 ADET</p>	<p>ACCESSORIE NO : 011 ARKALIK SABITLEME 3.5x25 S.VİDASI</p>  <p>26 ADET</p>
<p>ACCESSORIE NO : 485 NİL AYAK 10LUK BEYAZ</p>  <p>4 ADET</p>	<p>ACCESSORIE NO : 093 4*25 MM S. VİDASI</p>  <p>20 ADET</p>	<p>ACCESSORIE NO : 484 NİL TEKLİ KULP BEYAZ</p>  <p>8 ADET</p>	<p>ACCESSORIE NO : 533 3,9*28 MM PLS.VİDA</p>  <p>8 ADET</p>	<p>ACCESSORIE NO : 563 RAFİK MİL (11)</p>  <p>4 ADET</p>
<p>ACCESSORIE NO : 012 ASKI FLANŞI BEYAZ</p>  <p>4 ADET</p>	<p>ACCESSORIE NO : 507 M6*20 VİDA</p>  <p>8 ADET</p>	<p>ACCESSORIE NO : 605 LED IŞIK</p>  <p>2 ADET</p>	<p>ACCESSORIE NO : 094 3,5*16 S. VİDASI</p>  <p>6 ADET</p>	

NO	ADET/PCS	ÖLÇÜ/DIMENSIONS	NO	ADET/PCS	ÖLÇÜ/DIMENSIONS	NO	ADET/PCS	ÖLÇÜ/DIMENSIONS
01	1	1796 X 541	14	1	980 X 102	27	2	522 X 118
02	1	1796 X 541	15	2	280 X 102	28	2	1508 X 434
03	1	1892 X 590	16	2	1796 X 58	29	2	1508 X 443
04	1	1892 X 590	17	4	1501 X 437	30	1	1762 X 541
05	1	1497 X 541	18	4	437 X 285	31	2	1497X 26
06	1	1147 X 522	19	4	400 X 120	32	1	414X 30
07	1	872 X 522	20	4	400 X 120	33	1	864 X 30
08	1	872 X 426	21	4	376 X 120			
09	1	872 X 522	22	4	387 X 387			
10	3	426 X 422	23	1	626 X 73			
11	1	432 X 426	24	1	1964 X 73			
12	3	522 X 281	25	1	626 X 73			
13	1	1440 X 120	26	1	1773 X 292			

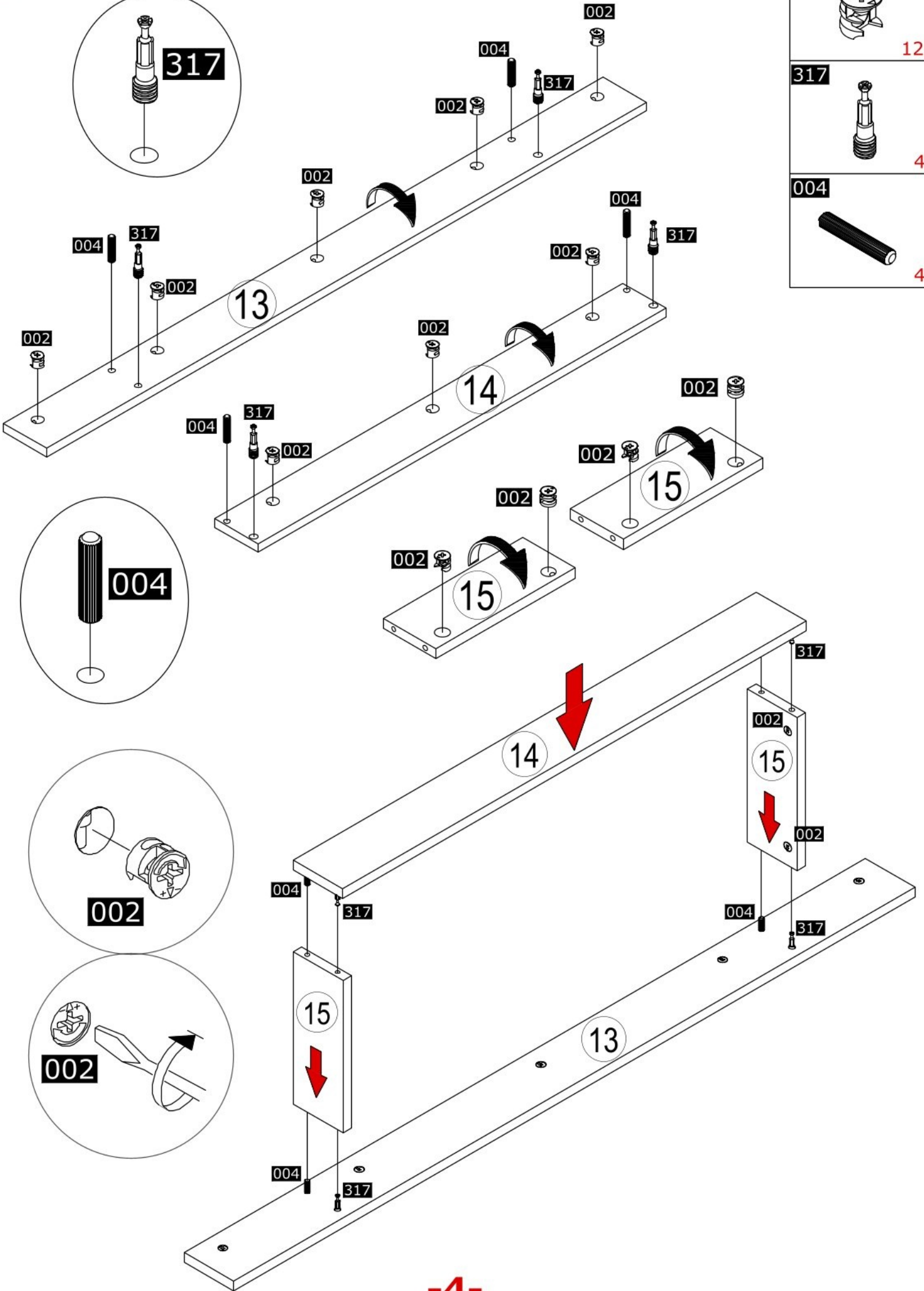
PLEASE ORDER THE ACCESSORIES ACCORDING TO THE REFERENCE NUMBER ON THE DRAWING(EXAMPLE ACCESSORIE NO-008 RAFİK MİL 1.PCS.)

PLEASE ORDER THE SPARE PARTS ACCORDING TO THE REFERENCE NUMBER ON THE DRAWING





1



002



12x

317

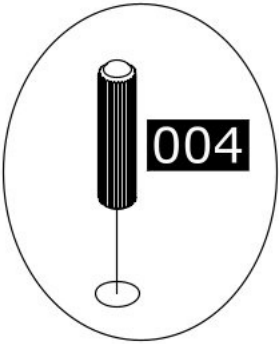


4x

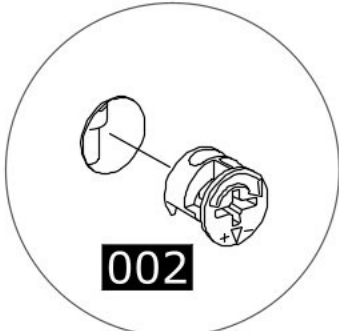
004



4x



004

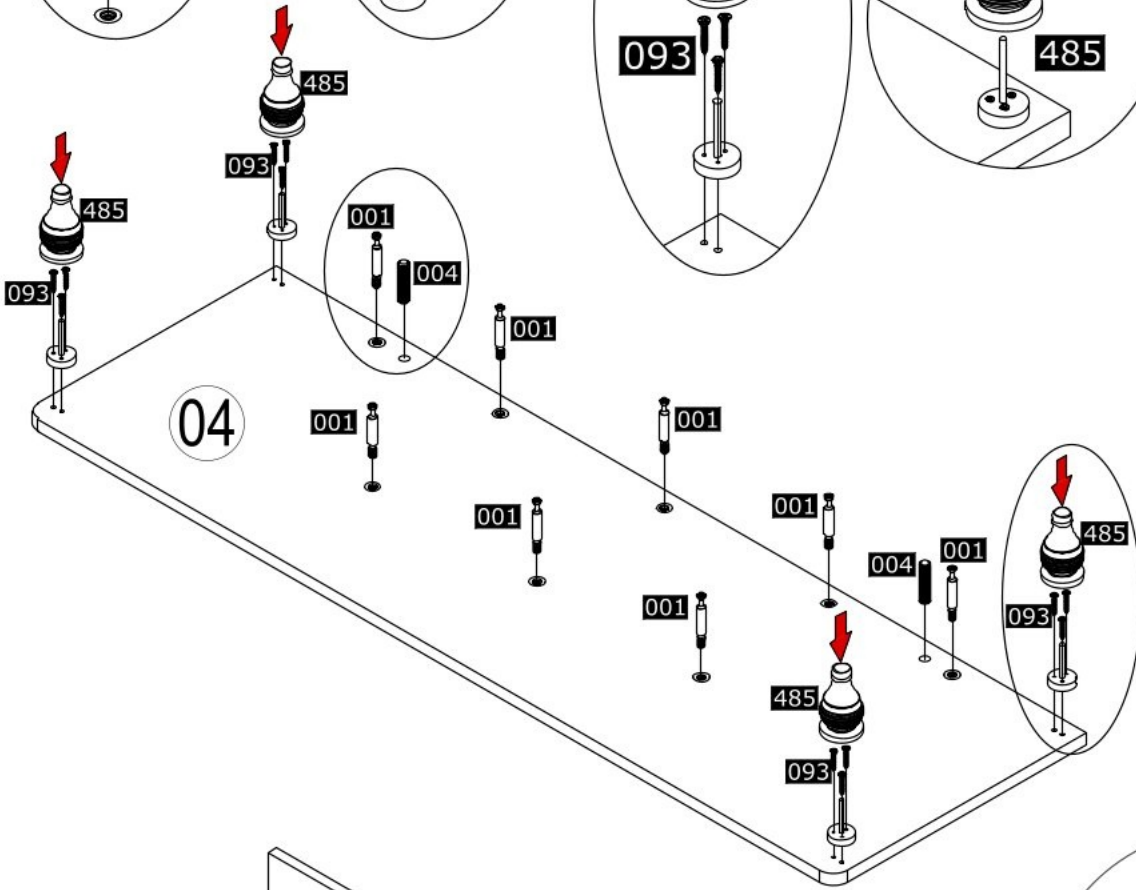
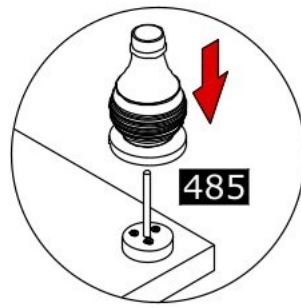
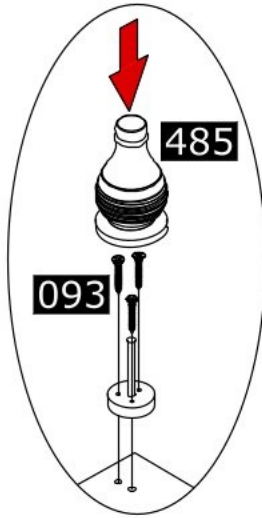
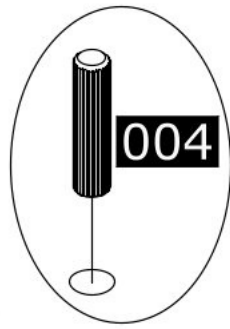
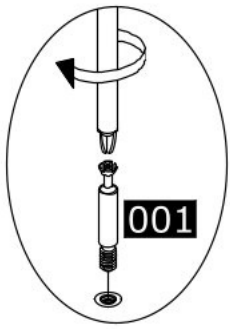


002

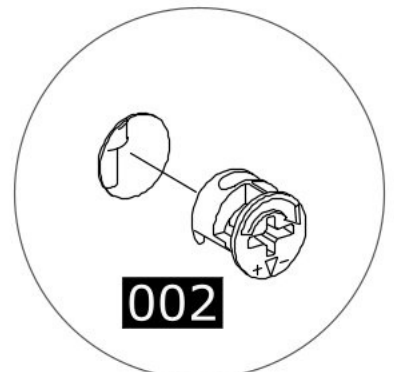
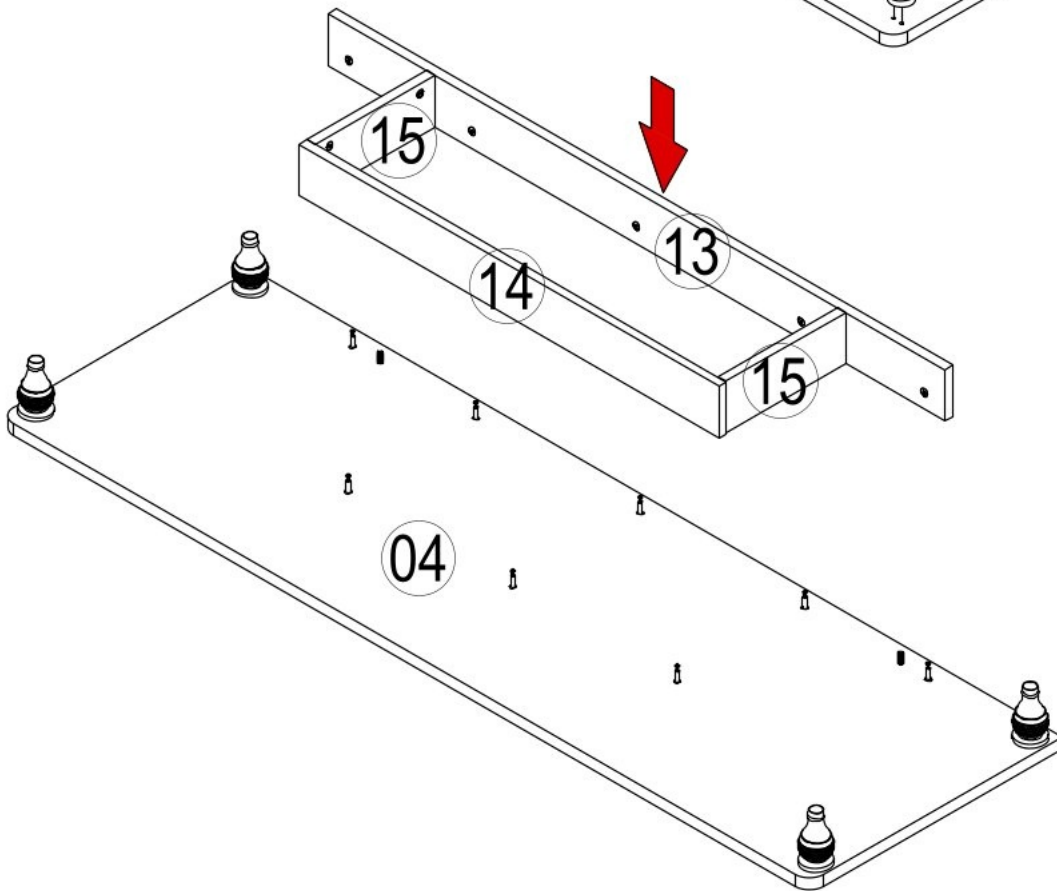


002

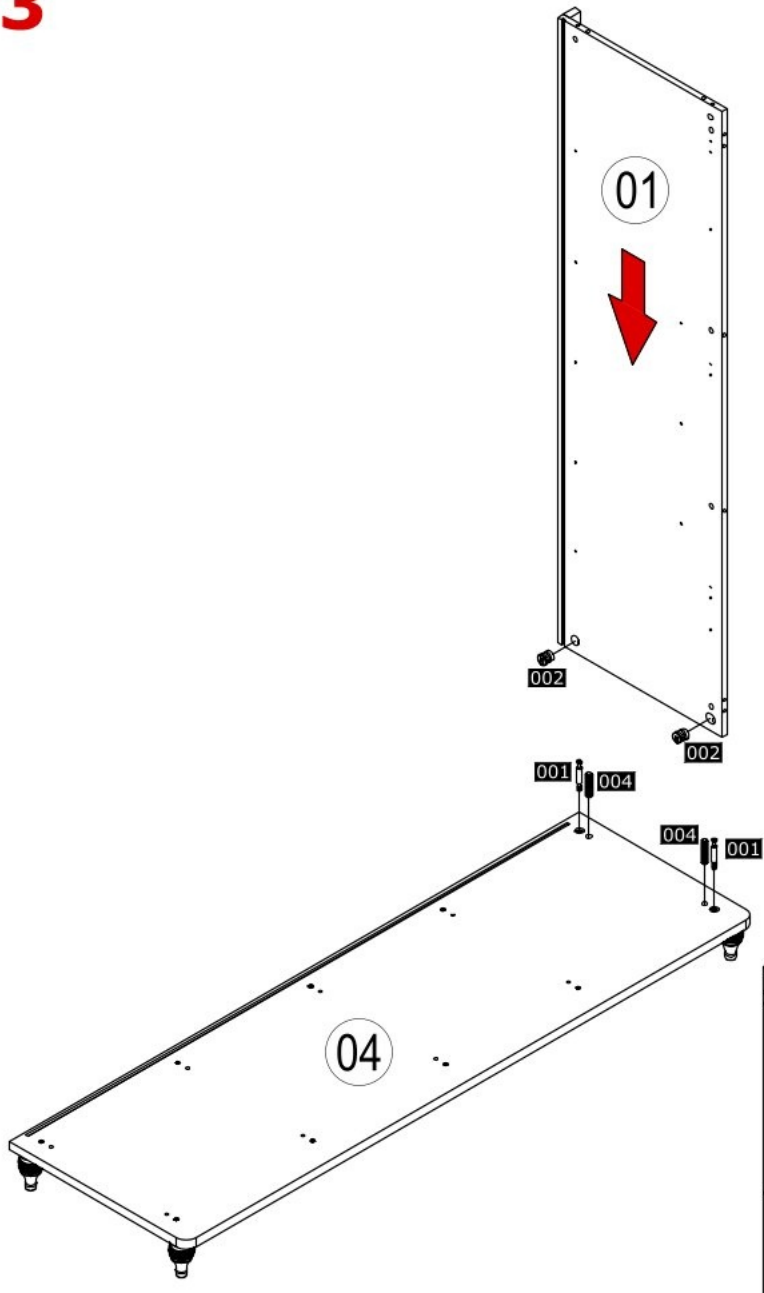
2






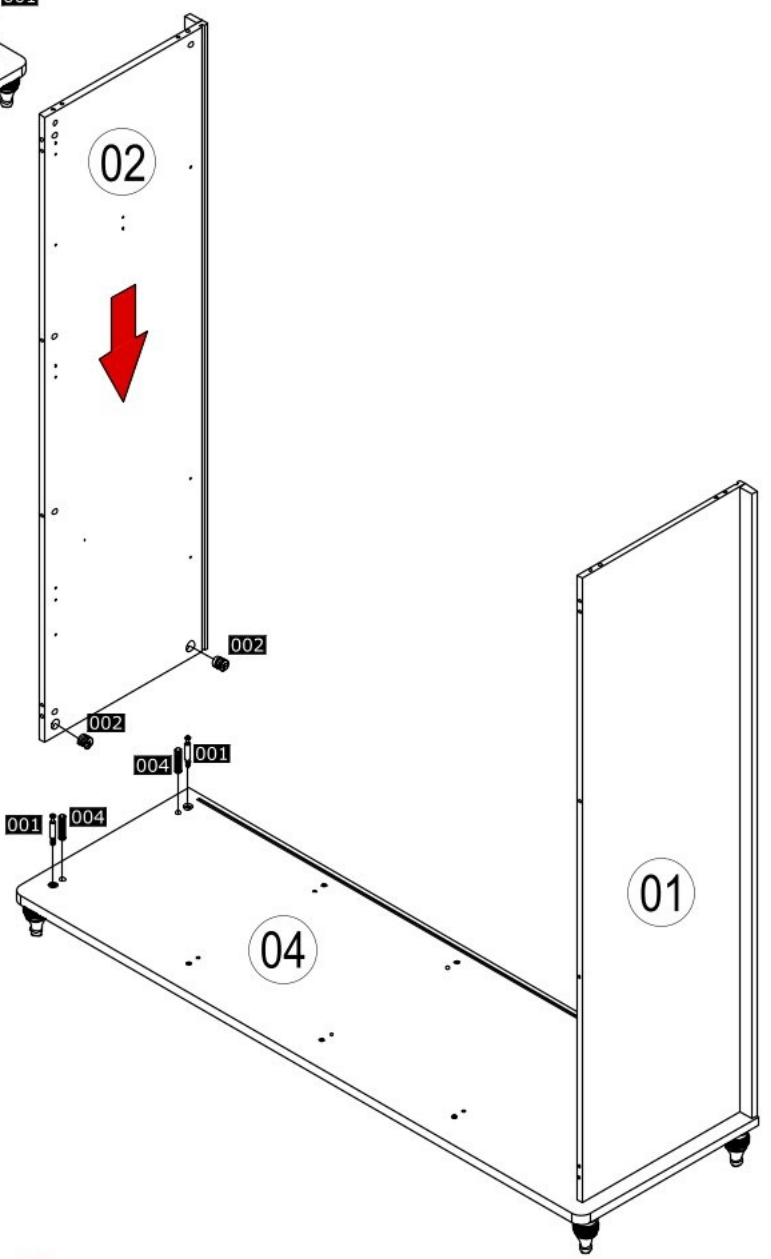
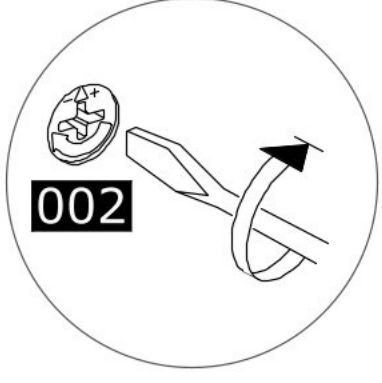
001		8x
004		2x
485		4x
093		12x



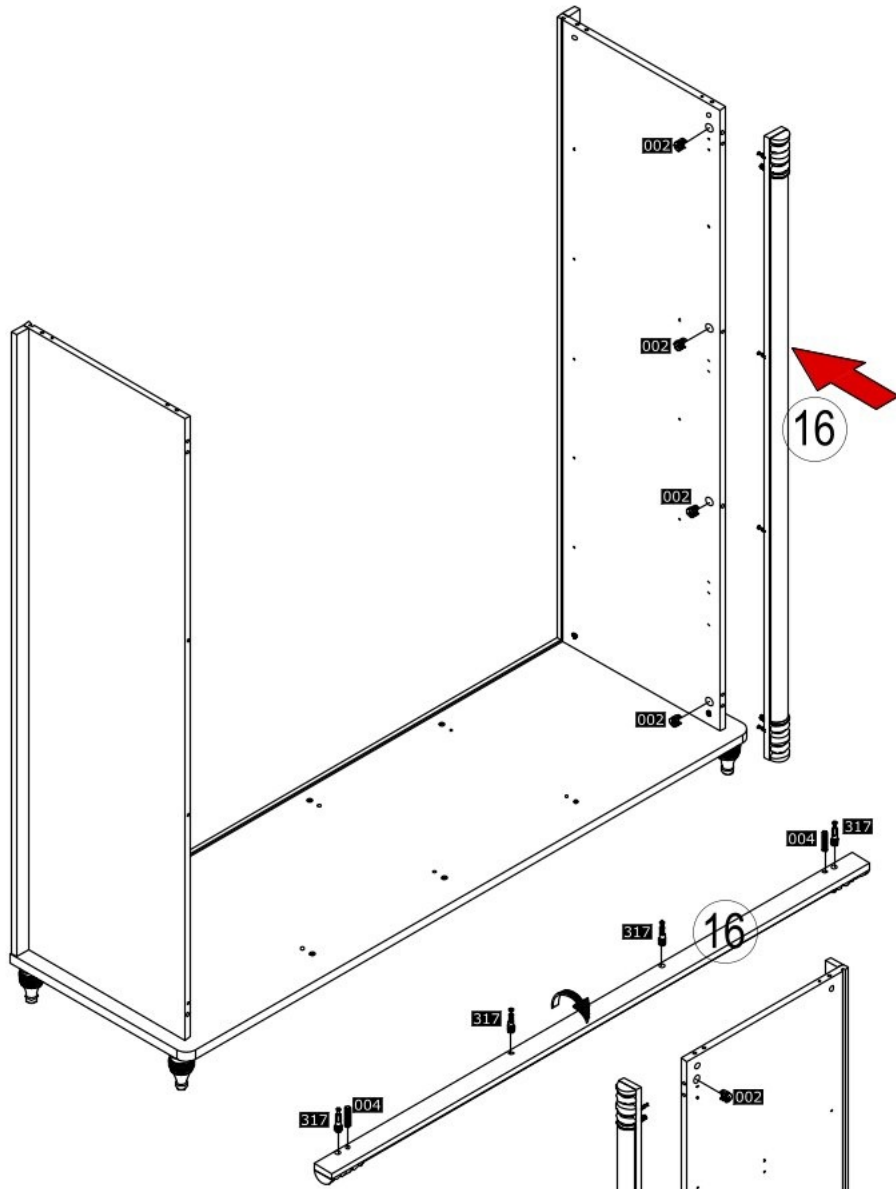
3



- 002**

4x
- 001**

4x
- 004**

4x



4



020



6x

002



8x

317

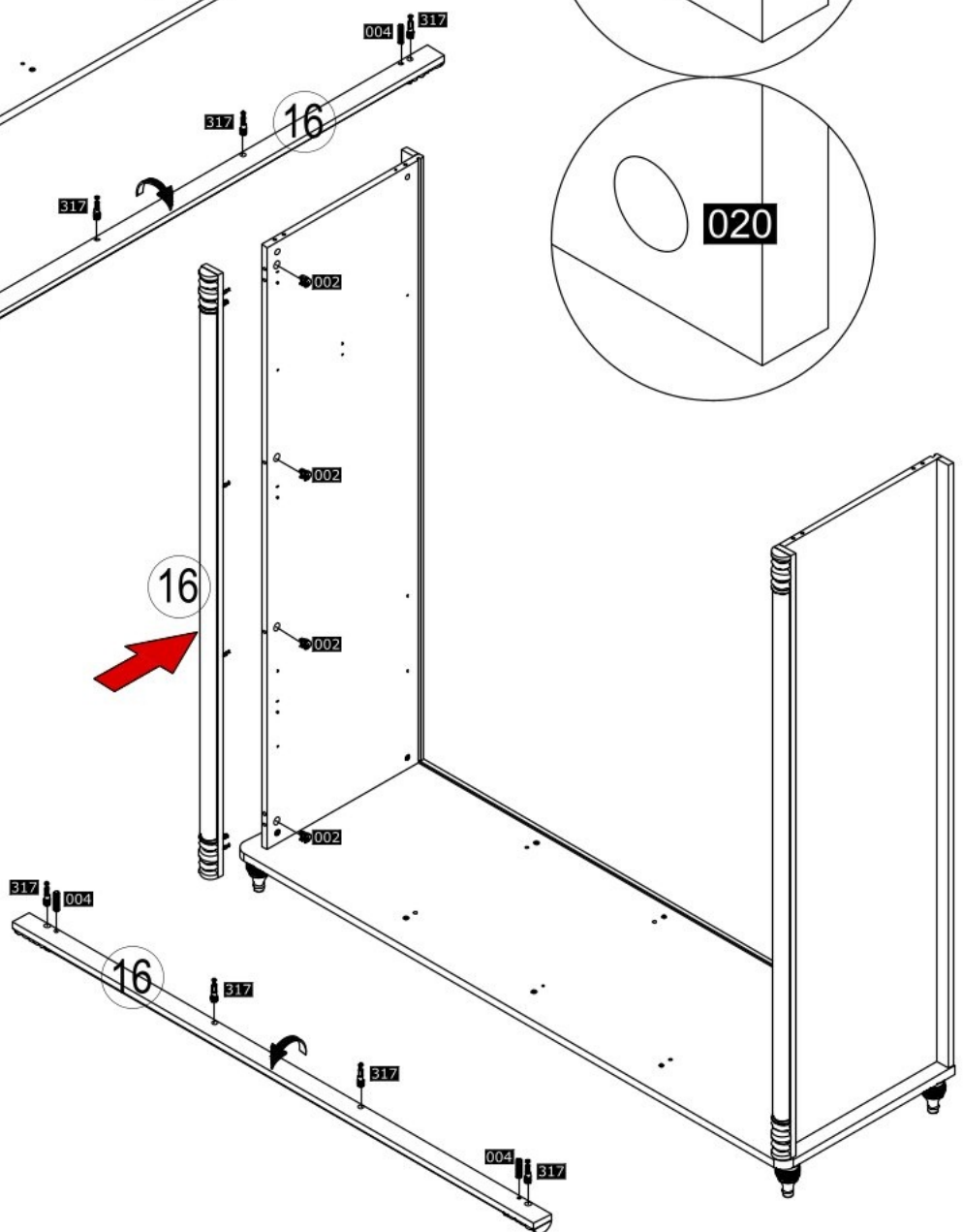
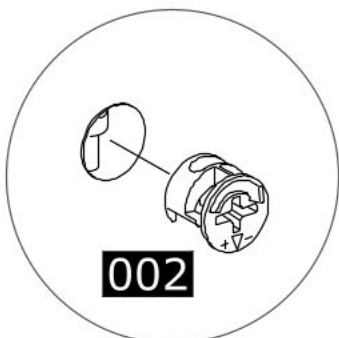
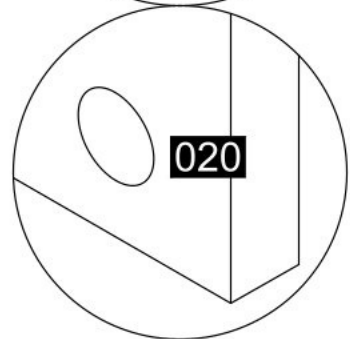
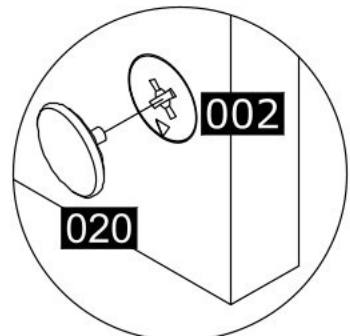


8x

004



4x

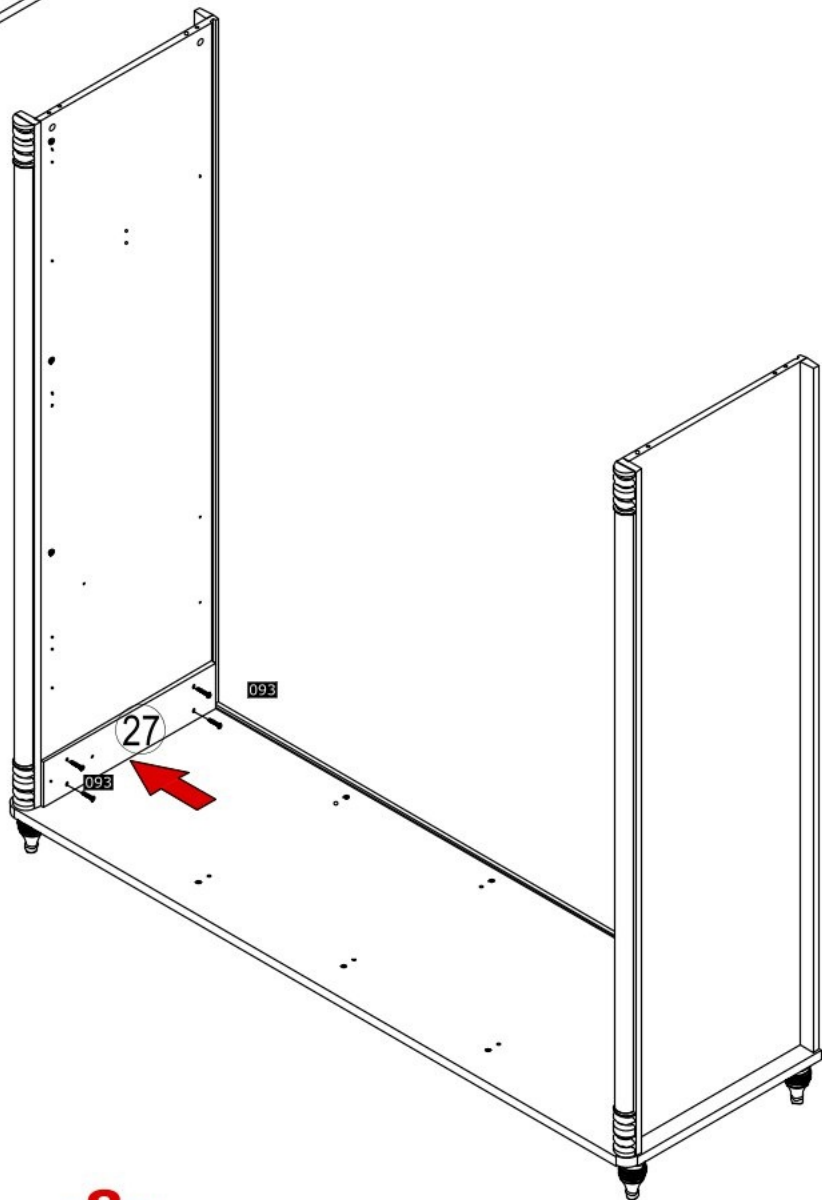
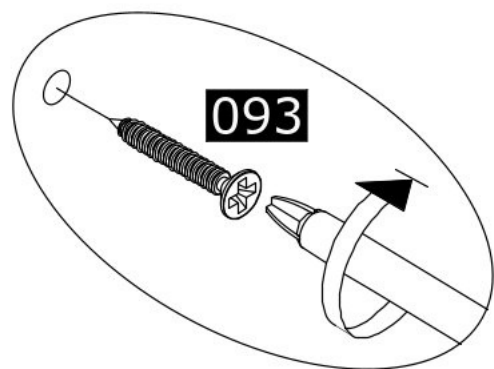
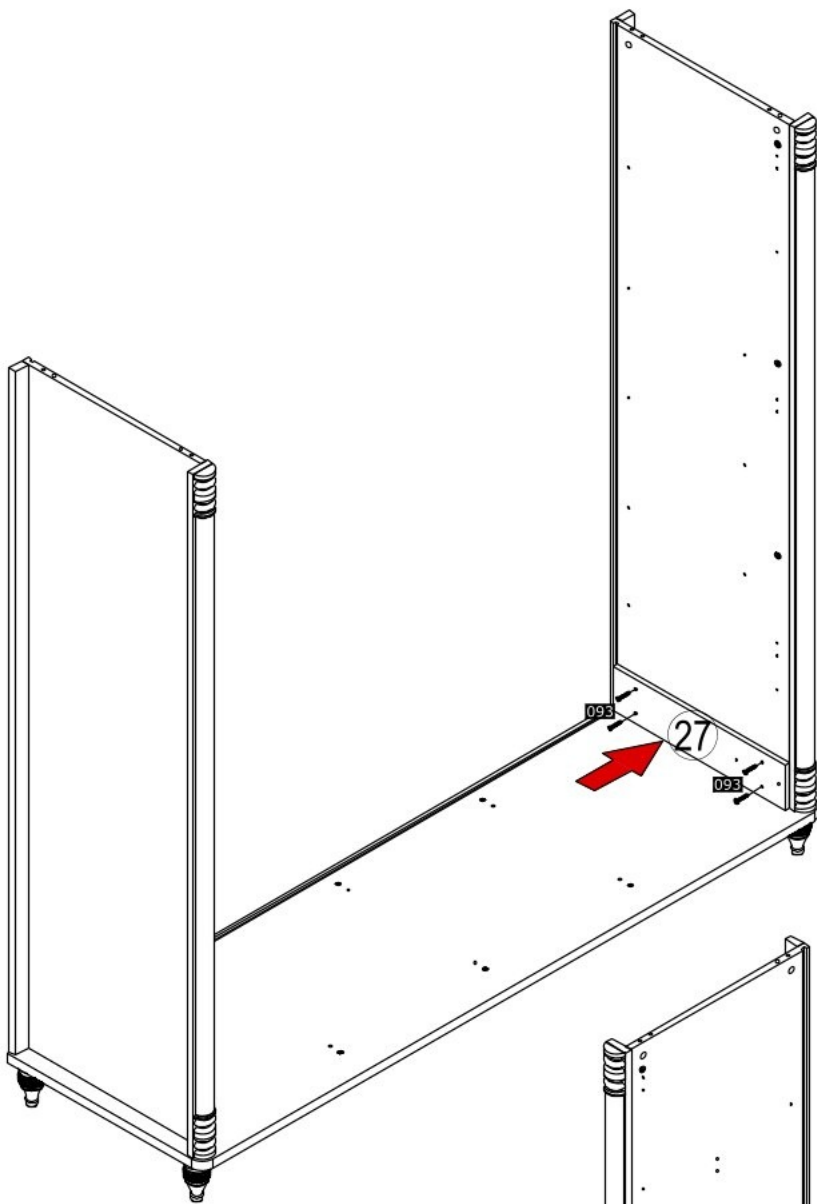


5

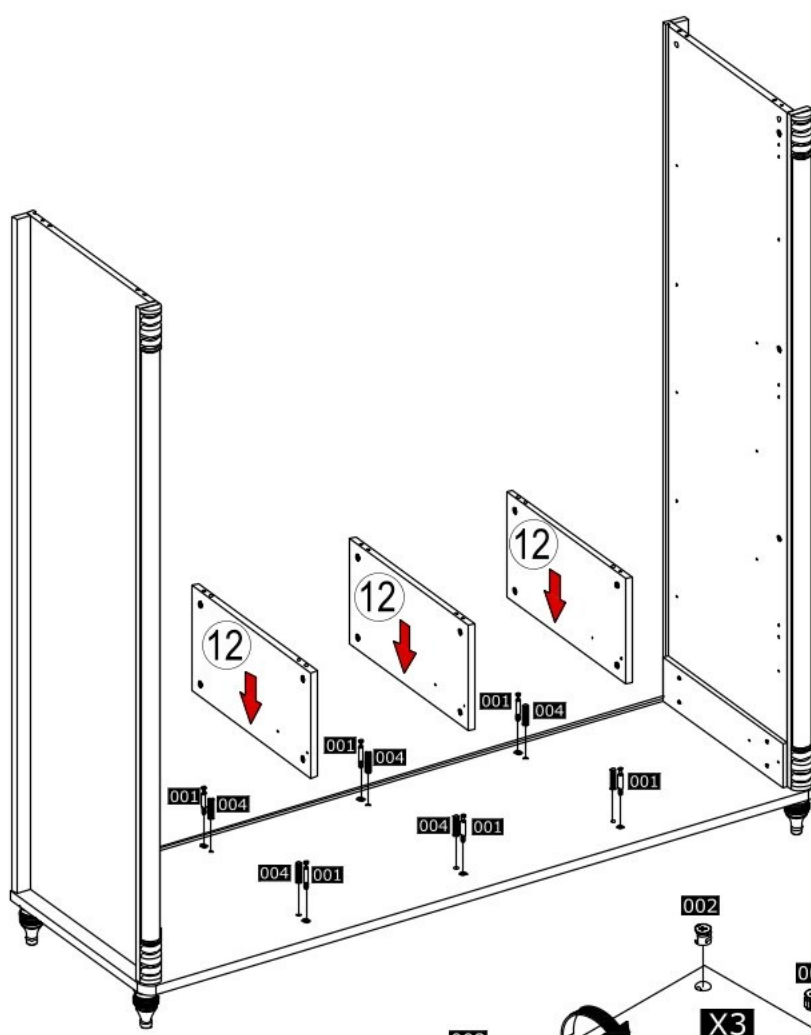
093






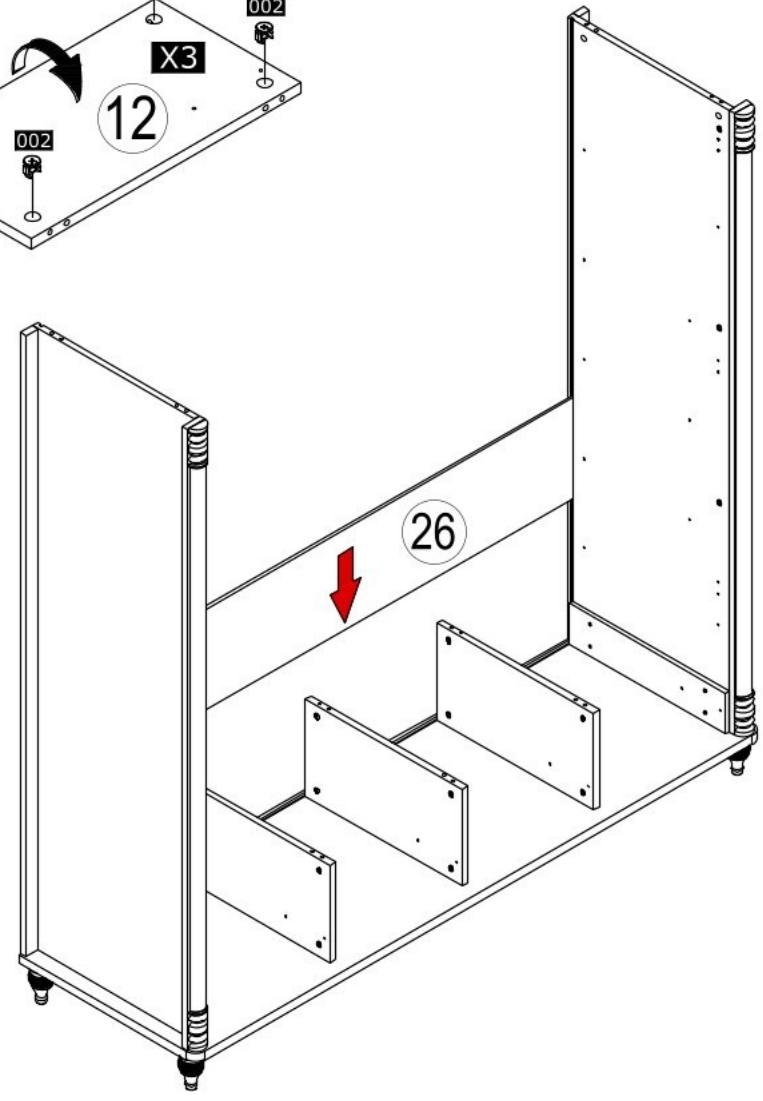
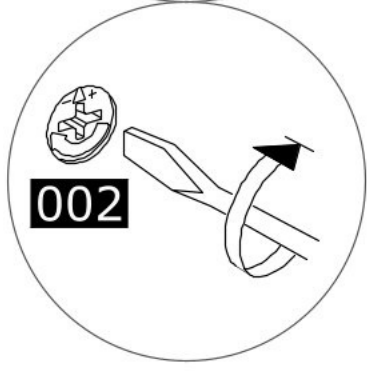
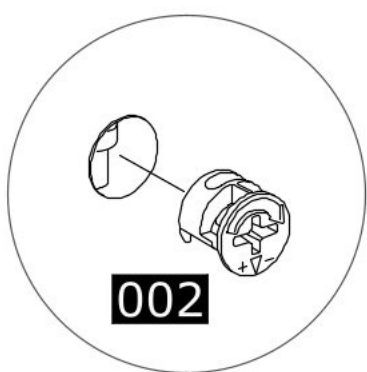
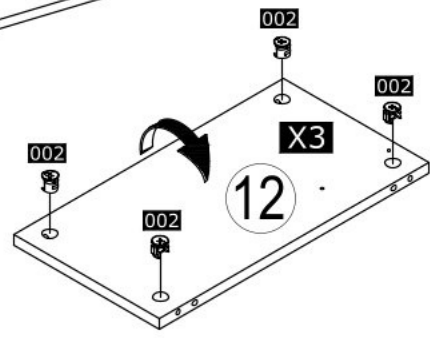
8x



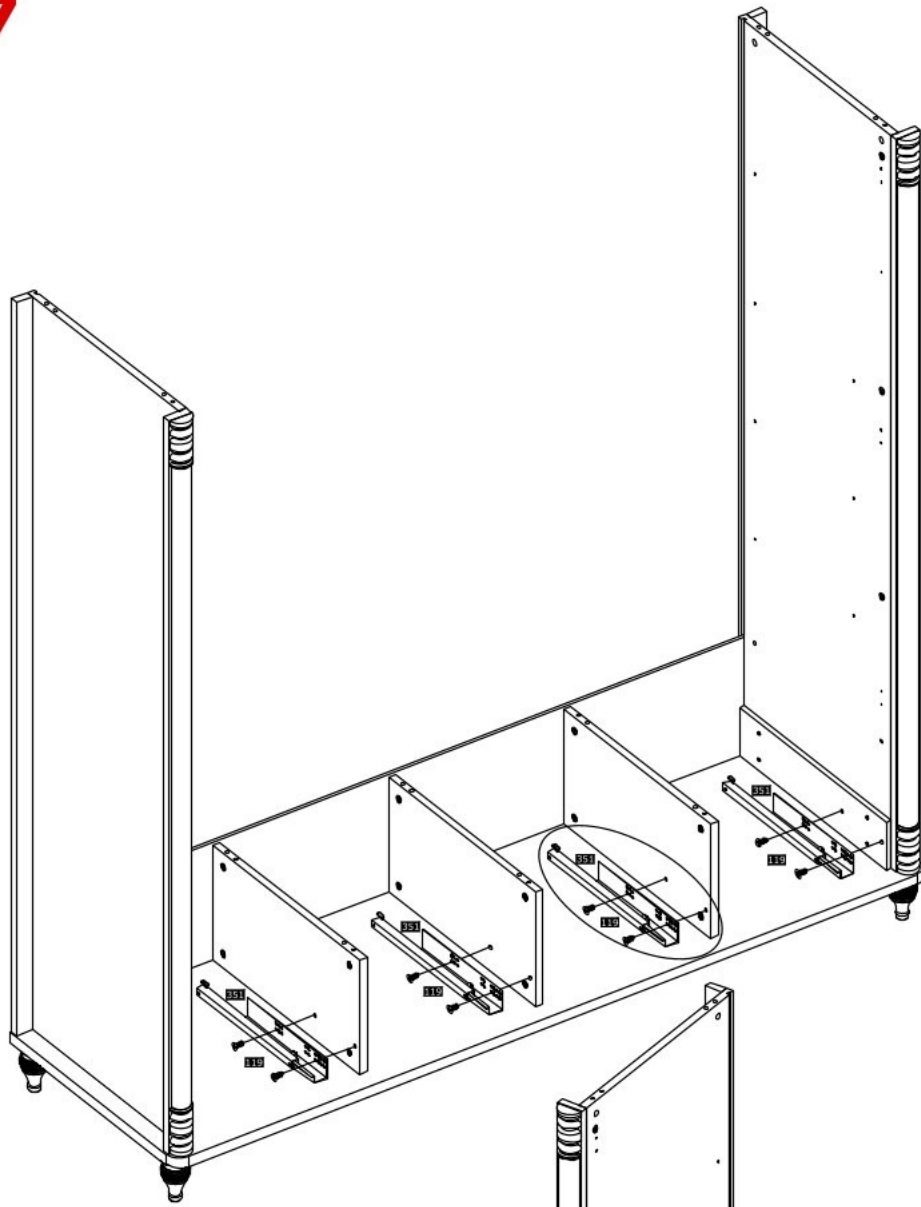
6



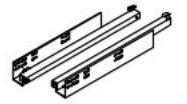
- 002  12x
- 001  6x
- 004  6x



7



351

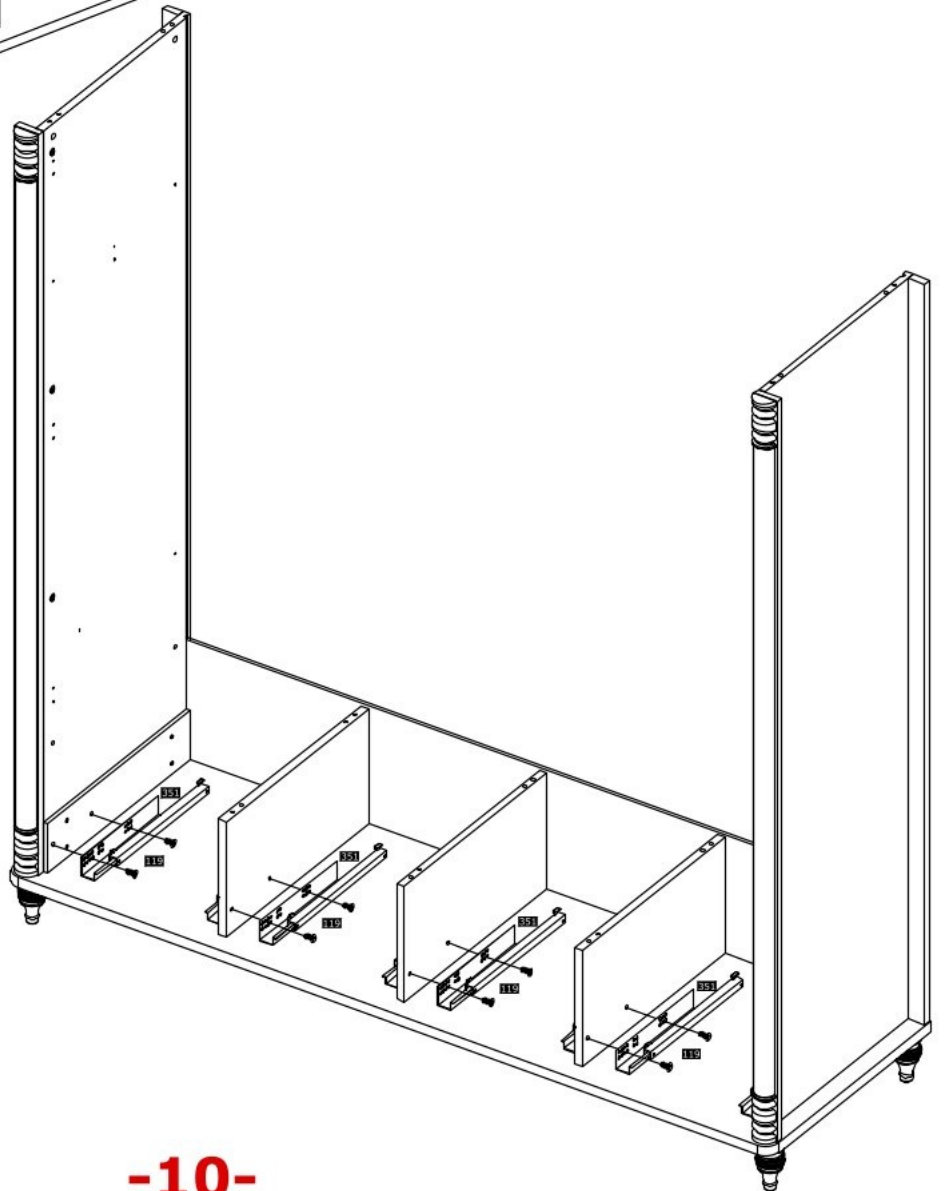
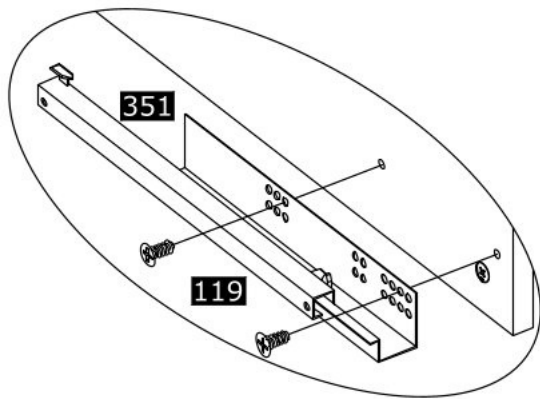


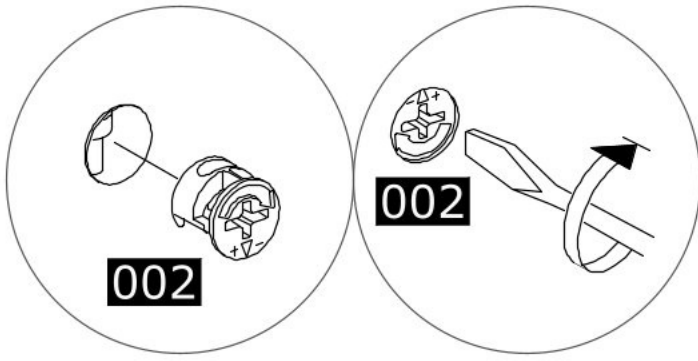
4x





119

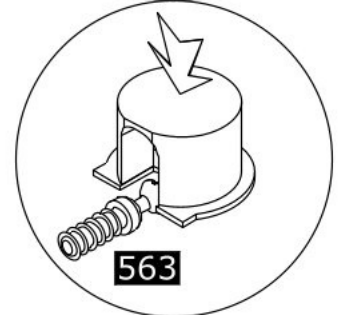
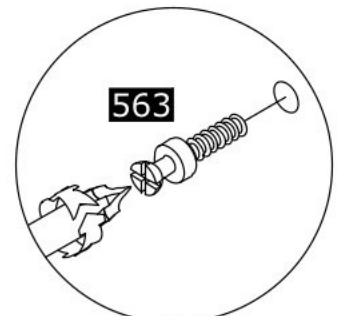
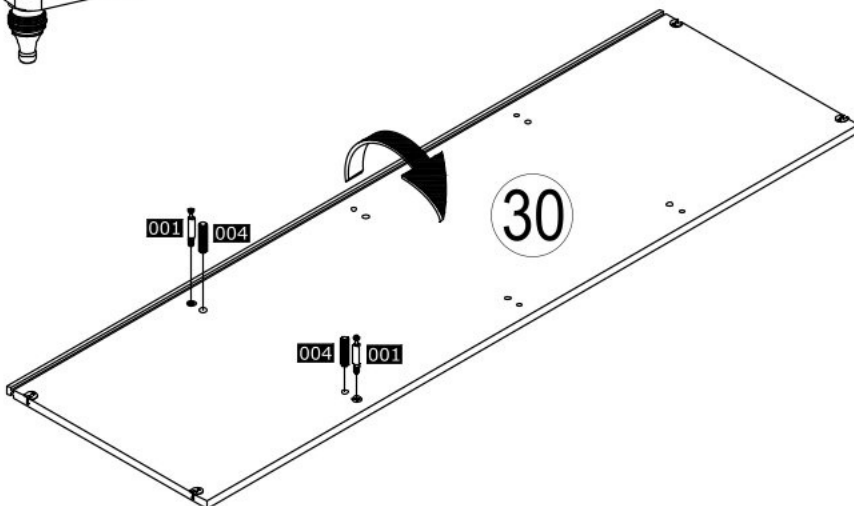
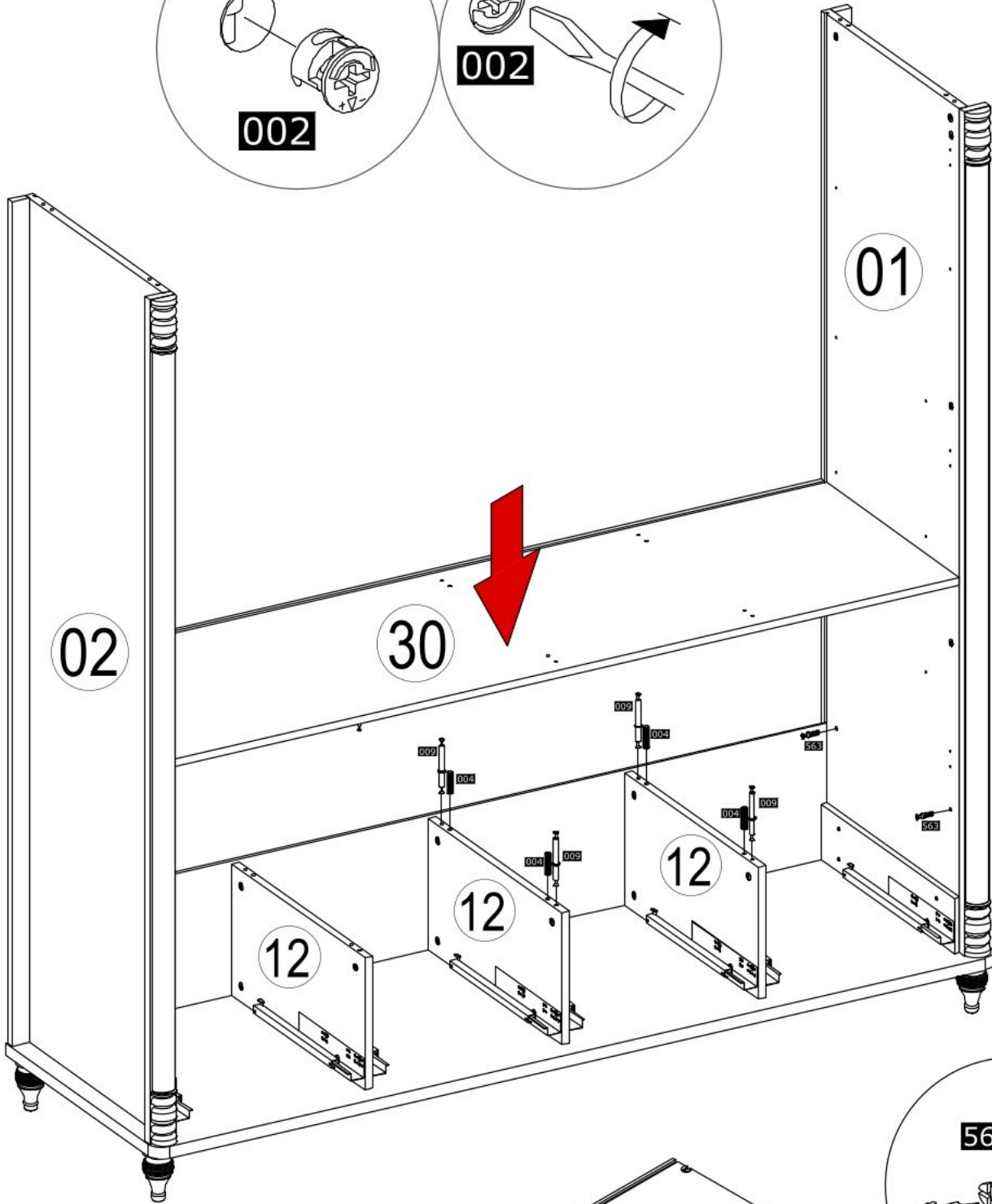


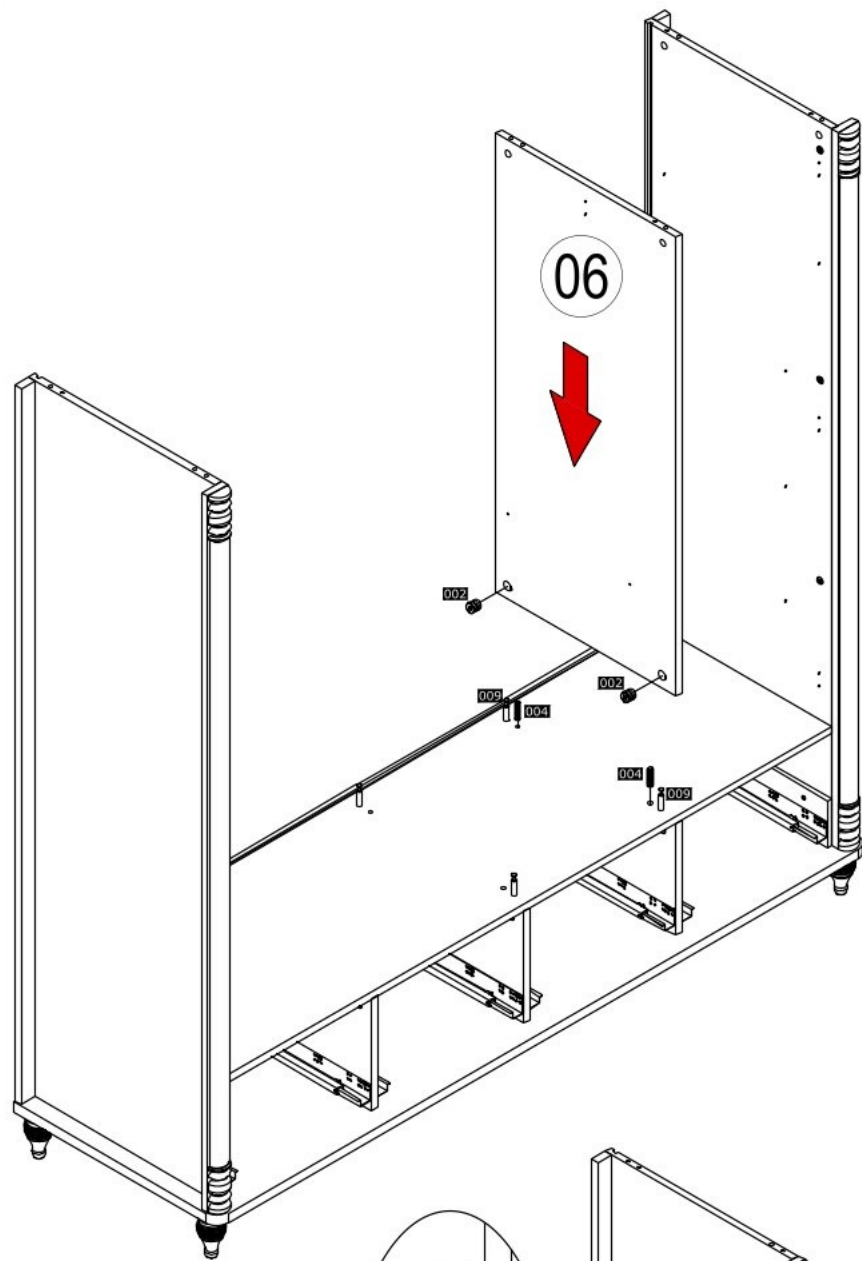
16x





- 001  2x
- 009  4x
- 004  6x
- 563  4x





002



4x

004

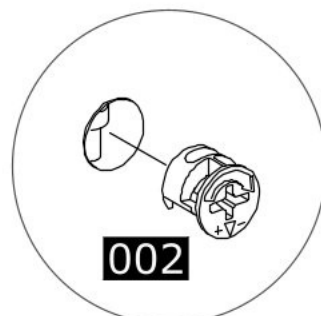


4x

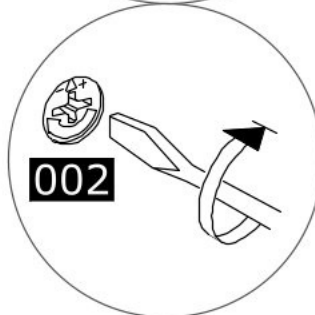
020



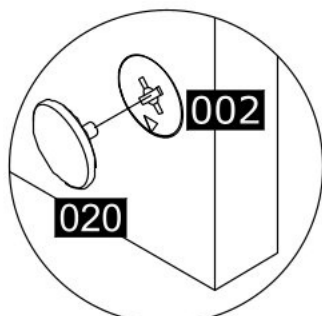
4x



002

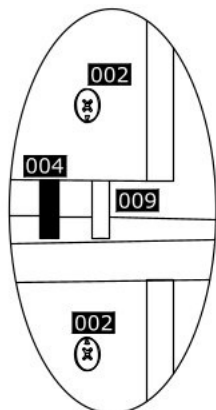


002



020

002



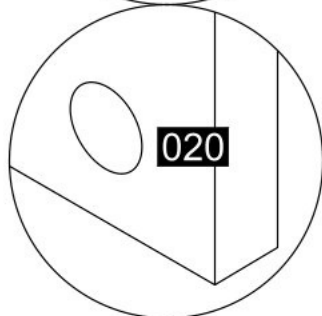
002

004

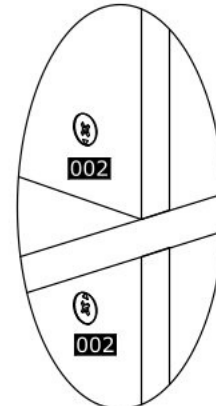
009

002

002



020

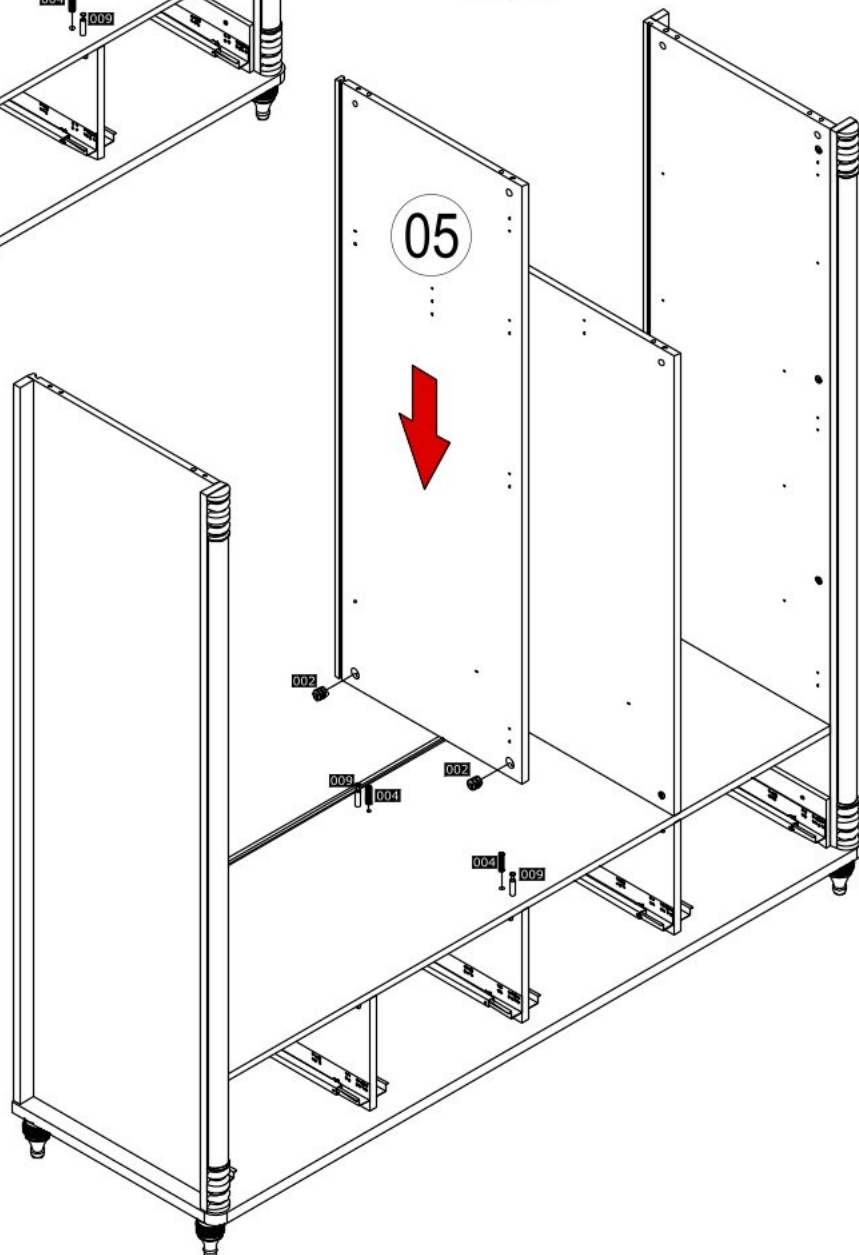


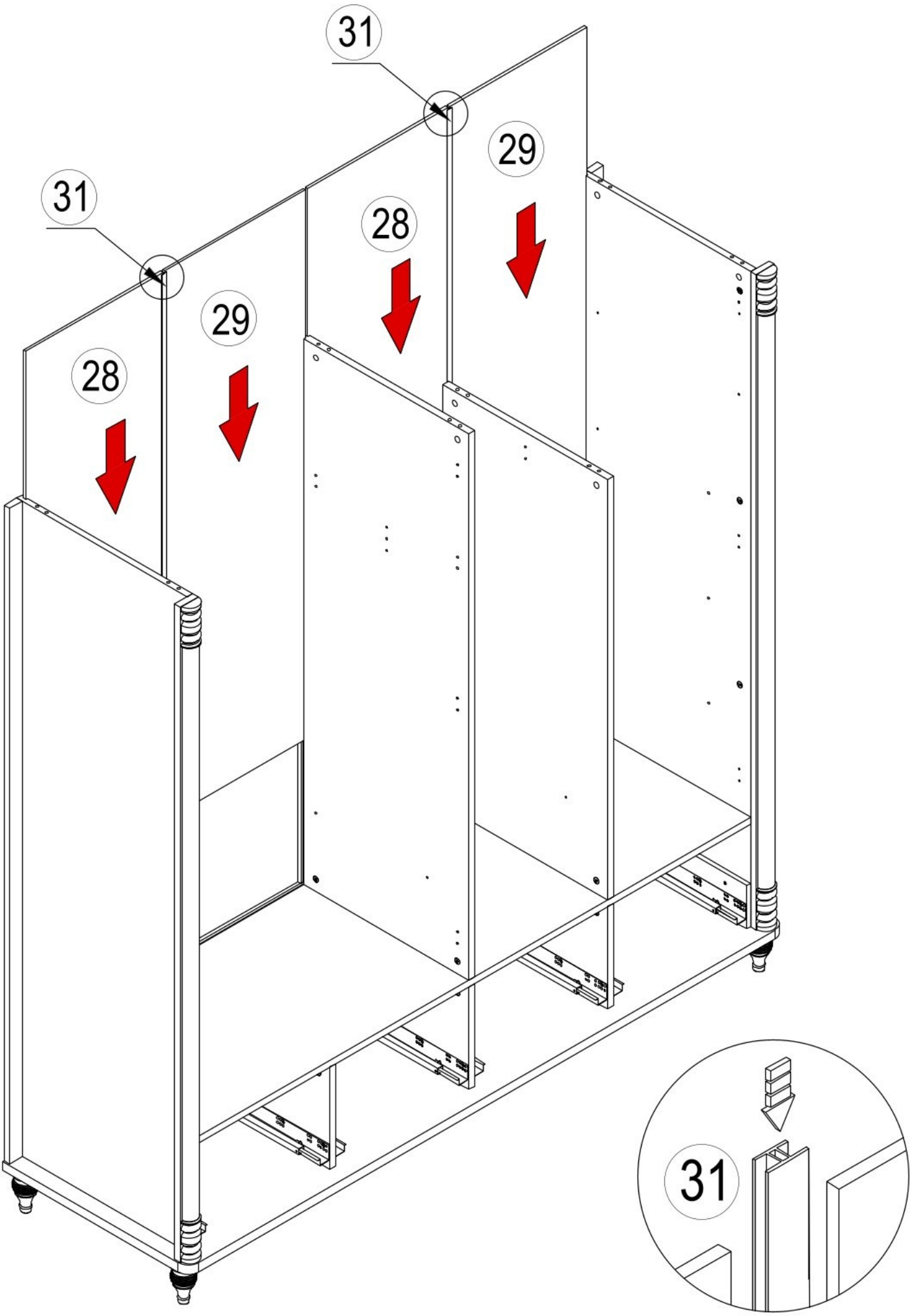
002

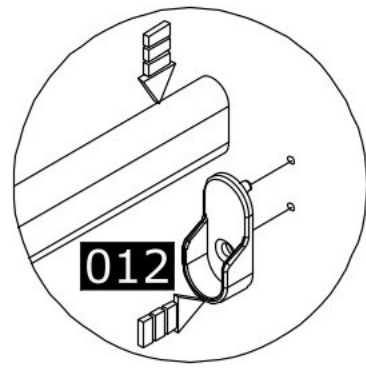
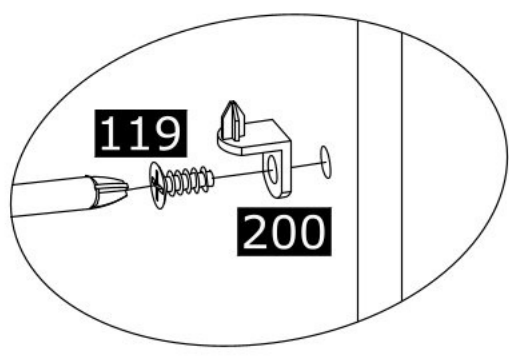
002




002

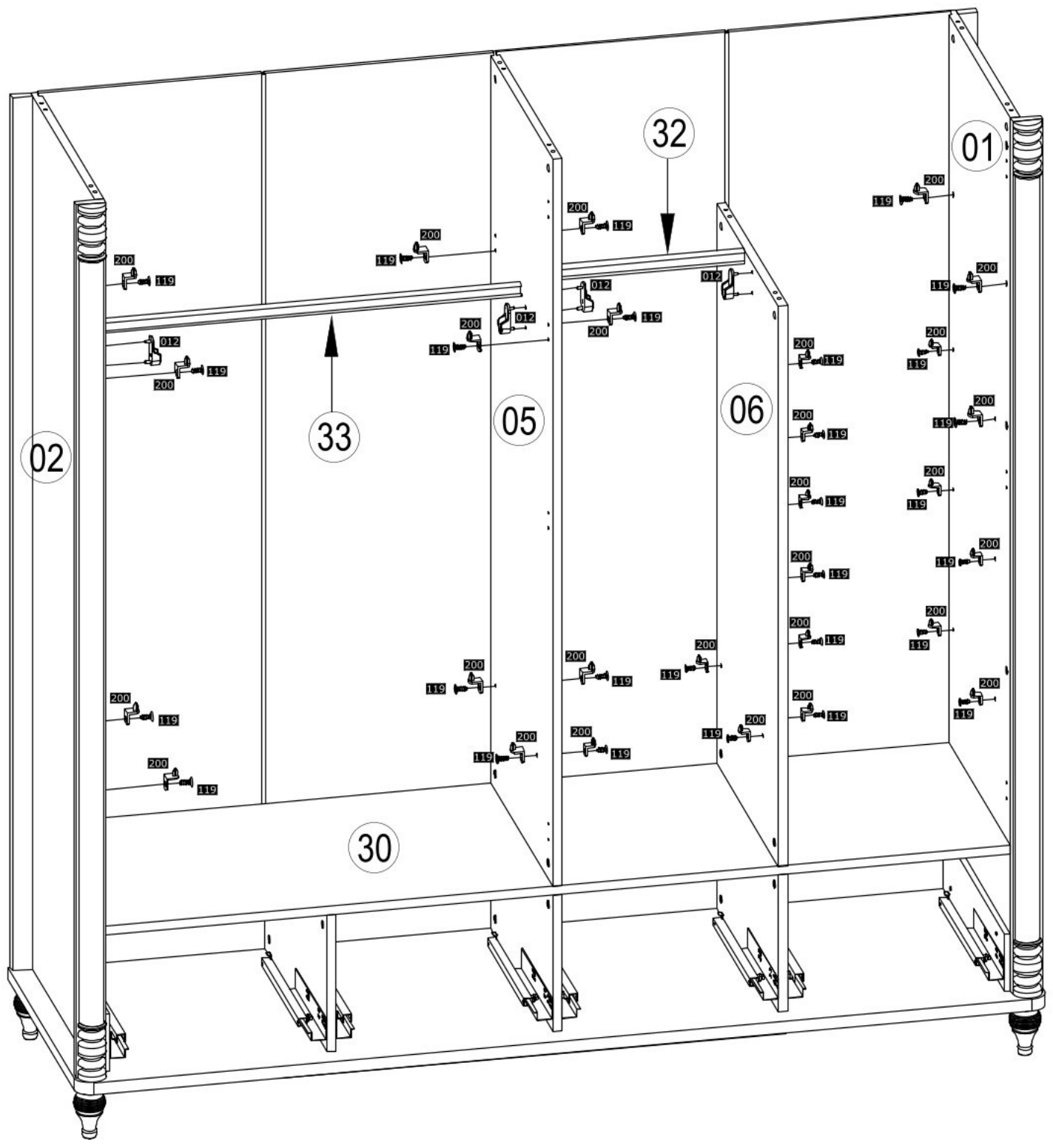
002

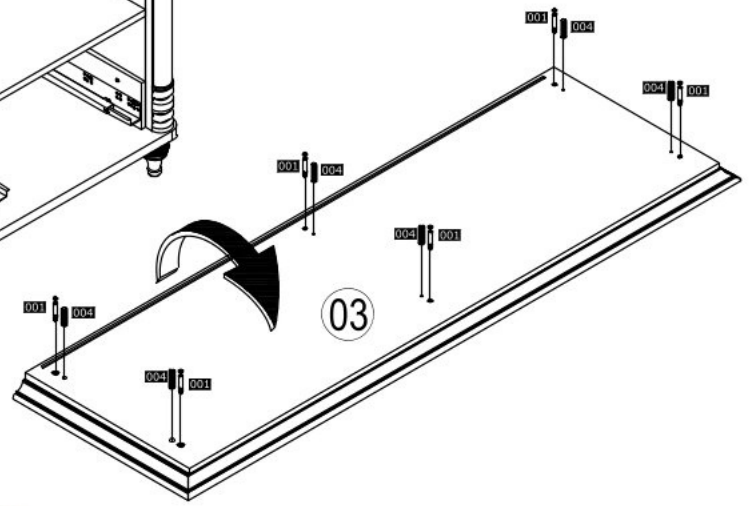
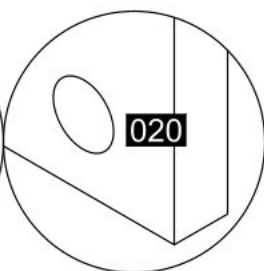
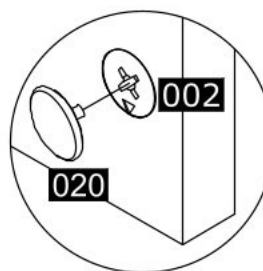
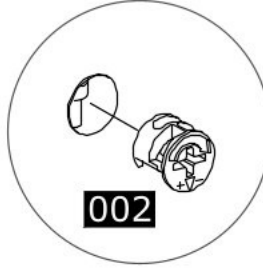
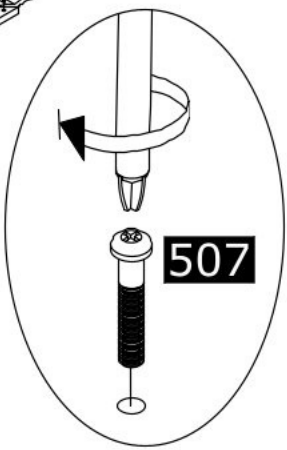
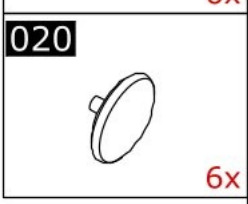
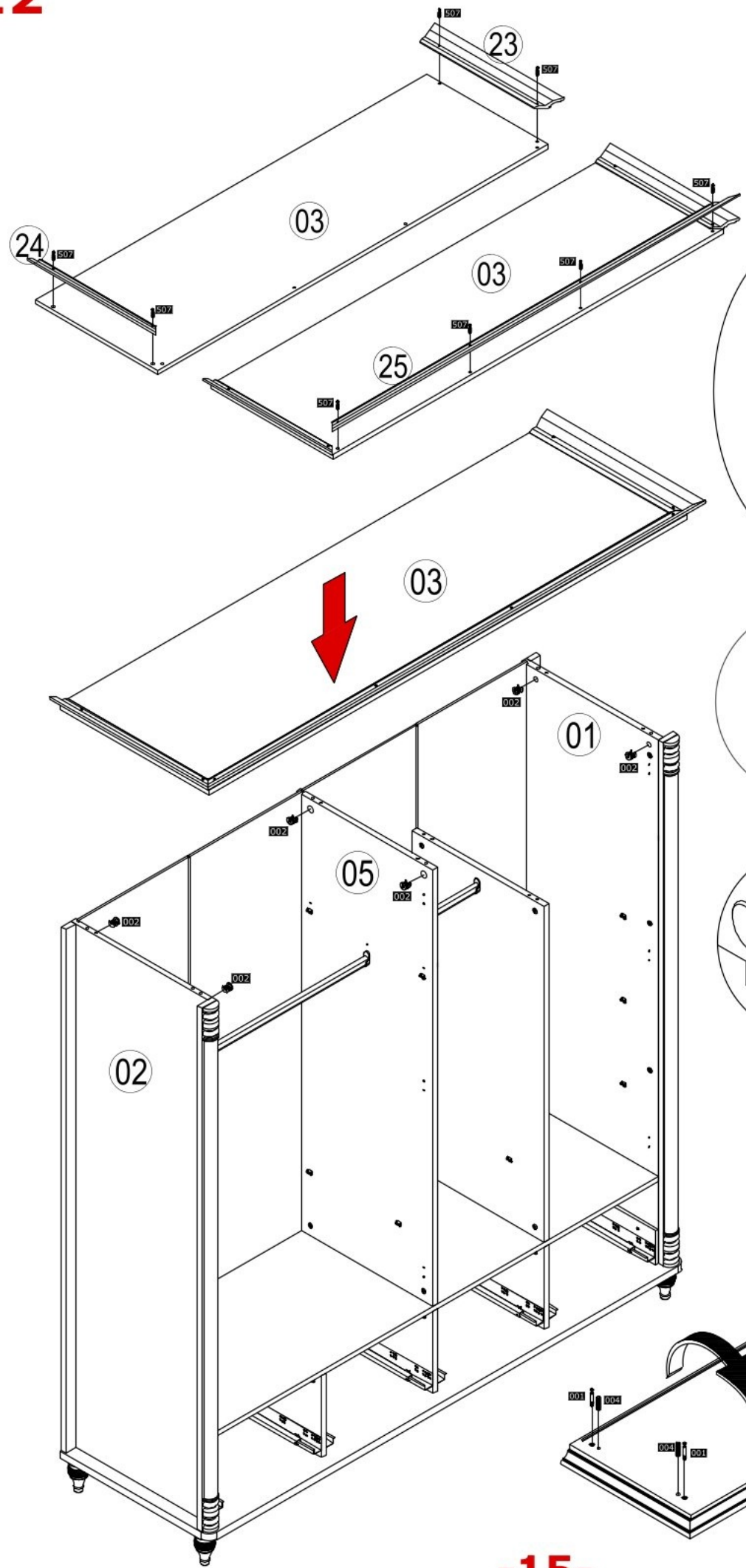


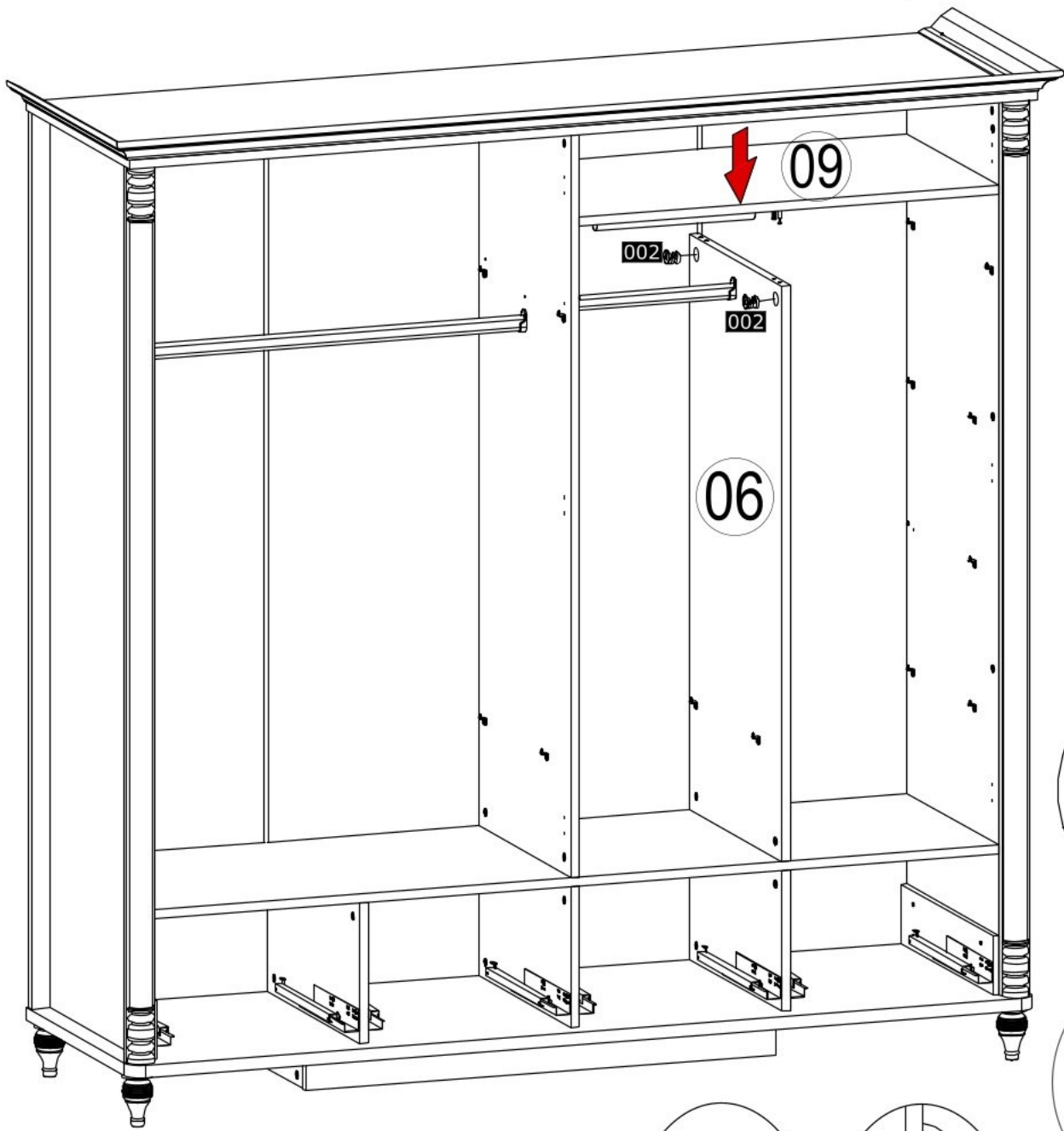




- 200  28x
- 119  28x
- 012  4x







020

605

2x

1x

094

3x

002

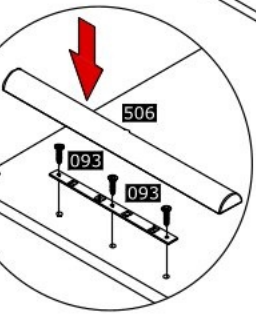
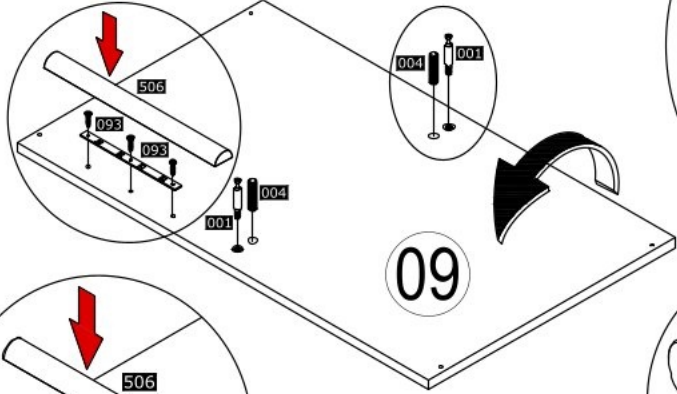
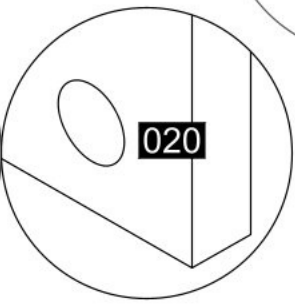
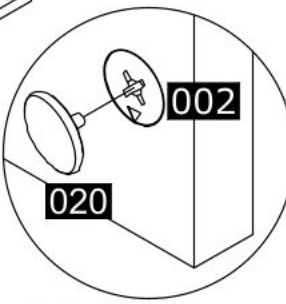
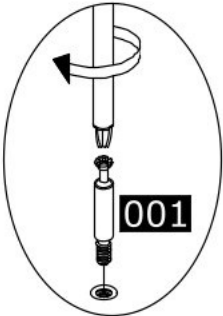
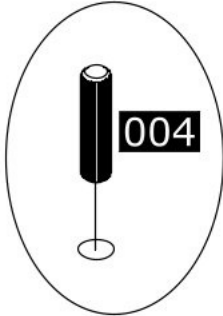
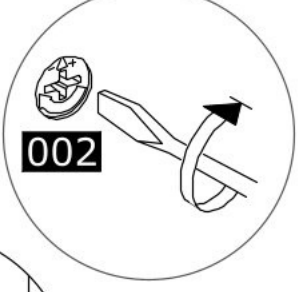
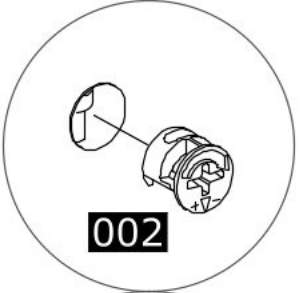
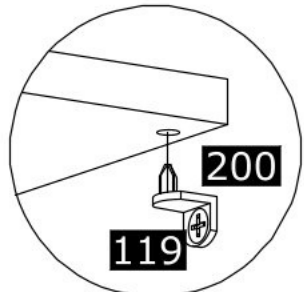
2x

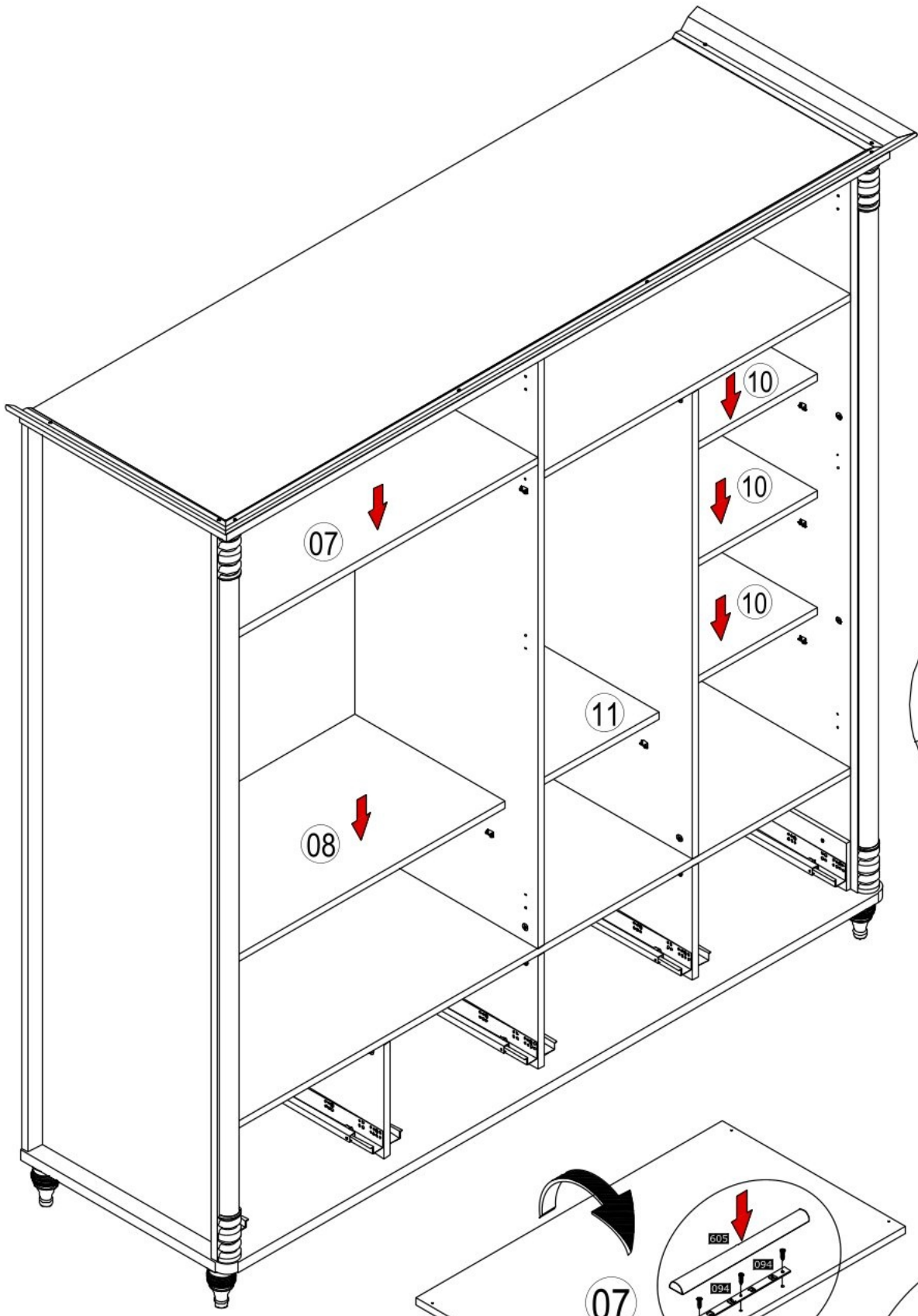
001

2x

004

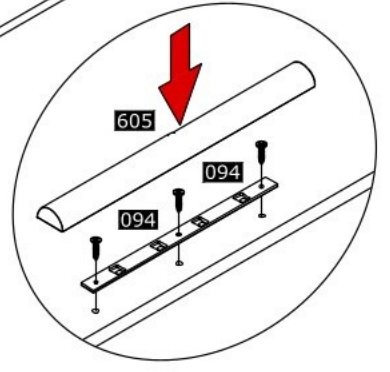
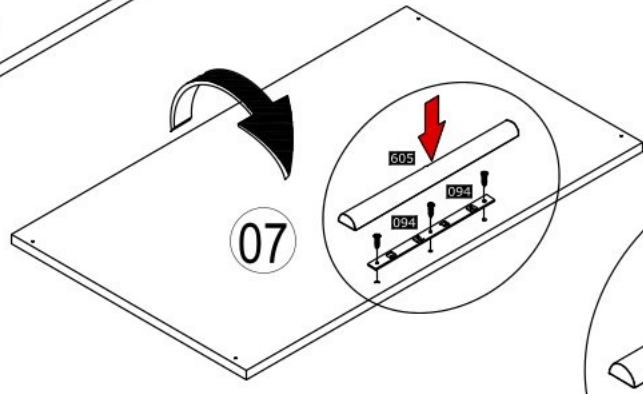
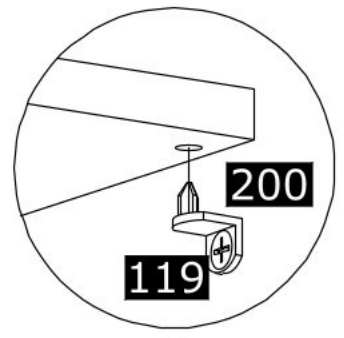
2x



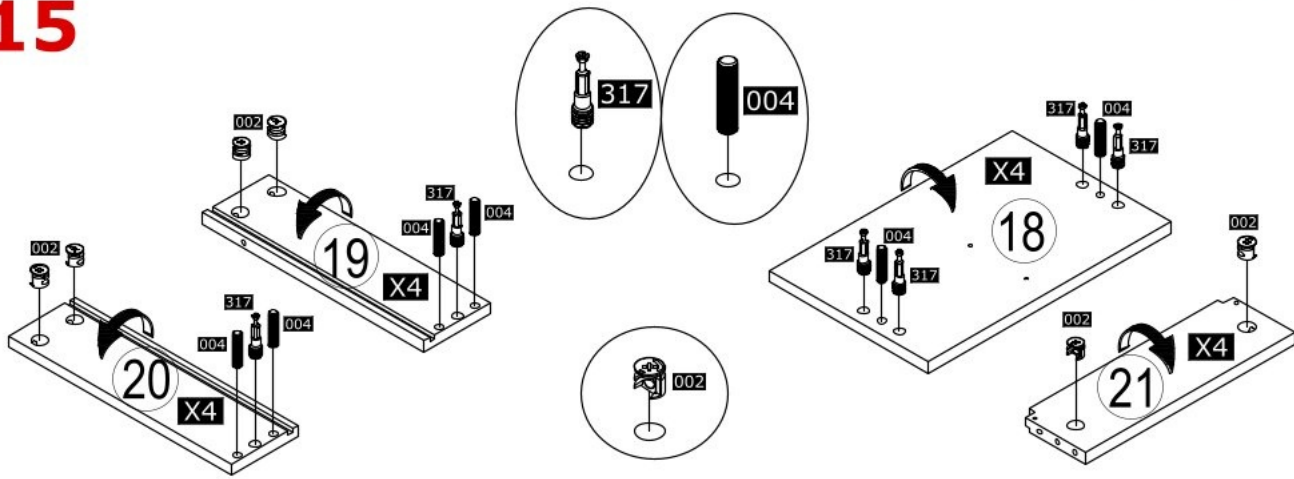


605 1x

094 3x



15



002



24x

317



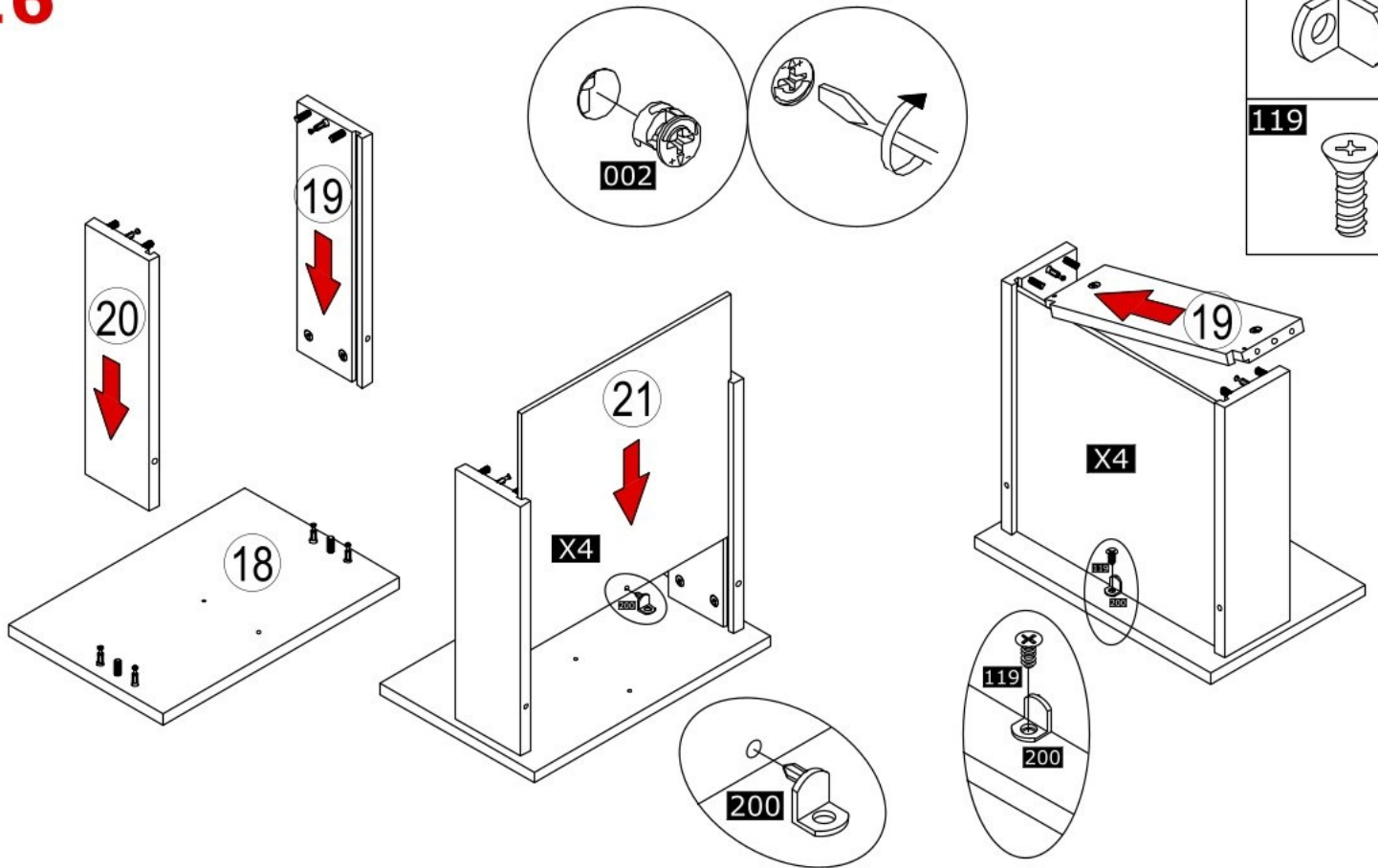
24x

004



24x

16



200



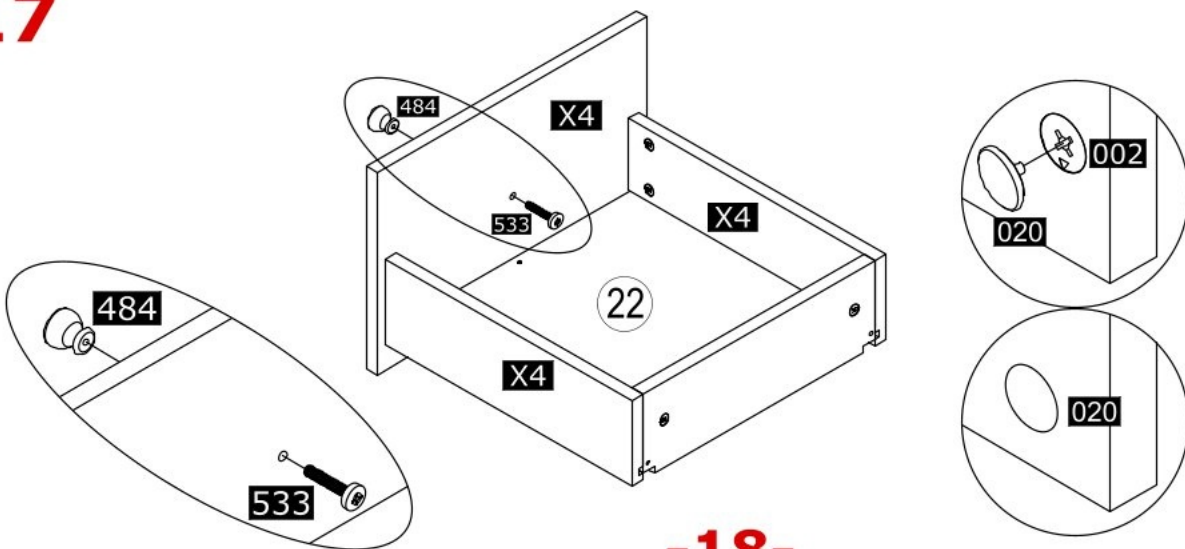
4x

119



4x

17



484



4x

533

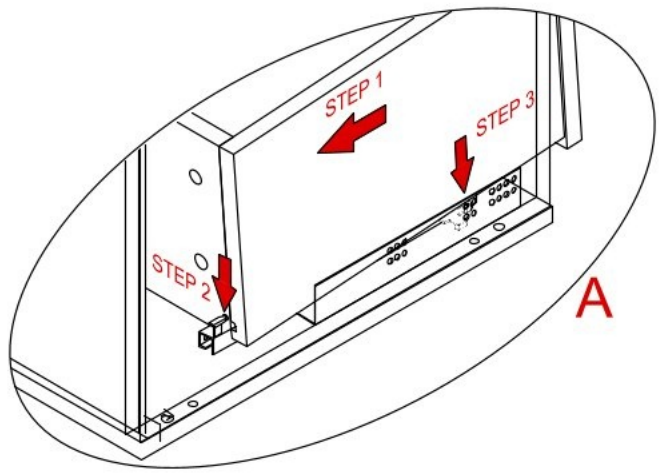
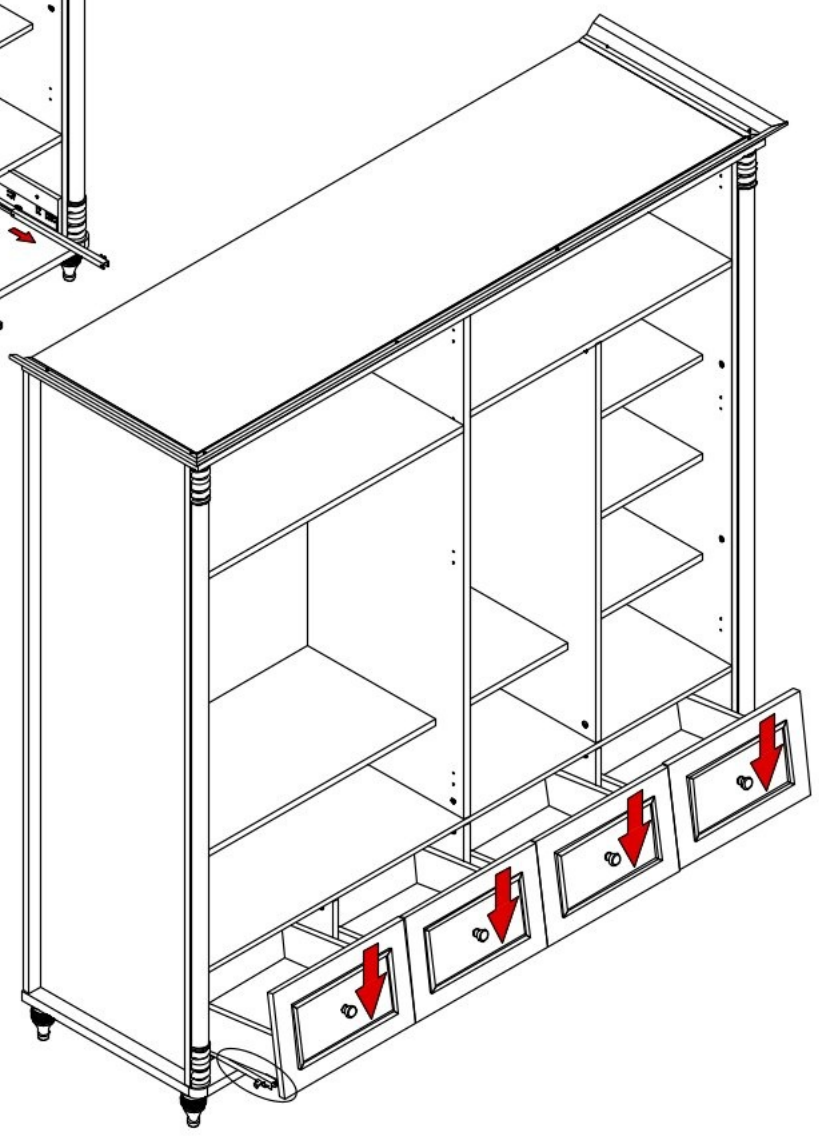
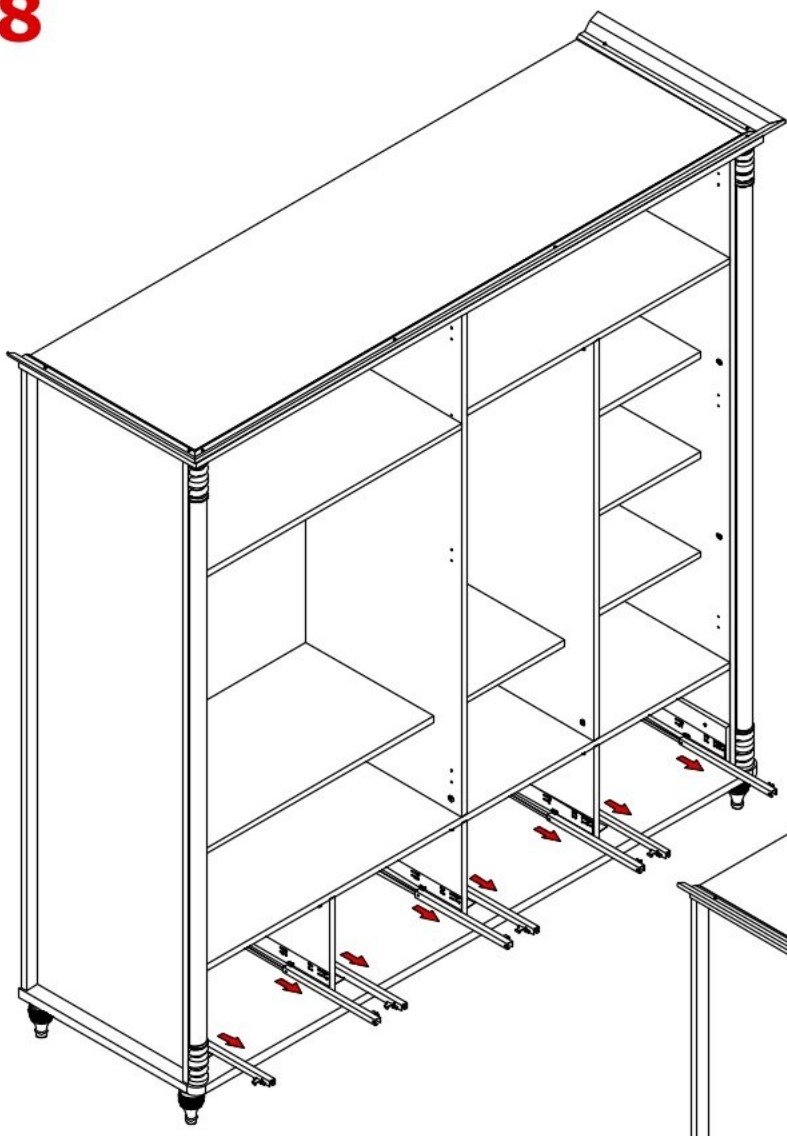


4x

020



16x

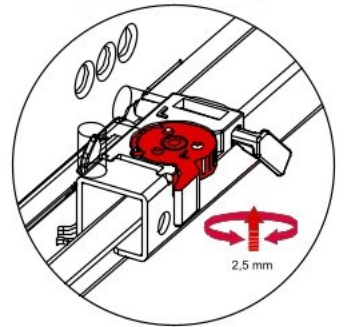
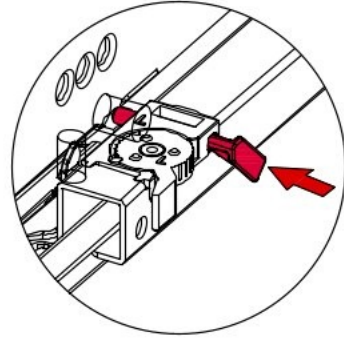
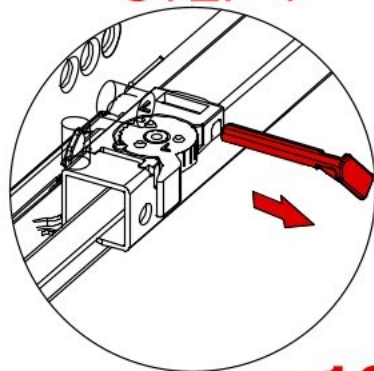
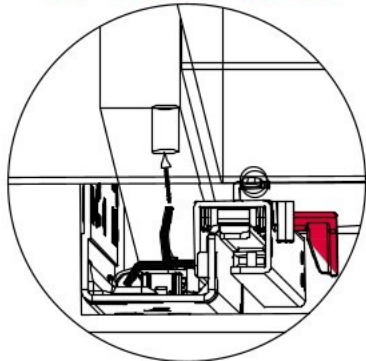


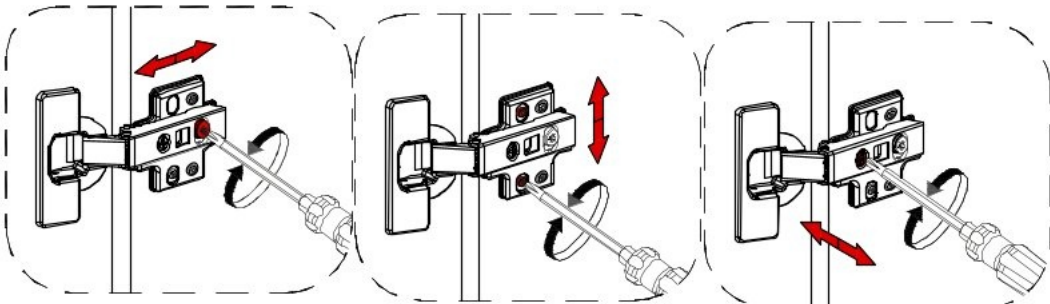
STEP 2-3



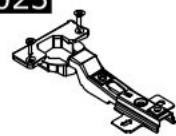
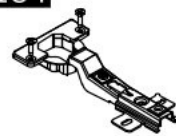
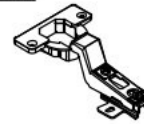


STEP 4

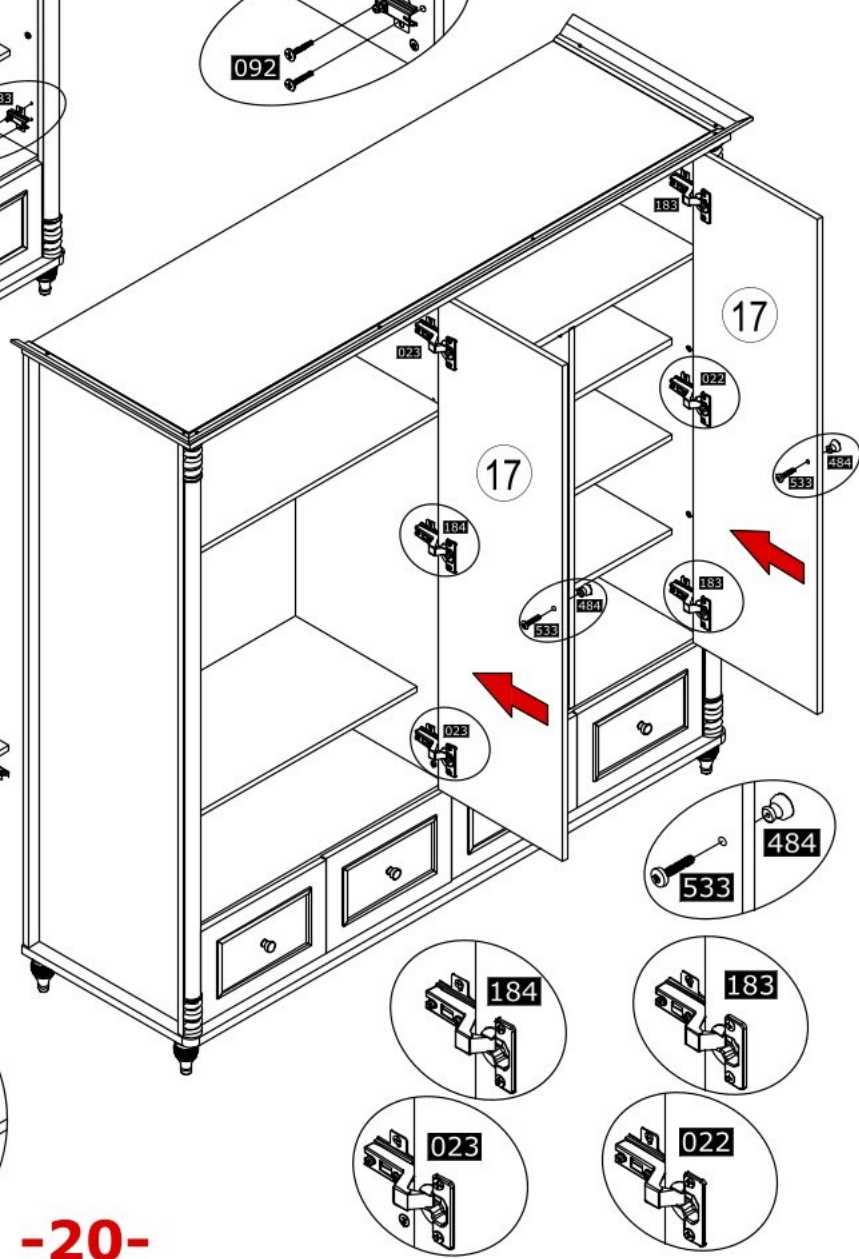
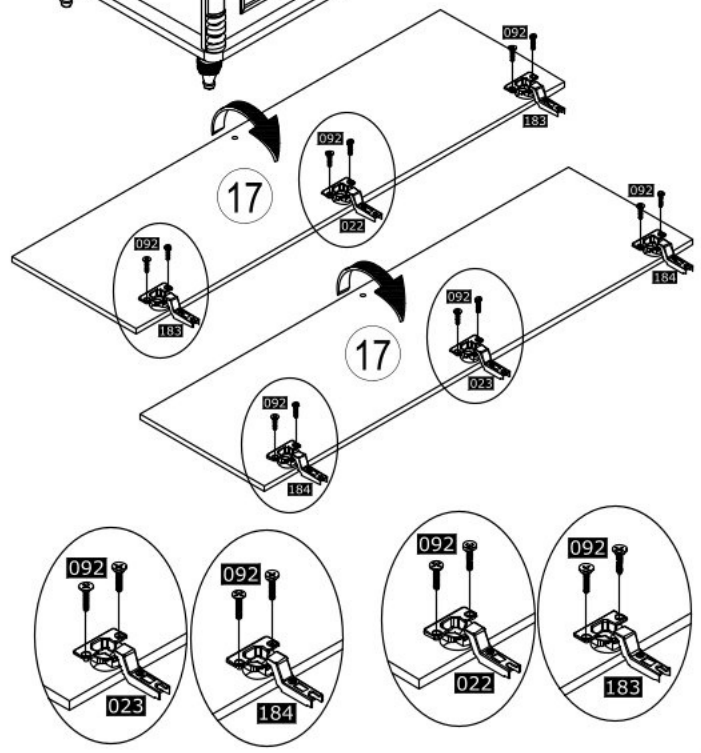
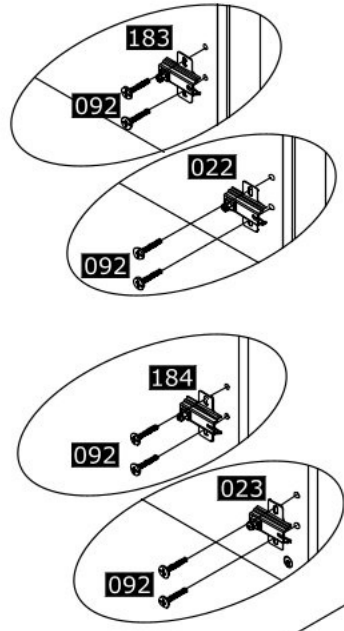
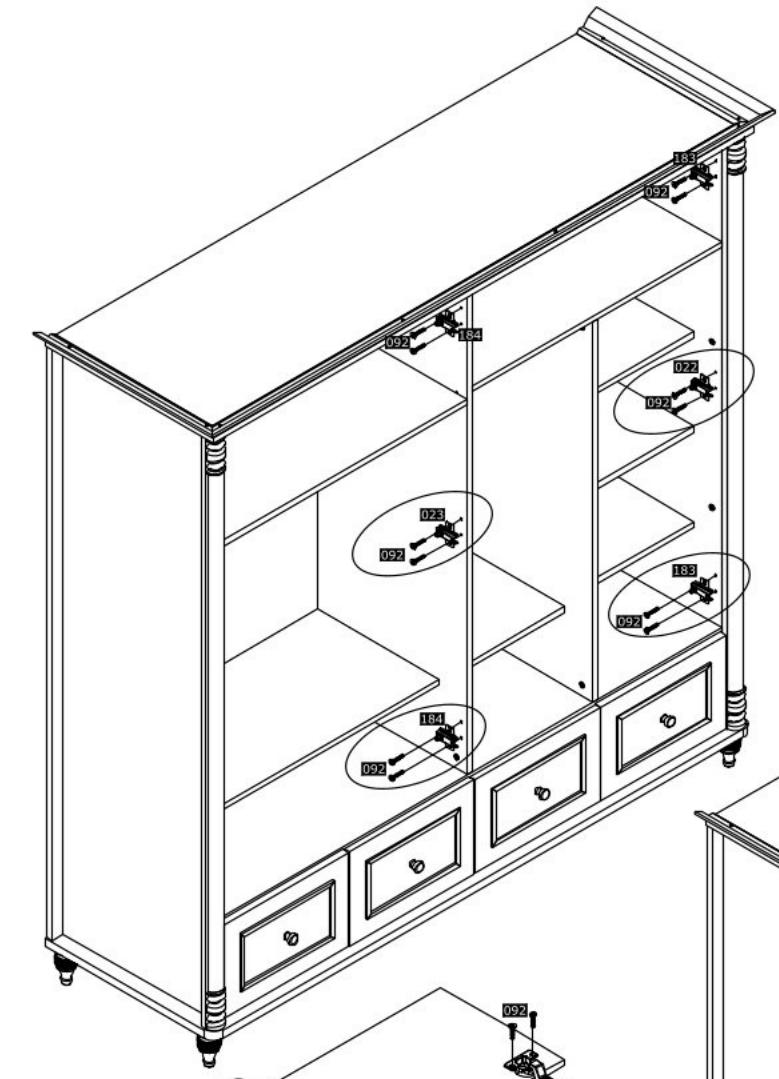
STEP 5

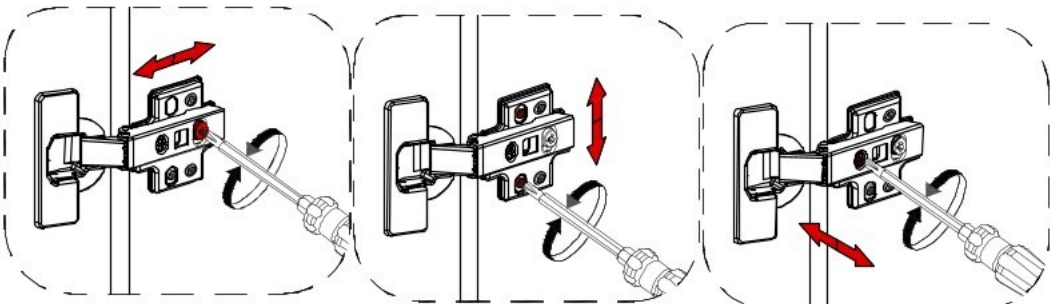
STEP 6


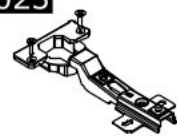

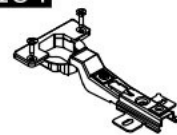
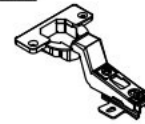
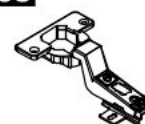





- 484**  2x
- 533**  2x
- 023**  1x
- 184**  2x
- 022**  1x
- 183**  2x
- 092**  24x





<p>484</p>  <p>2x</p>	<p>023</p>  <p>1x</p>
<p>533</p>  <p>2x</p>	<p>184</p>  <p>2x</p>
<p>022</p>  <p>1x</p>	
<p>183</p>  <p>2x</p>	
<p>092</p>  <p>24x</p>	

