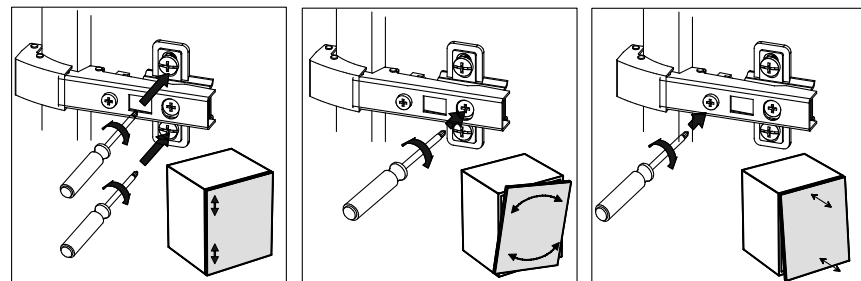
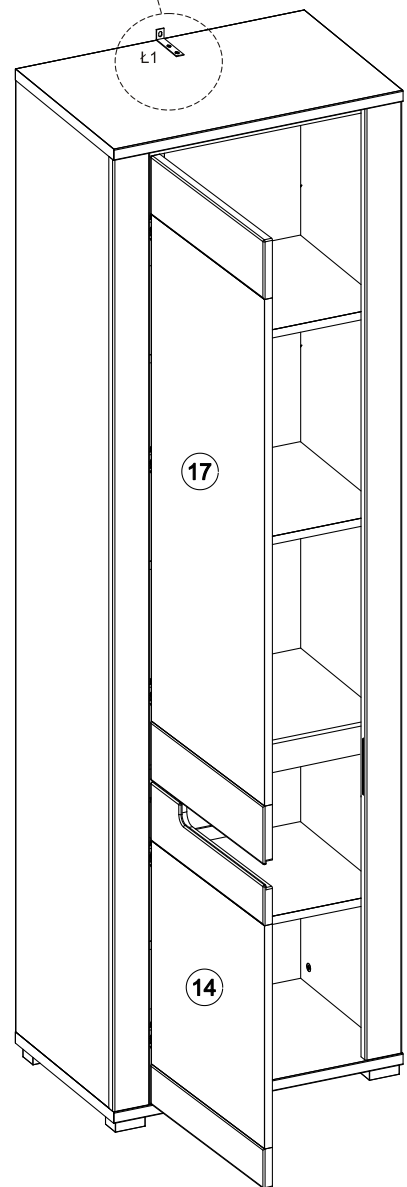
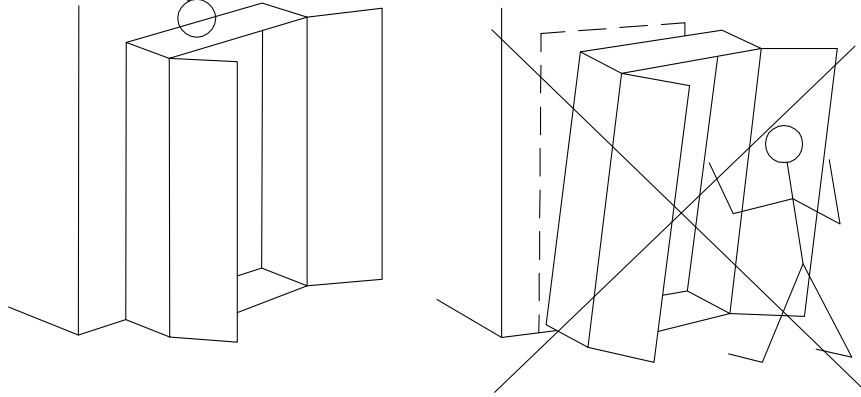
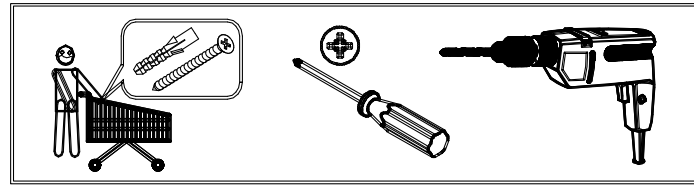
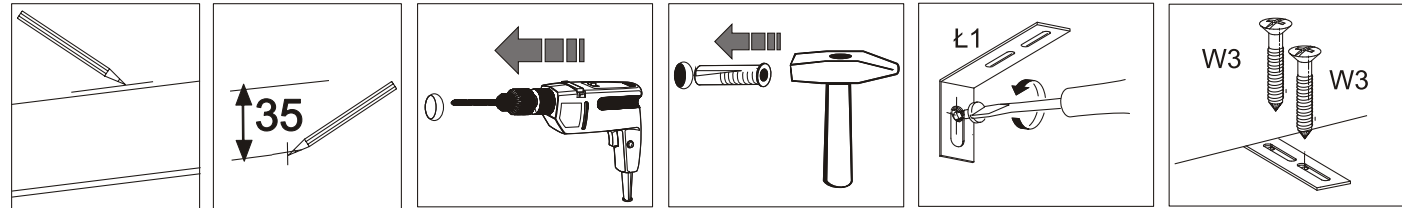
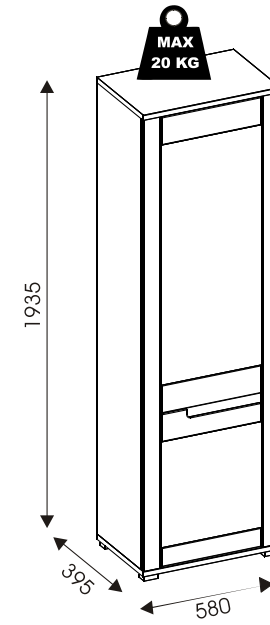
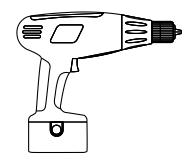
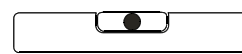
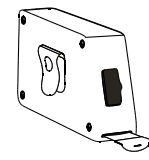
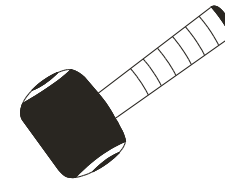
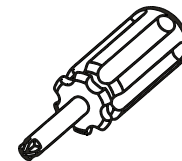
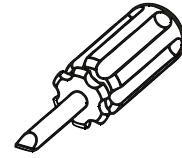
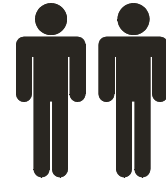


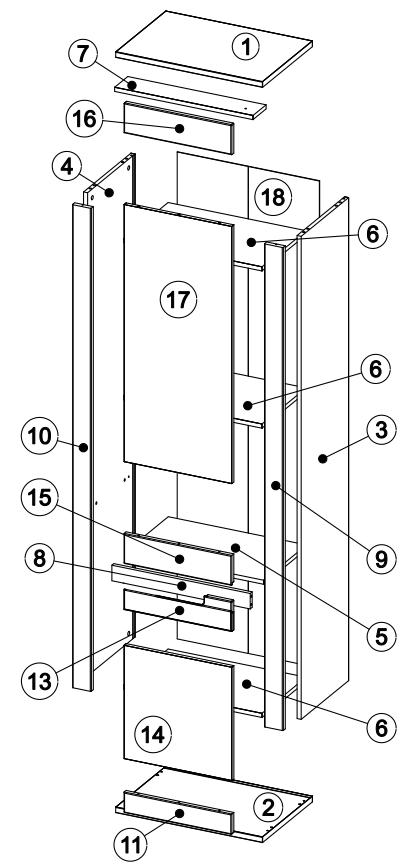
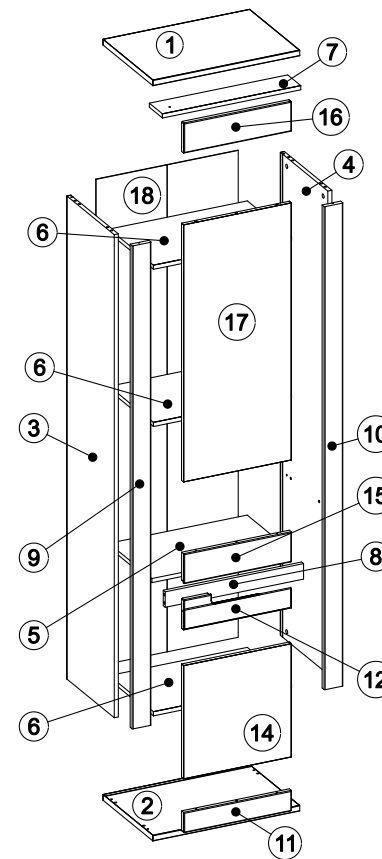
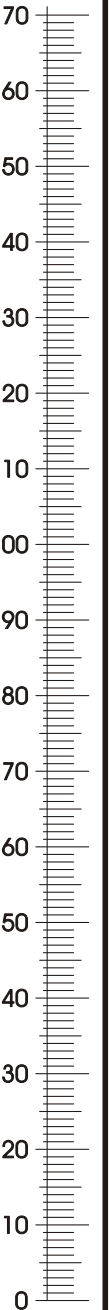
15



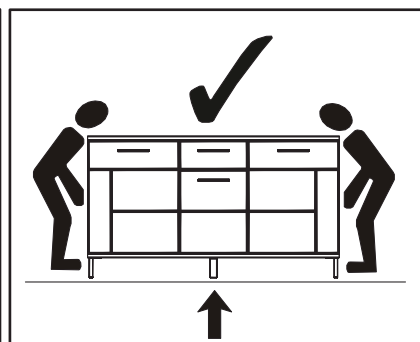
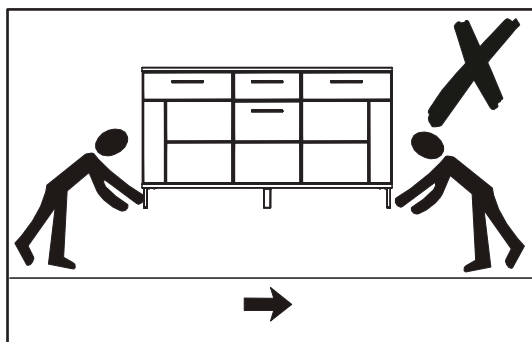
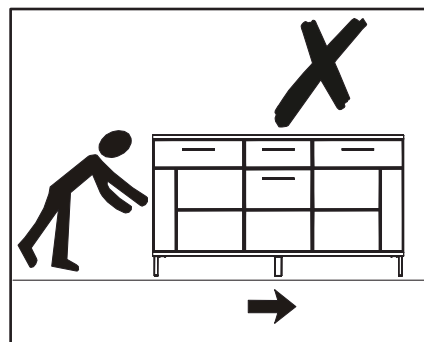
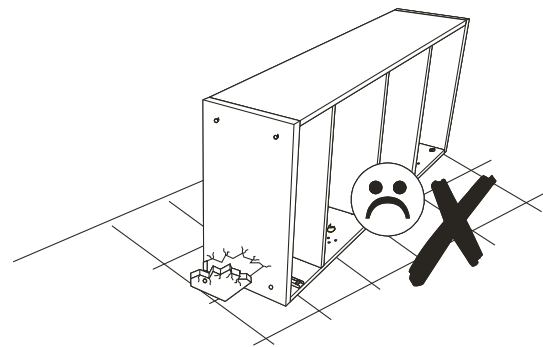
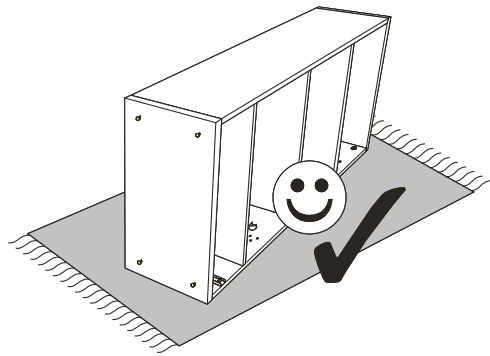
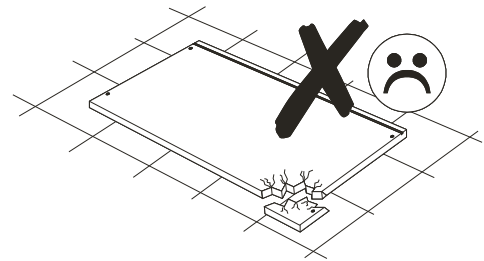
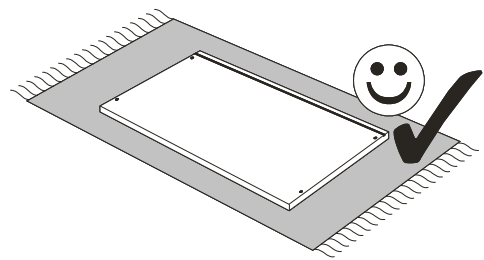
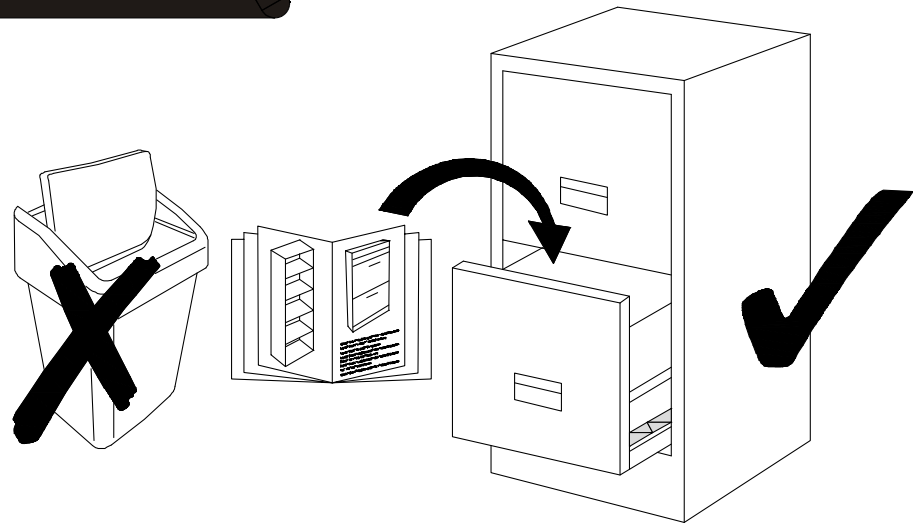
MODELL: Y6



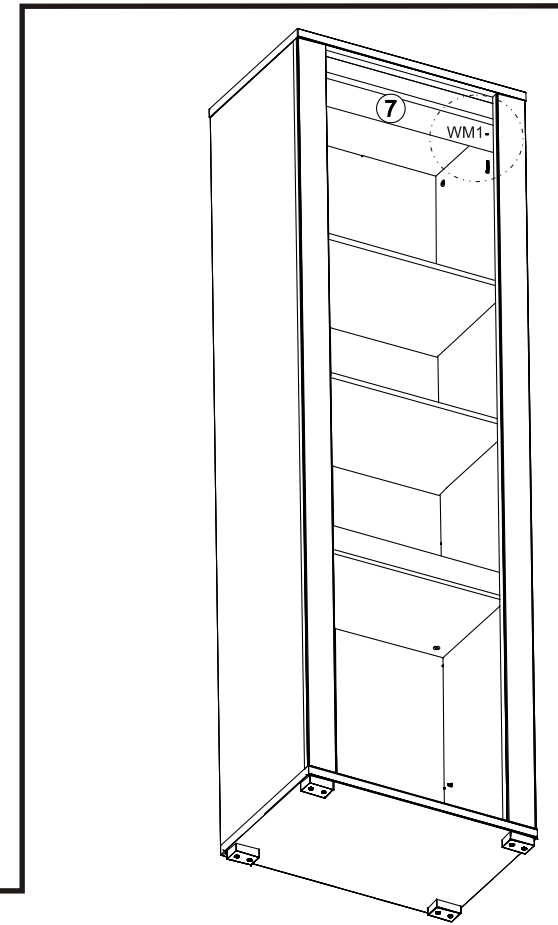
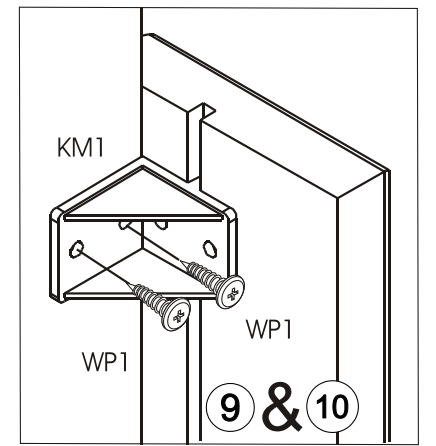
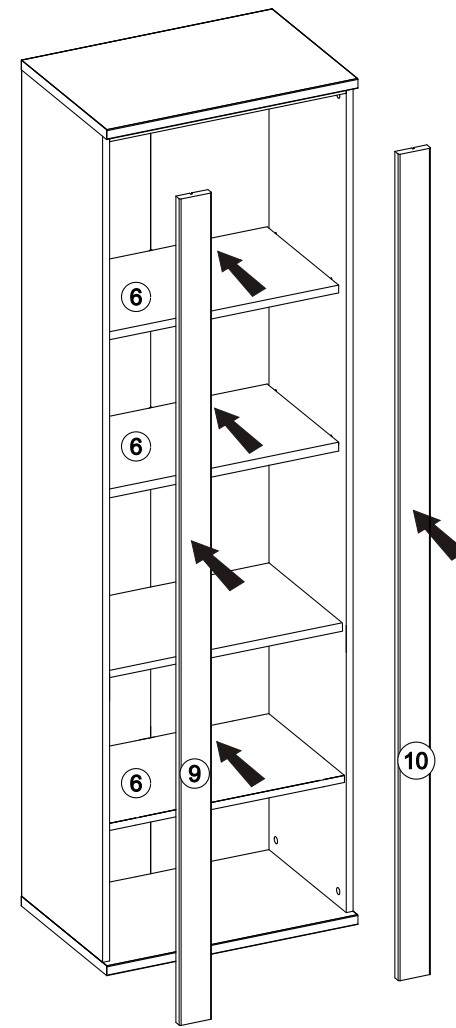
18	1886x562	2/3
17	996x426	3/3
16	426x116	3/3
15	426x116	3/3
14	439x426	3/3
13	426x116	3/3
12	426x116	3/3
11	426x79	3/3
10	1871x74	2/3
9	1871x74	2/3
8	547x60	2/3
7	547x104	2/3
6	546x350	1/3
5	547x341	1/3
4	1871x375	2/3
3	1871x375	2/3
2	580x396	1/3
1	580x396	1/3



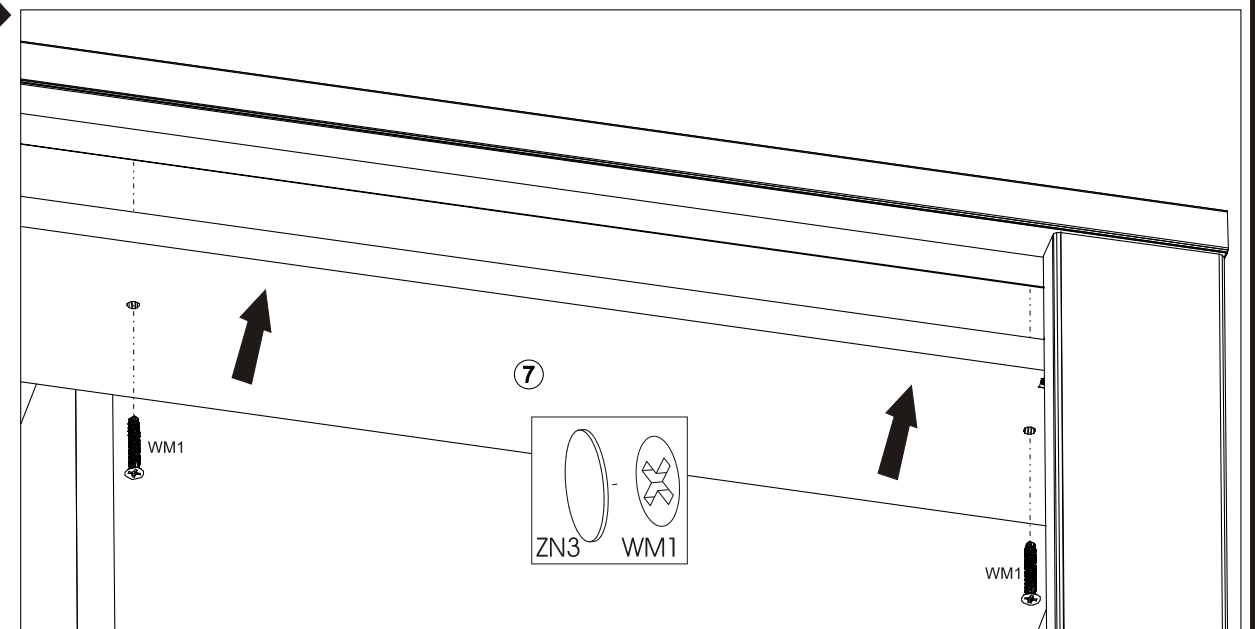
1x Z10	1x L1							
6x 4x16 WP3	2x 4x30 WM1	12x B1	14x ST1	40x 3.5x16 WP1	14x 3x20 W9	2x #14/863 ZN3	4x N1	14x 3.5x16 W3
24x #20/863 ZN1	16x 8x30 K1	5x H=2 PR2	5x Z90	24x #15/15 M1	24x DU232T T1	10x KM1	3x 2x20 G1	8x 5x20 E8



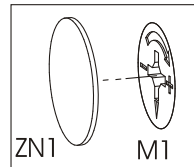
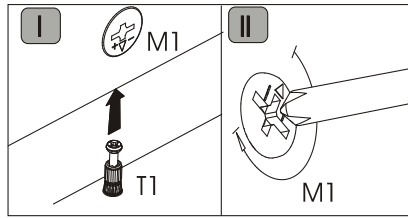
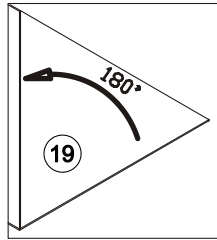
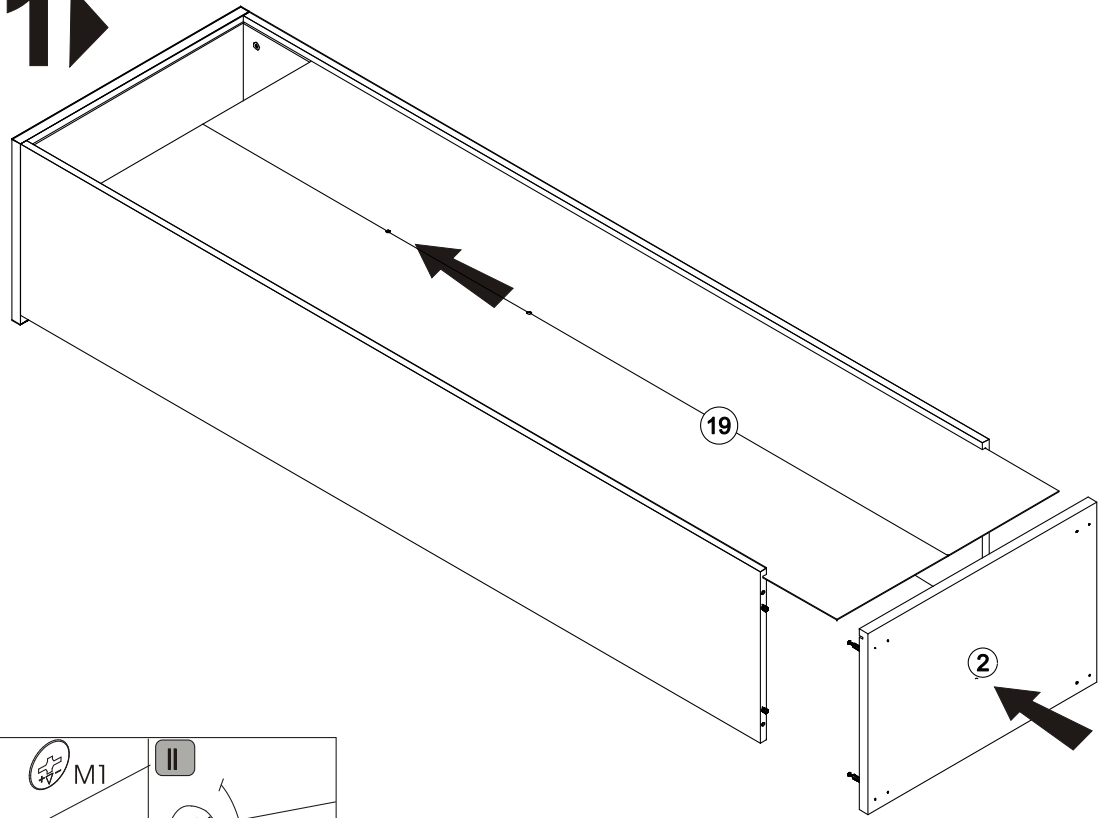
13



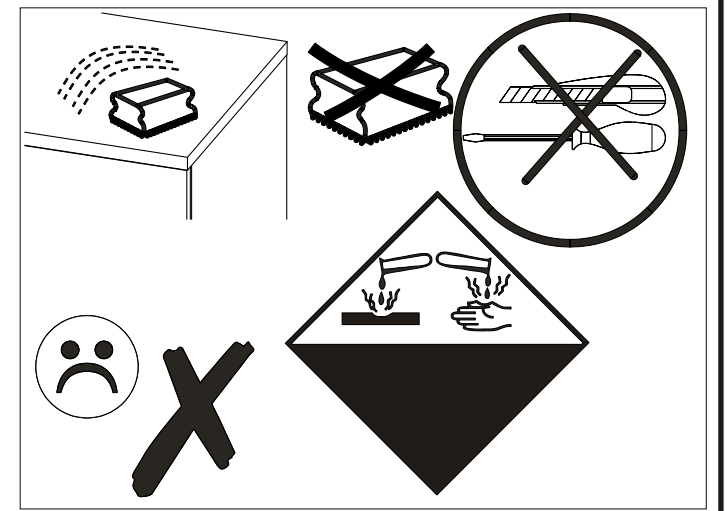
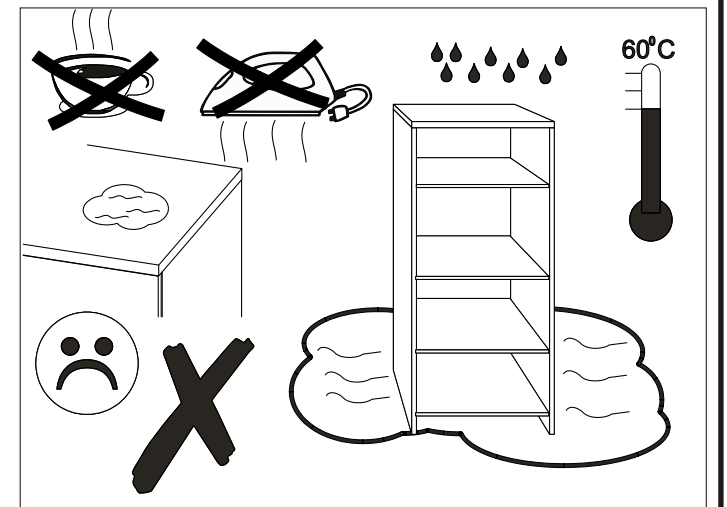
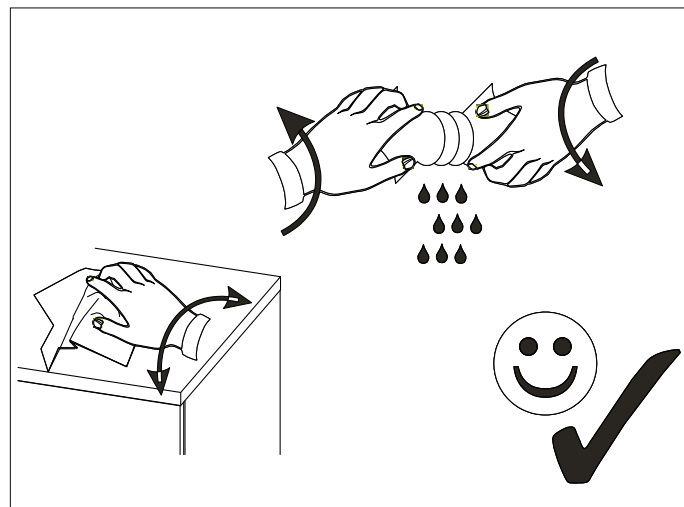
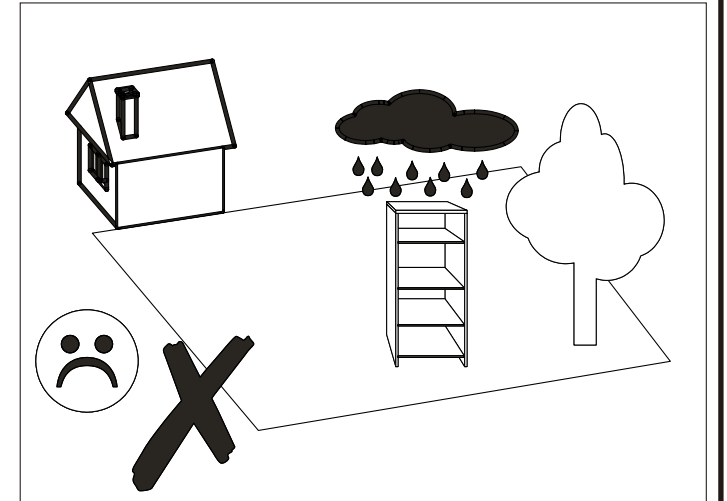
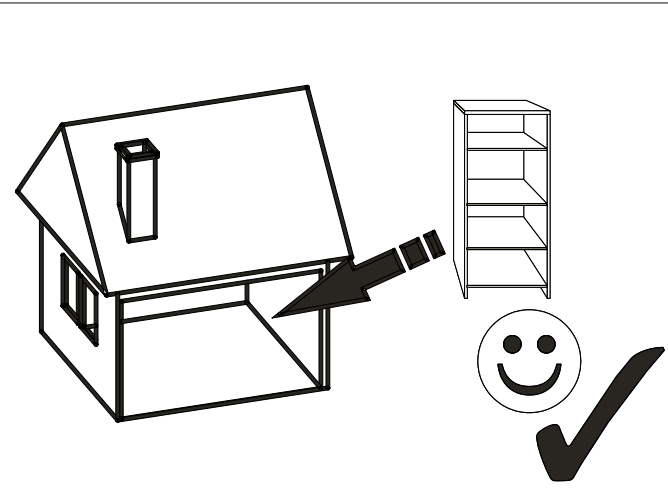
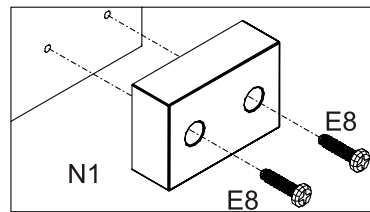
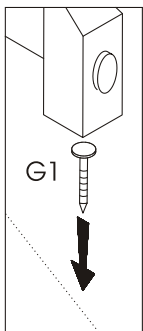
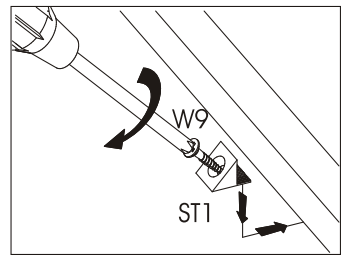
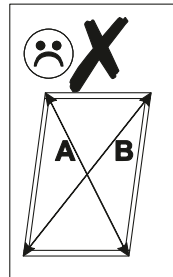
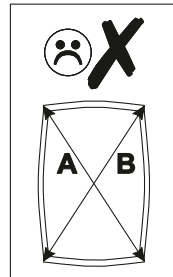
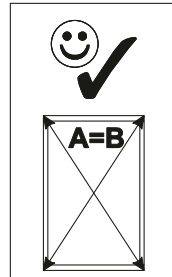
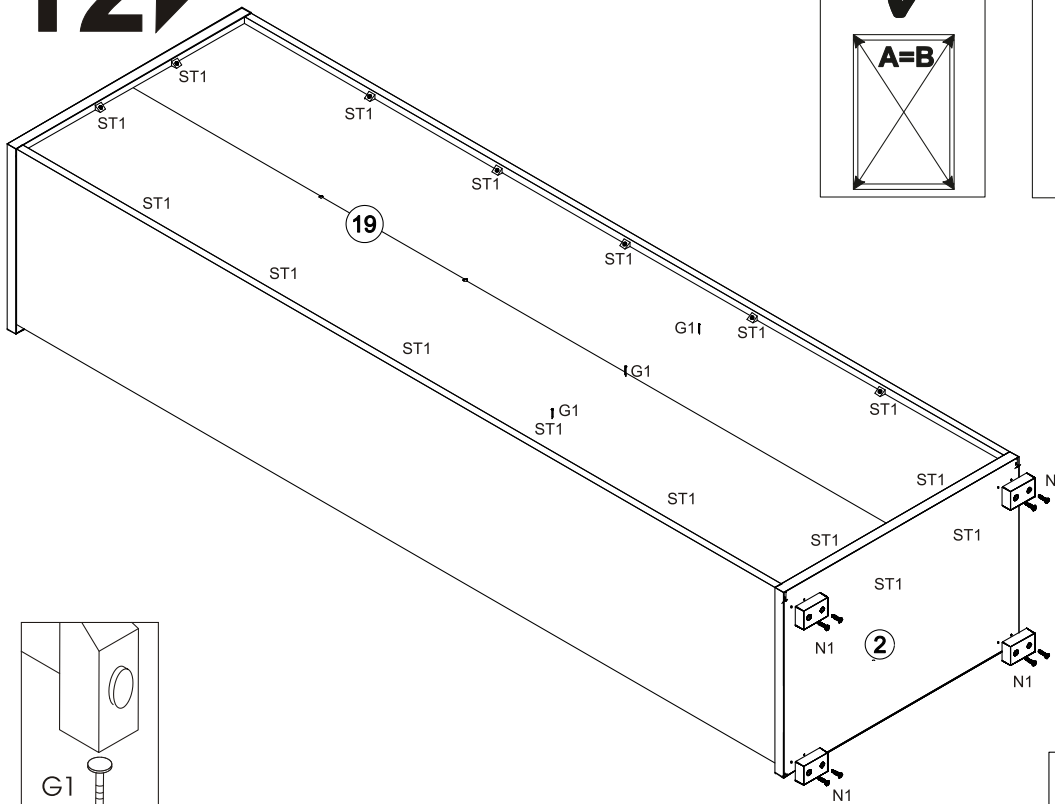
14

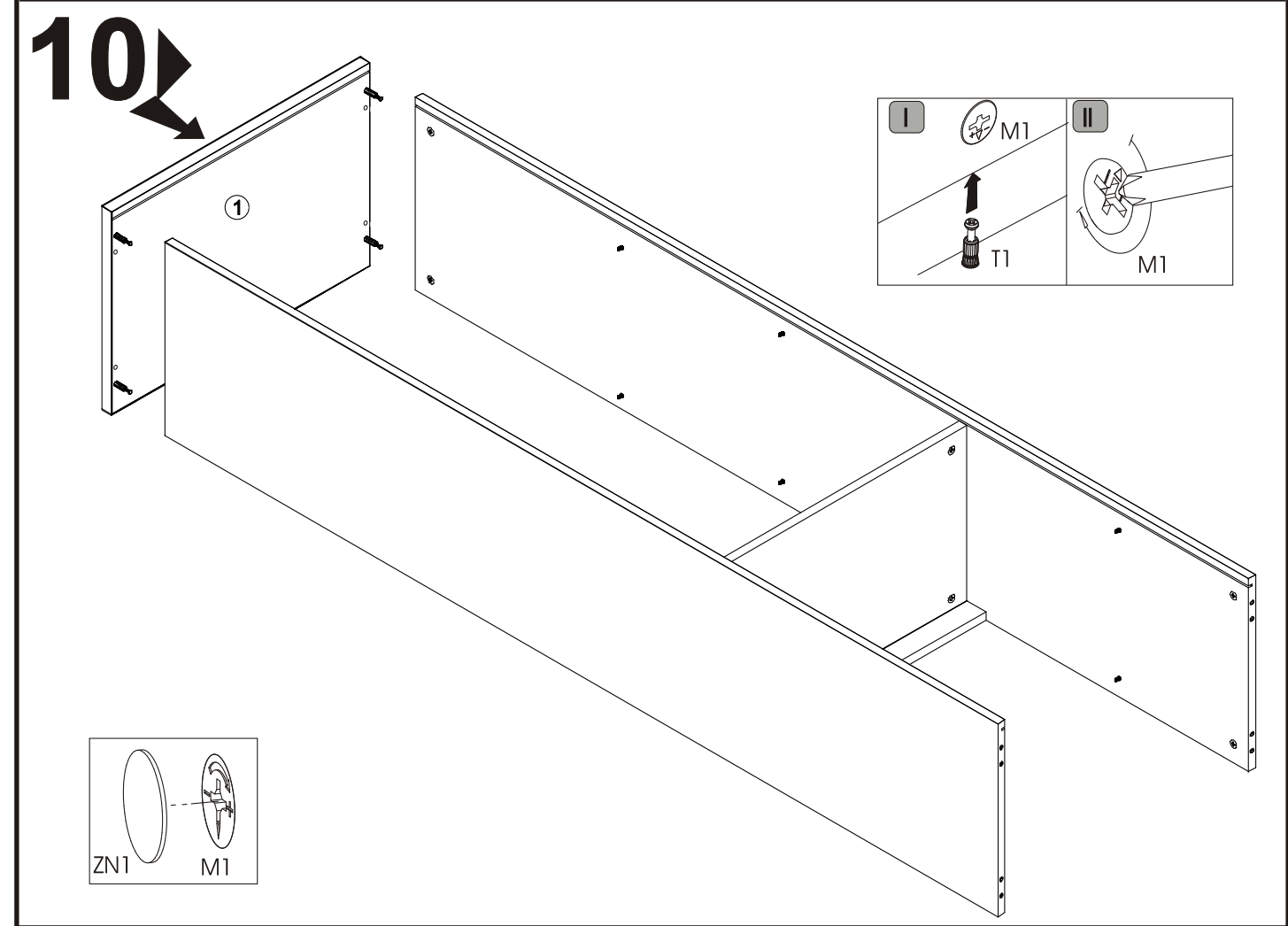
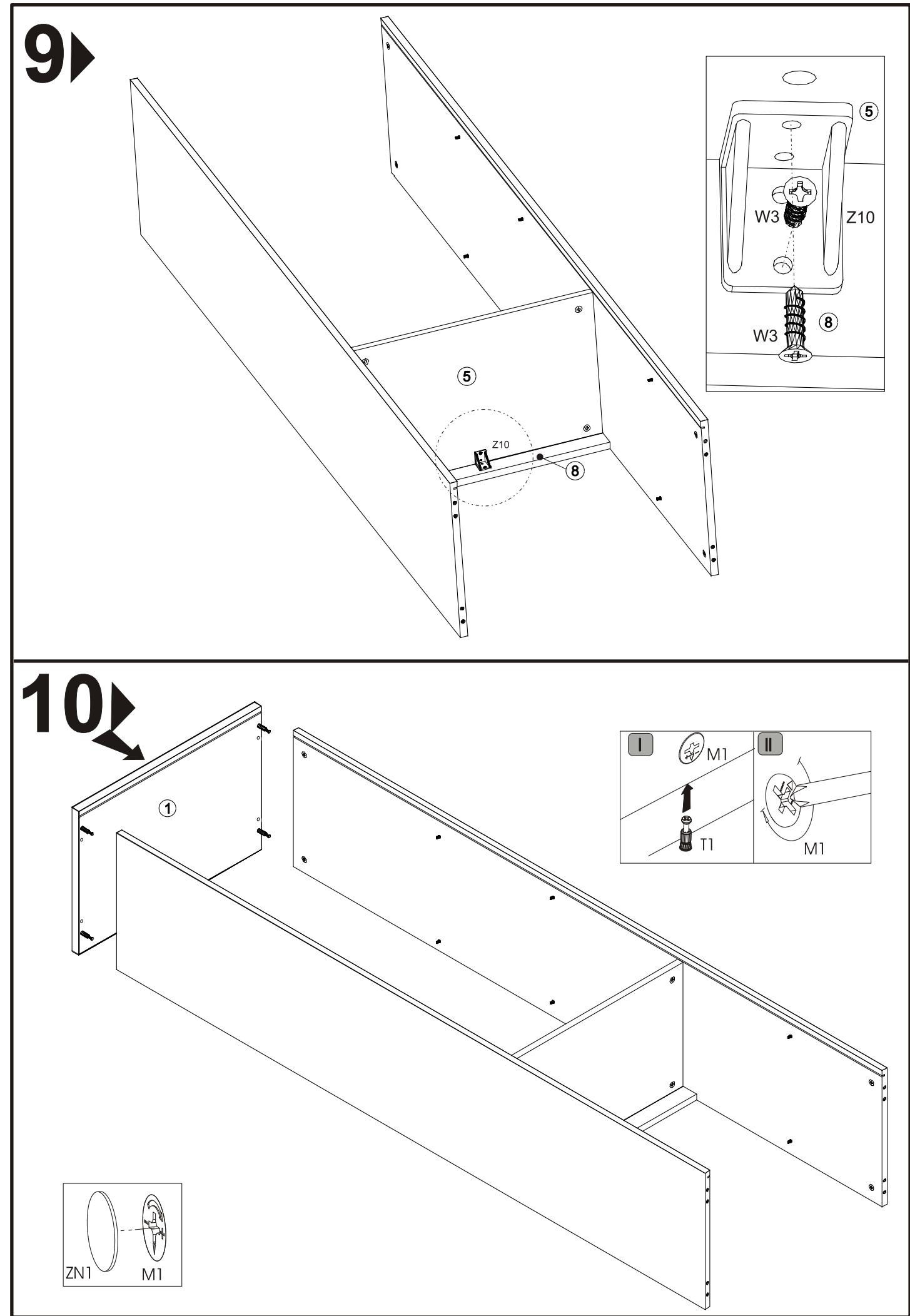
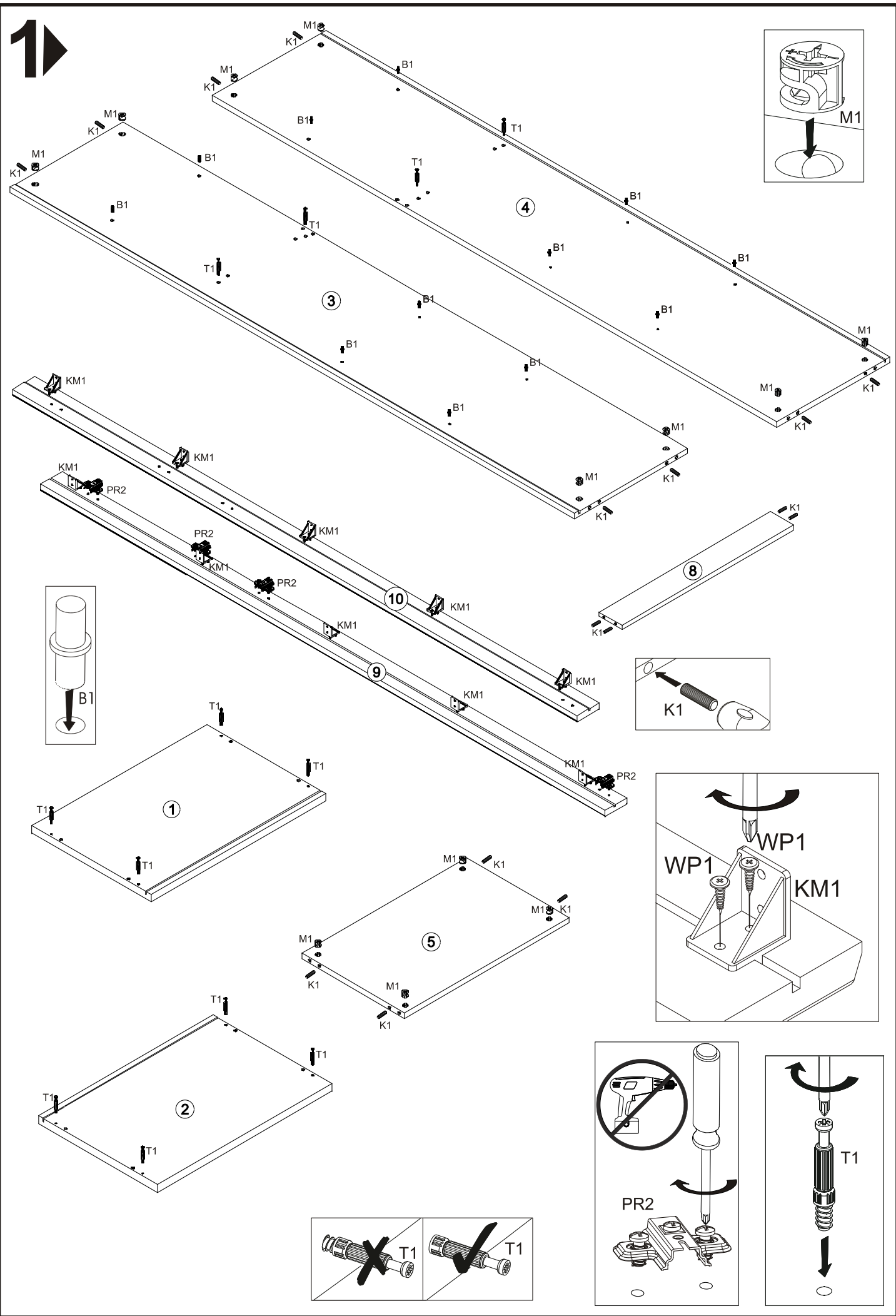


11▶

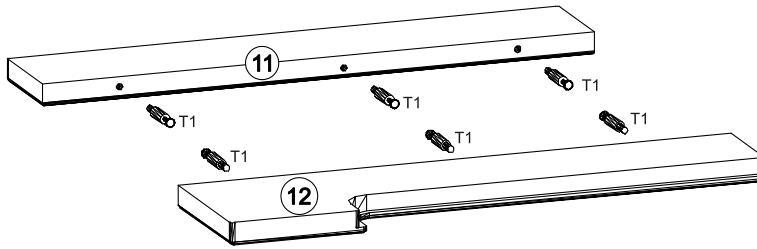


12▶

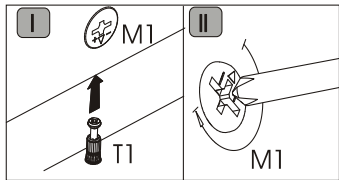
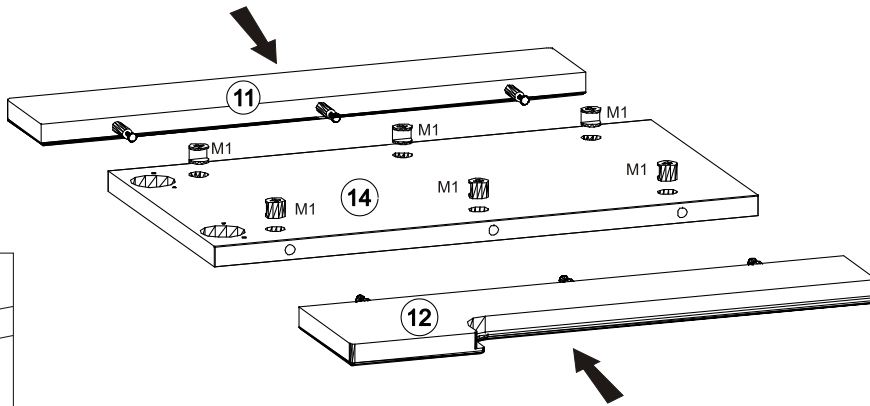
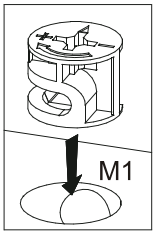




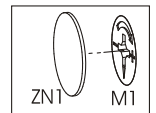
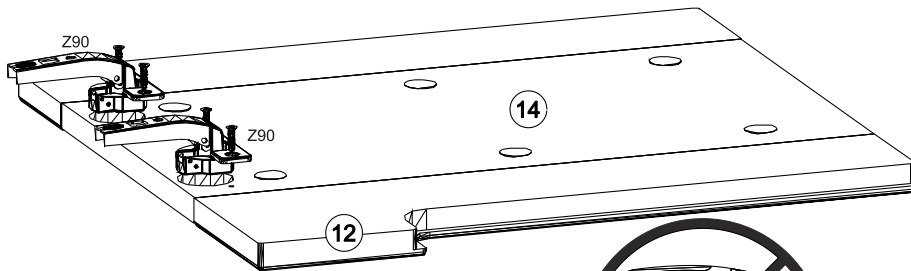
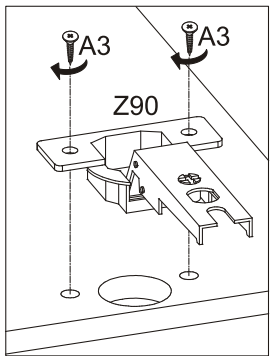
2



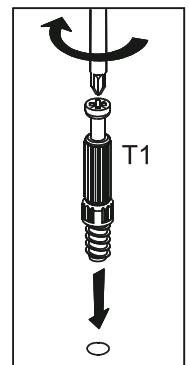
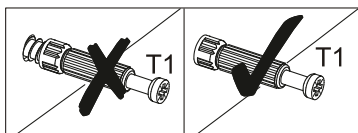
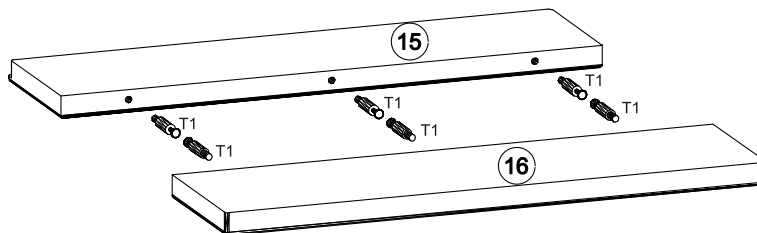
3



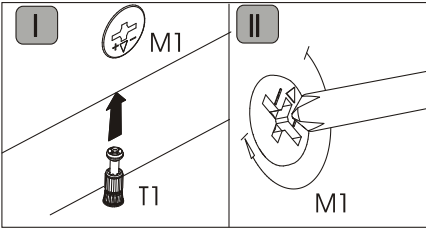
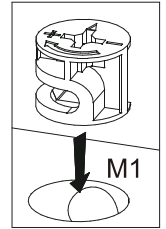
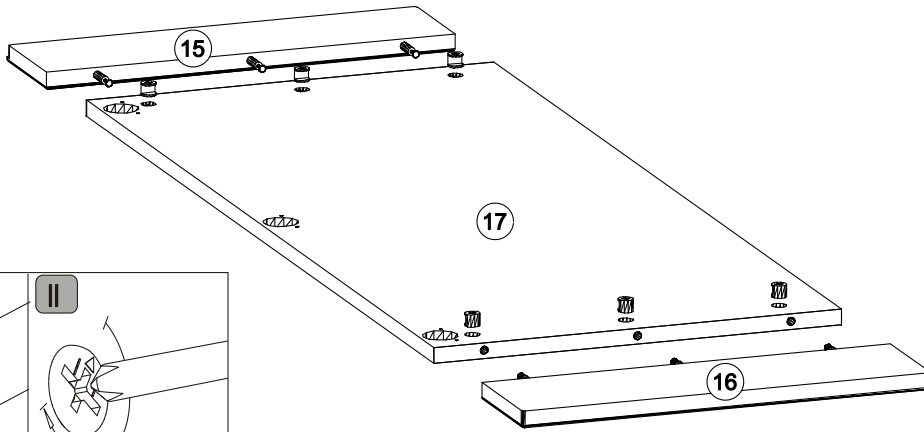
4



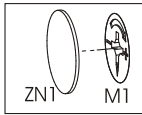
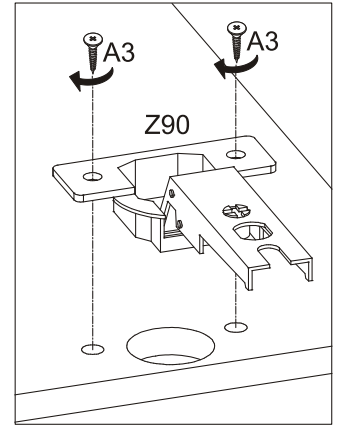
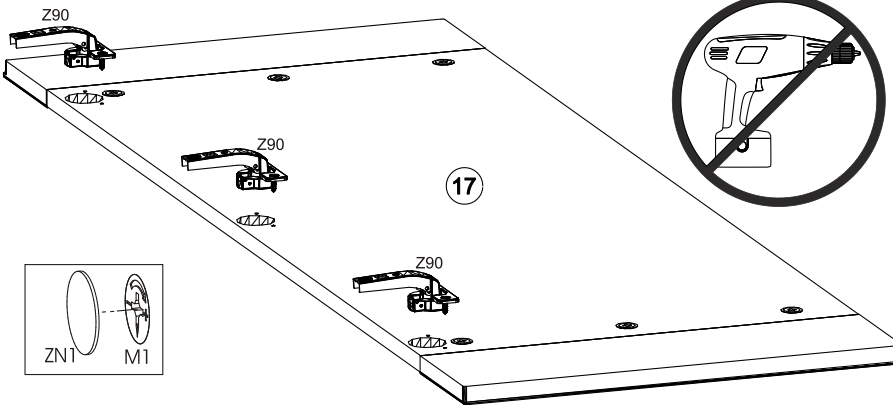
5



6



7



8

